

OFFICE PARTITIONS

NEW SERIES 487-AR OFFICE PARTITIONS REDUCED SOUND TRANSMISSION



or



- Single and Double Door Frames Designed to Wrap 4-7/8" (124 mm) Walls
- Optional Mounting for Walls Greater Than 4-7/8" (124 mm)
- Clip Joinery
- 1-1/2" (38 mm) Face Trim Available
- Available in Individual Stock Lengths or Fully Fabricated Frame Kits
- Several Stock Finishes Available, With Custom Finishes on Request
- Low Noise Transmission
- Suitable for Division 10 Specifications



The acoustically-rated **487-AR Double Glazed Office Partition System** offers an optimal STC rating compared to traditional office partition systems. This reduces sound transmission while allowing ample natural light to flow through building interiors. The 487-AR Double Glazed Office Partition accommodates standard and acoustic doors, along with a variety of glass, including switchable privacy glass.

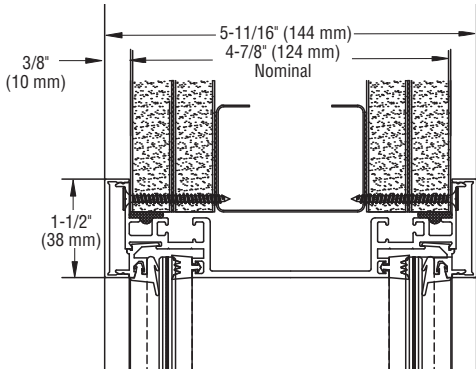
CRL-U.S. Aluminum offers a variety of Office Partition Hardware to make state-of-the-art interior office systems available to the glazing industry. Our commitment to our customers is to carry sufficient inventories of popular stock items, and provide short lead times for special orders. It is a total program that will allow your entry into the Interior Office Front Systems market.

For additional information, visit us online at crlaurence.com/partitions or contact our Technical Sales Department at (800) 421-6144 in the U.S., (877) 421-6144 from Canada, or (323) 588-1281 International. Ask for Ext. 7770. You can also email us at partitions@crlaurence.com.

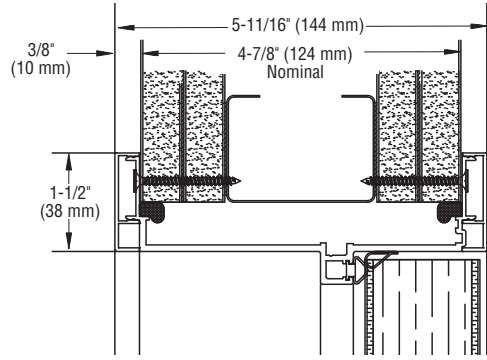
CRL
US ALUMINUM
crlaurence.com • usalum.com
crl-arch.com

US ALUMINUM

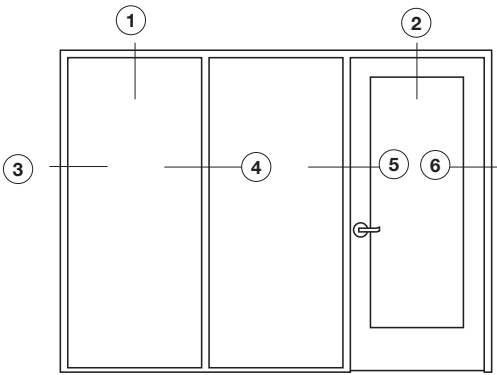
SERIES 487-AR OFFICE PARTITION SYSTEM TYPICAL DETAILS



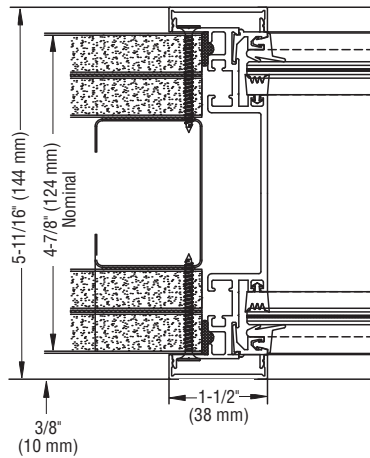
① Fixed Glazing Header



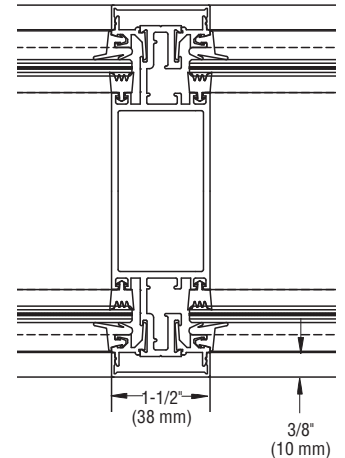
② Door Header



Typical Elevation



③ Wall Jamb



④ Intermediate Vertical

487-AR STC Values

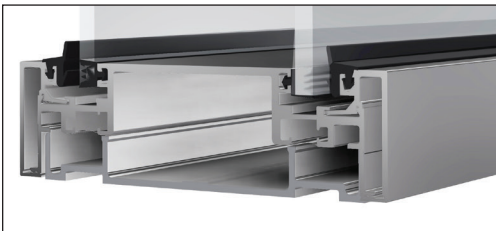
1/4" Monolithic/1/4" Monolithic - STC 39

1/4" Monolithic/1/4" Laminated - STC 46

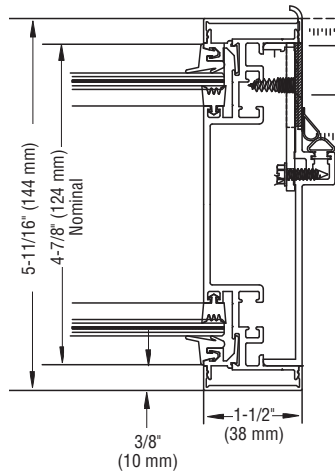
1/4" Laminated/3/8" Laminated - STC 47

(1/4" Laminated consists of 1/8"/.060 PVB/1/8")

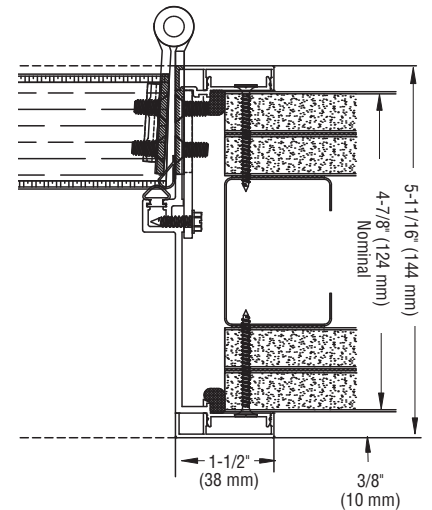
(3/8" Laminated consists of 3/16"/.060 PVB/3/16")



Double Glazed Frame for Optimal Acoustical Privacy



⑤ Strike Jamb with Sidelite



⑥ Hinge Jamb

NOT TO SCALE

AVDB4305_7/19