

WINDOWS

SERIES ET350 STRIP WINDOW

COST EFFECTIVE HIGH PERFORMANCE

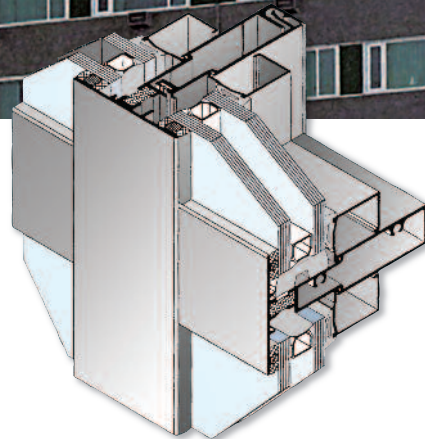


US ALUMINUM



CRL
US ALUMINUM
usalum.com • crlaurence.com
crl-arch.com

- Thermally Insulated-NFRC Certified
- U-Factors as Low as 0.33
- 3-1/2" (88.9 mm) Deep Frame
- 1" (25 mm) and 1/4" (6 mm) Glazing
- Screw Spline Assembly
- Ideal for Horizontal Strip Windows or Punched Openings and Can Accommodate Operable Windows
- Rainscreen Option
- Meets or Exceeds Highest Performance Levels of CSA Standards
- Non Thermally Broken ES350 Configuration Available



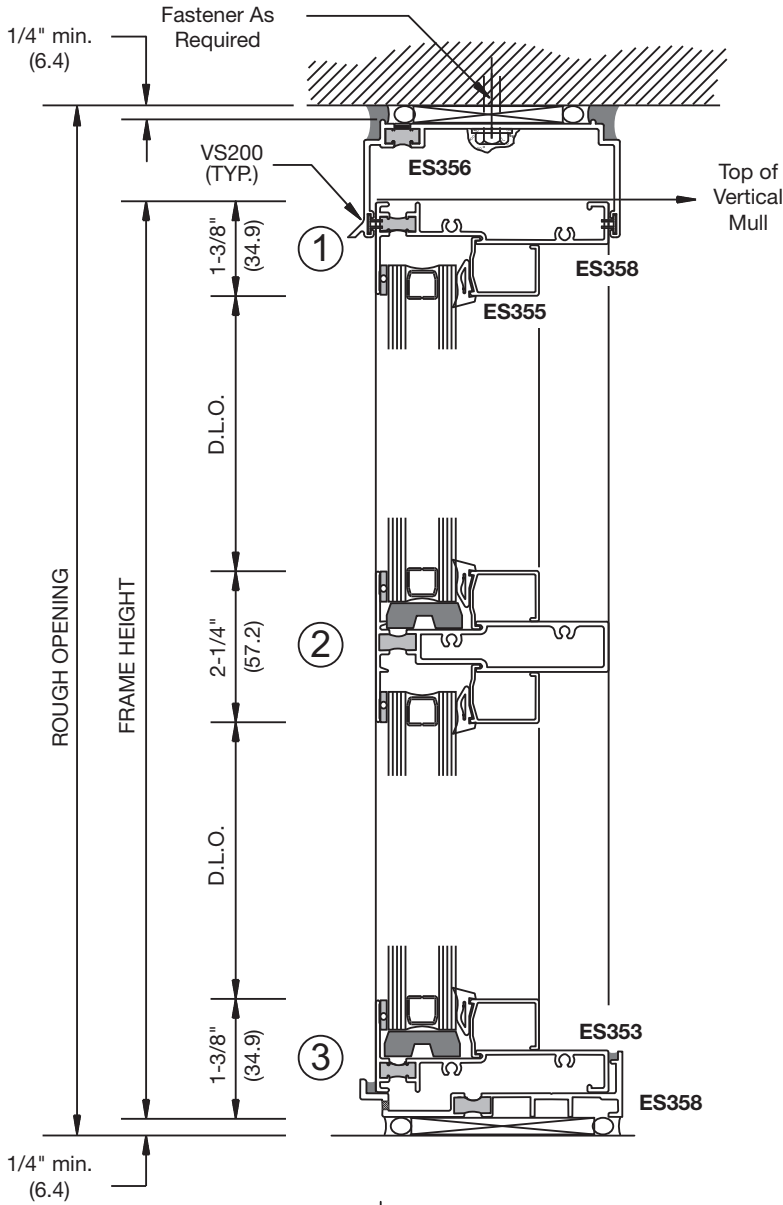
Interior View

Exterior View

The **Series ET350** offers a shallow face reveal that creates a flush exterior appearance. This system was designed for multi-panel strip window installation. It is interior glazed using exterior glazing tape and an interior wedge gasket. Pre-shimmed butyl glazing tape combines the quality of a butyl tape with the added longevity of the internal EPDM rod to resist squeeze out. The system also features simple joinery with overlapping flanges for economical construction and good weathering resistance.

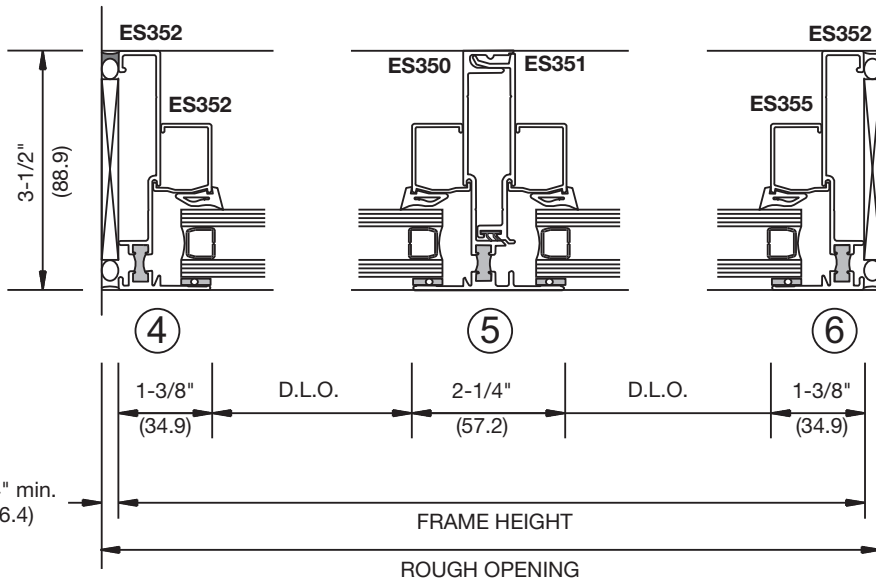
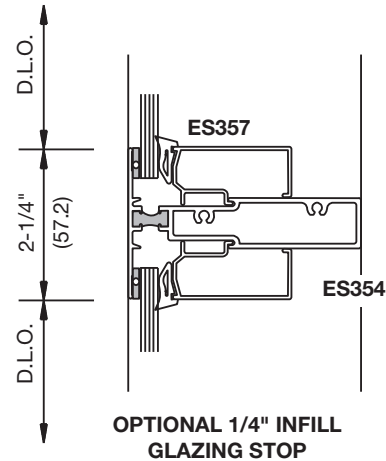
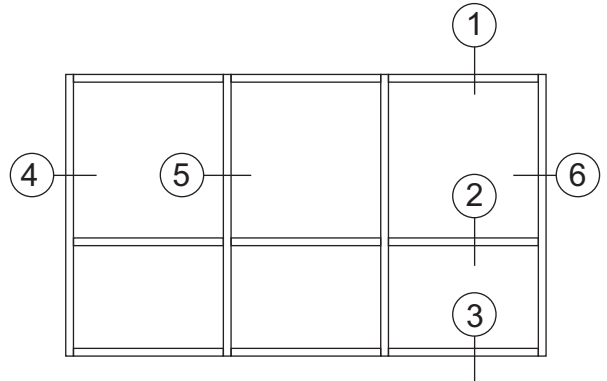
SERIES ET350 STRIP WINDOW

TYPICAL DETAILS



For 1/4" (6 mm) or 1" (25 mm) Glazing

For Specifications, Details, and Testing Data go to usalum.com.



NOT TO SCALE

AVDB4205_8.24.15