



**DOOR SYSTEM LIMITATIONS**  
 MAXIMUM DOOR WEIGHT: 220 lbs. (100 kg)  
 MAXIMUM PANEL WIDTH: 53 1/2" (1.36m)  
 MAXIMUM PANEL HEIGHT: 98 7/16" (2.50m)  
 MAXIMUM TRACK LENGTH: 104" (2.64m)

- \* ANTI-LIFT FEATURE FOR ADDED SAFETY
- \* ALL 316 ALLOY BRUSHED STAINLESS STEEL CONSTRUCTION
- \* IDEAL FOR INTERIOR APPLICATIONS
- \* FOR USE WITH 3/8" OR 1/2" (10mm OR 12mm) GLASS
- \* COMES WITH ALL FASTENERS NEEDED FOR EITHER FLUSH (COUNTERSUNK) OR SURFACE (STRAIGHT HOLE) MOUNTING
- \* ADAPTOR KITS AVAILABLE FOR WOOD DOOR APPLICATIONS

# CRL LSWM6BS / LS412BS LAGUNA SERIES CEILING MOUNT BI-PARTING SLIDER

Revisions By:

---



---

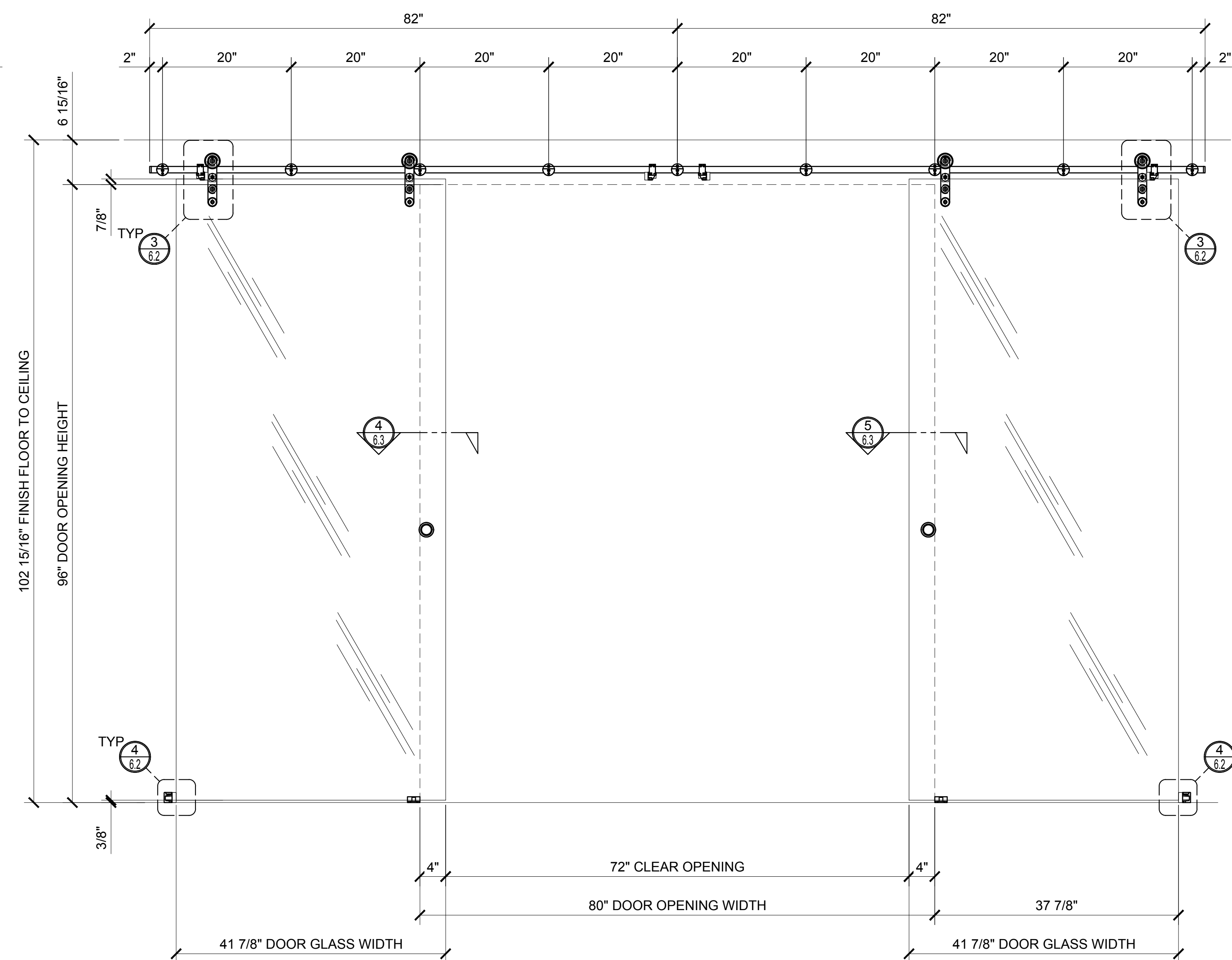
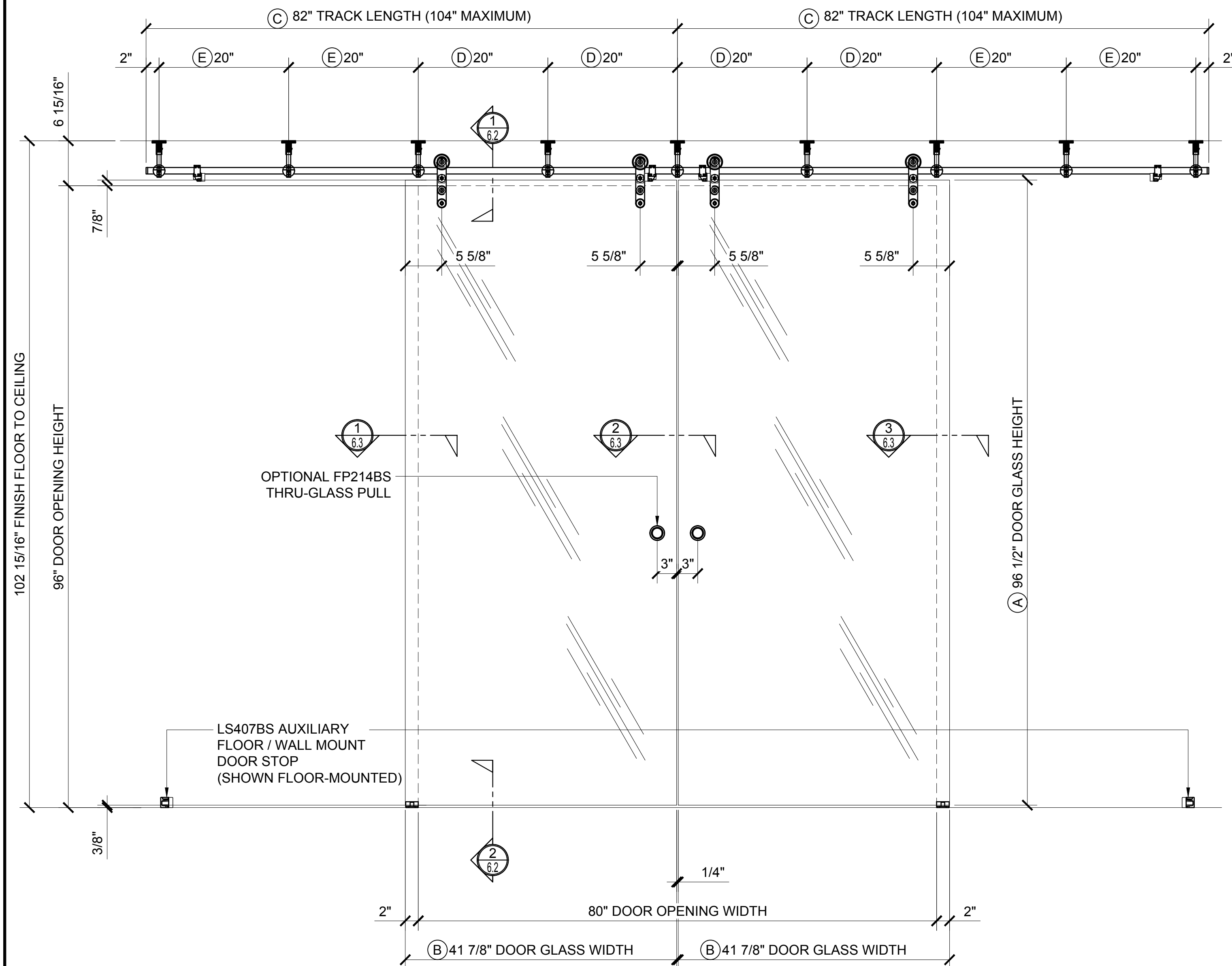


---



---

C.R. LAURENCE CO. ARCHITECTURAL PRODUCTS  
 2503 E. Vernon Avenue, Los Angeles, CA 90058-1897  
 PH: (800)-421-6144 FX: 800-587-7301 www.crlaurence.com



- (A) D.O.H. + 1/2"
- (B) (D.O.W. / 2) + 1 7/8"
- (C) D.O.W. + 2"
- (D) D.O.W. / 4
- (E) D.O.W. / 4

D.O.H. = DOOR OPENING HEIGHT

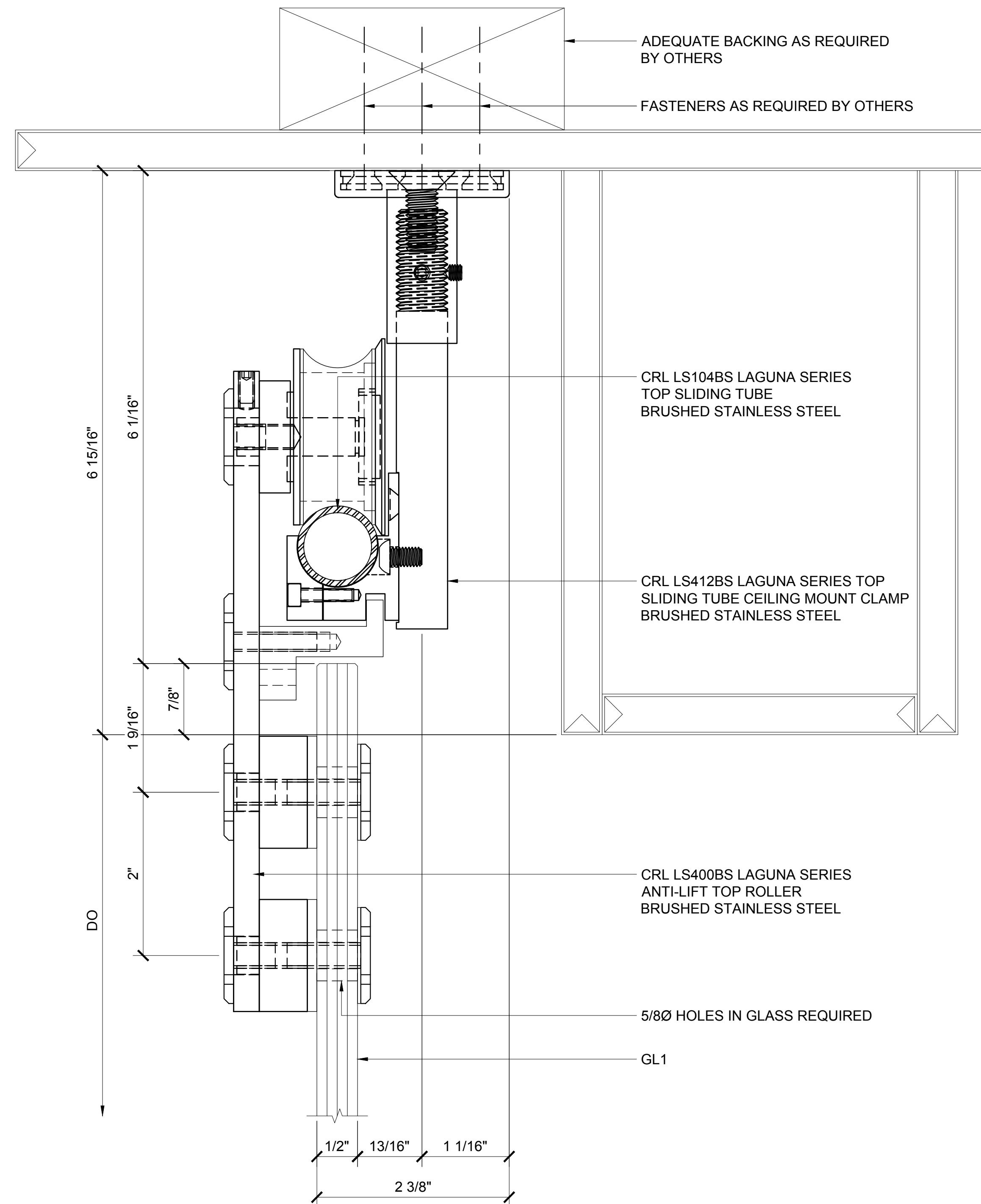
**① LAGUNA SERIES DOOR (CLOSED)**  
 ARCH REF: NONE 1"=1'-0"

**② LAGUNA SERIES DOOR (OPEN)**  
 ARCH REF: NONE 1"=1'-0"

Description:

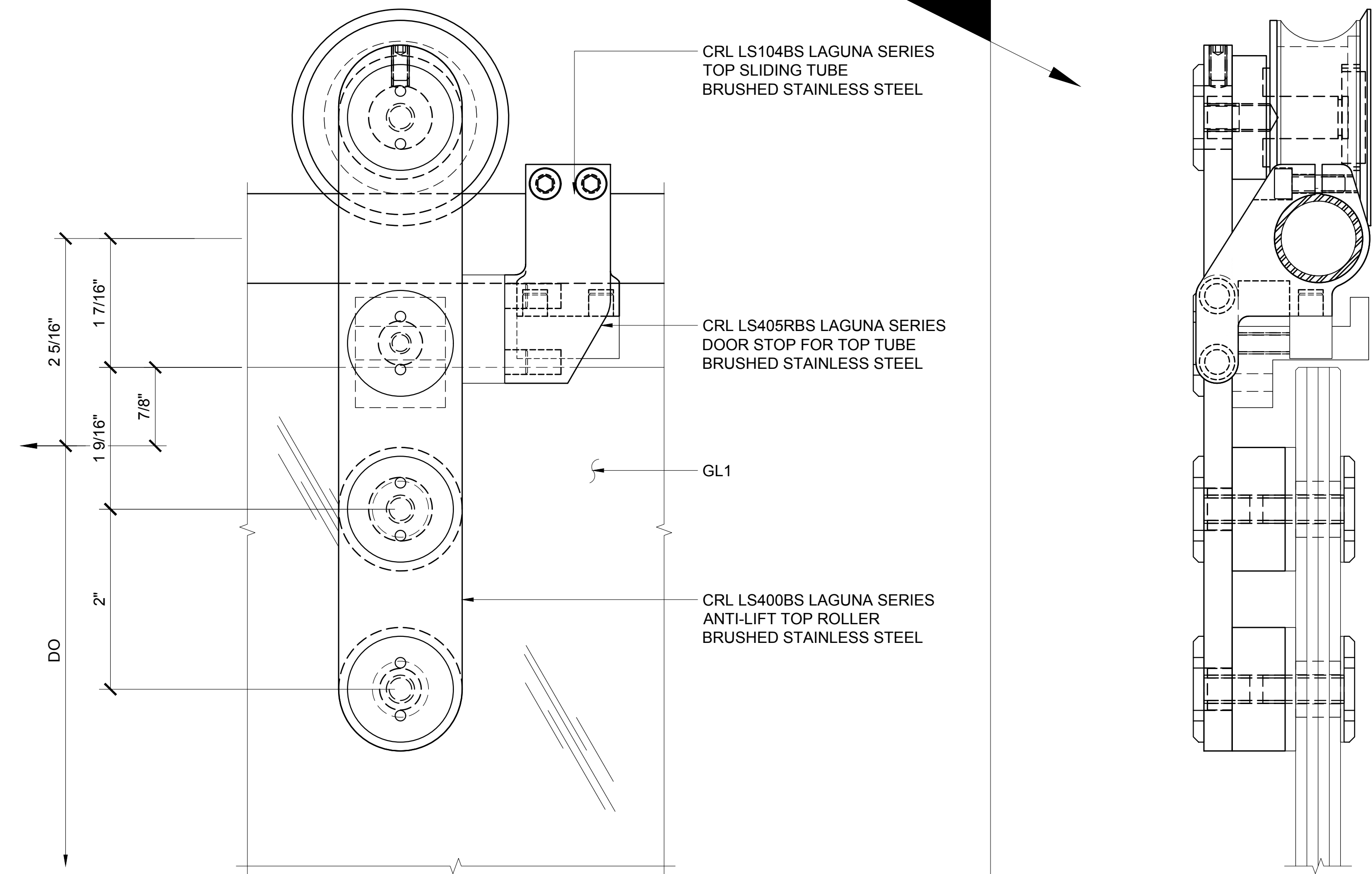
CRL LAGUNA OFFICE  
 PARTITION SYSTEM

Drawn By: AAD  
 Date: 3/21/17  
 Scale: AS NOTED  
 File Name:  
 6-CRL-LSWM6BS-LS412BS-LAGUNA-SERIES  
 CEILING-MOUNT-BI-PARTING-SLIDER.dwg  
 Sheet



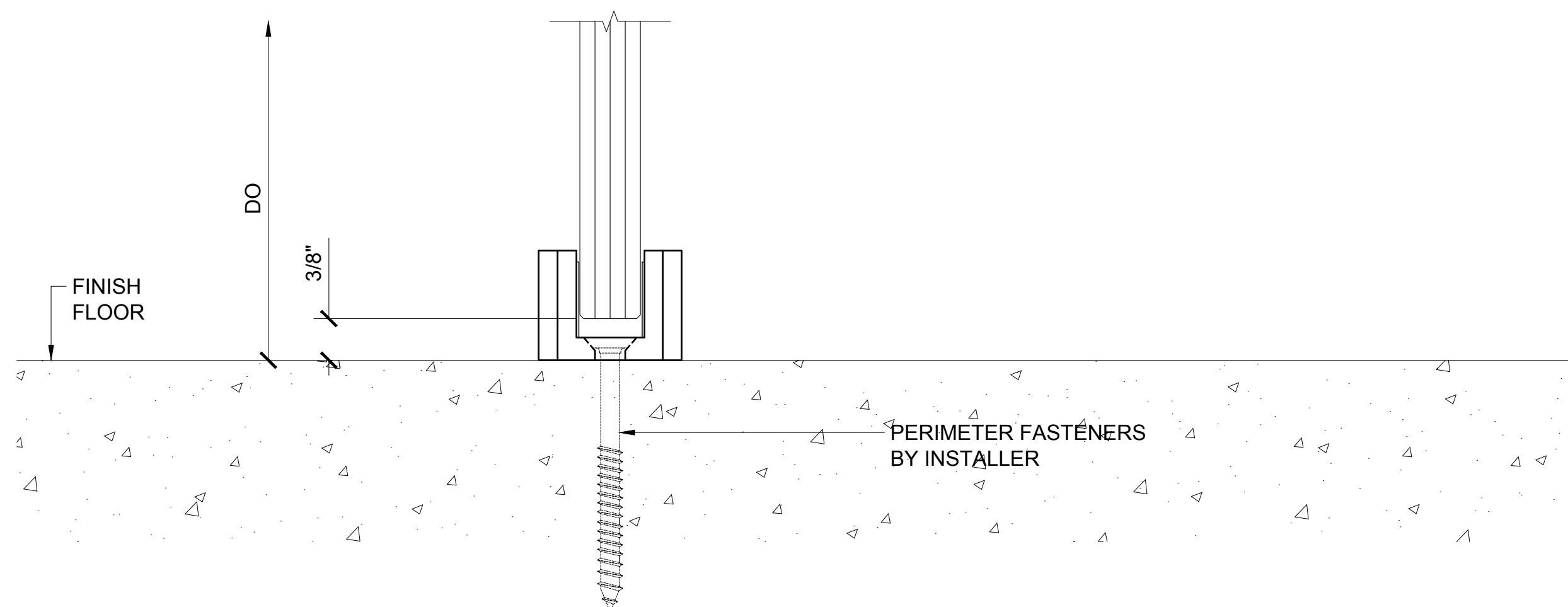
**1 DOOR HEAD DETAIL**

ARCH REF: 1'-0"=1'-0"



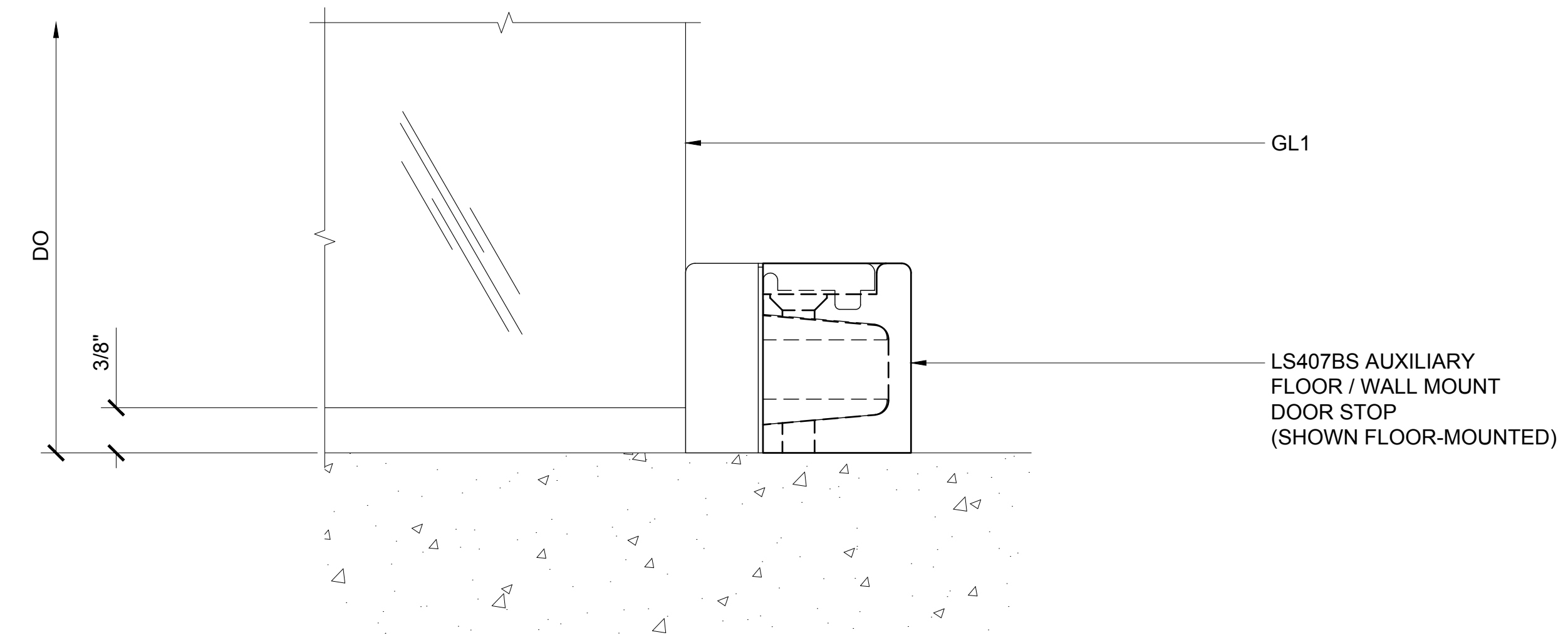
**3 TOP BUMPER DETAIL**

ARCH REF: 1'-0"=1'-0"



**2 DOOR SILL DETAIL**

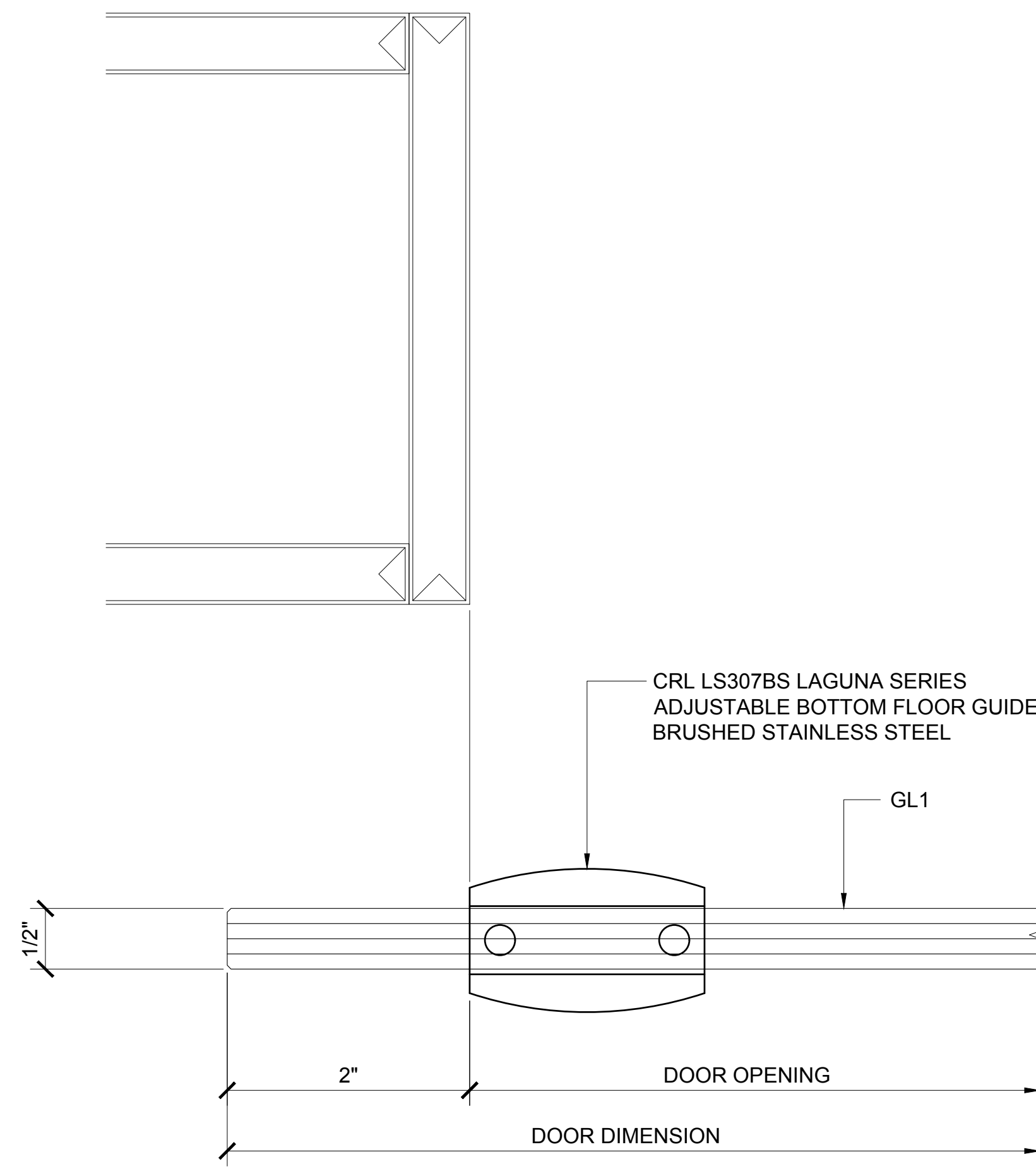
ARCH REF: 1'-0"=1'-0"



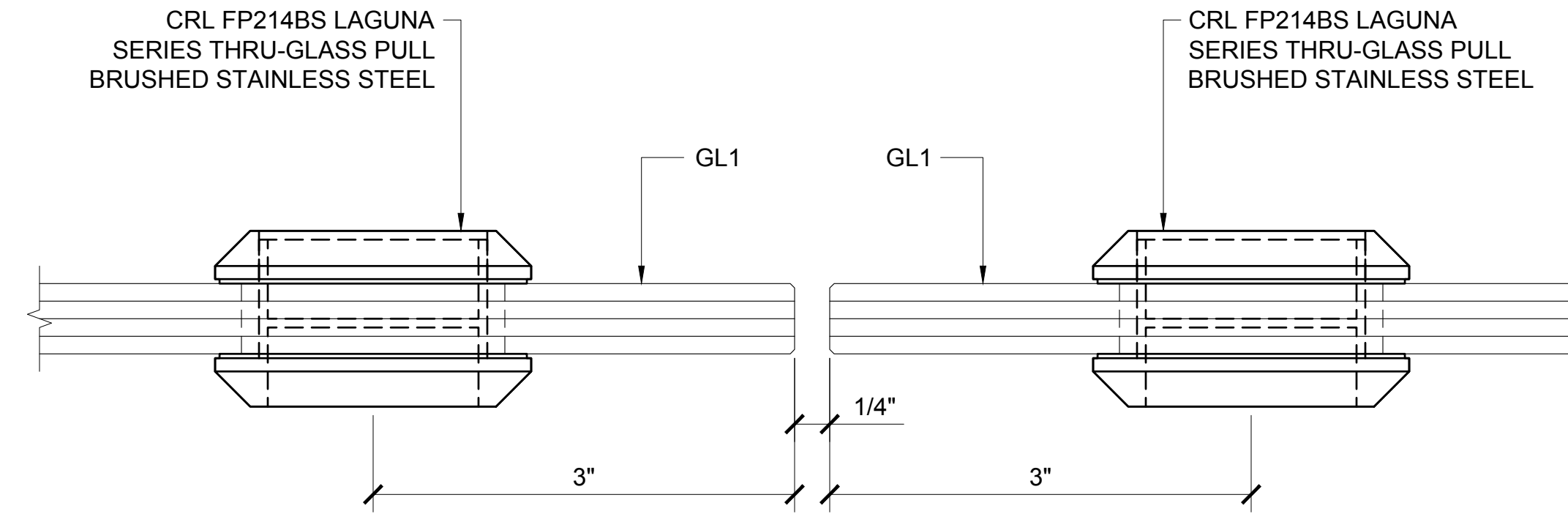
**4 BOTTOM BUMPER DETAIL**

ARCH REF: 1'-0"=1'-0"

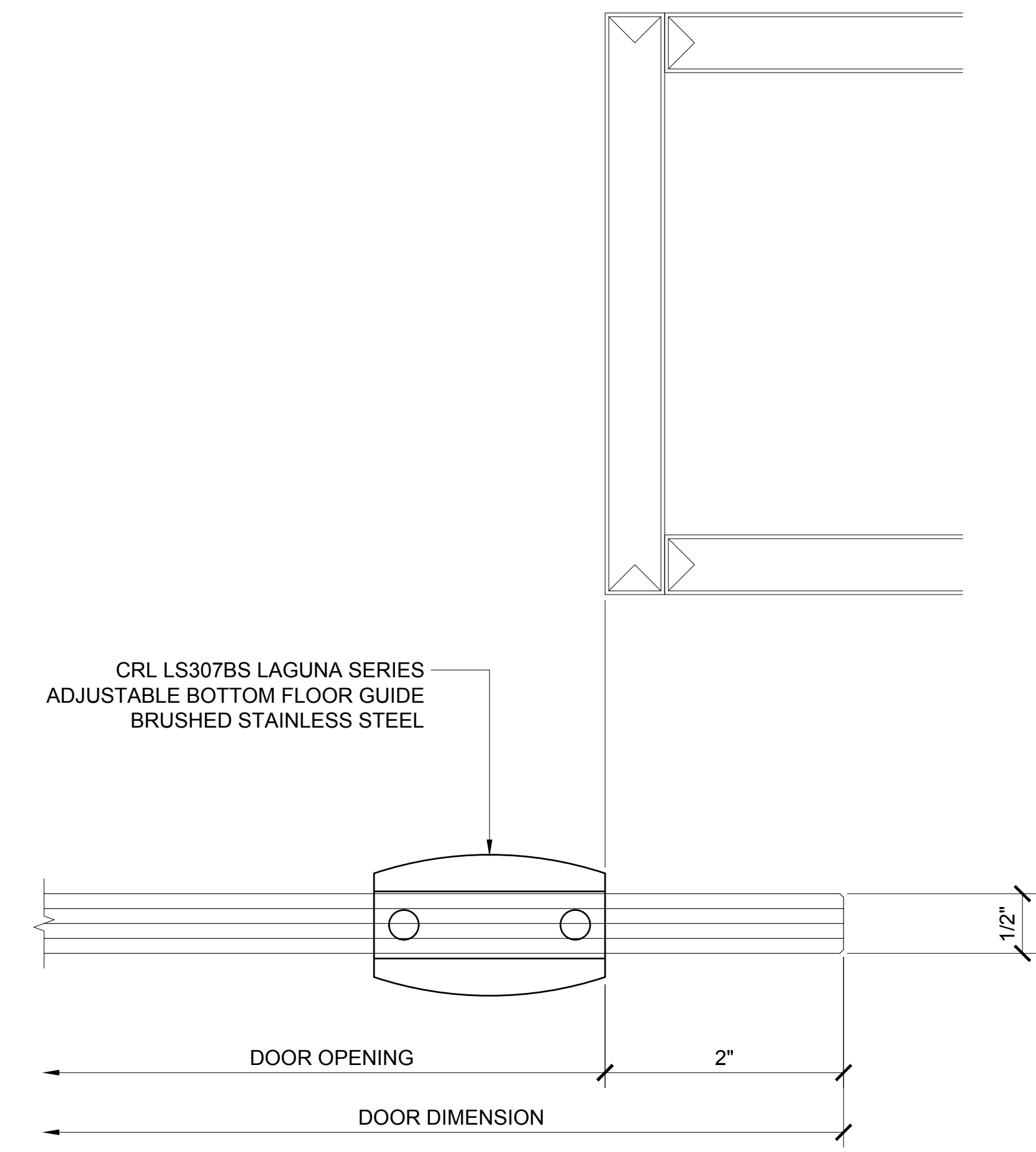
Revisions By:



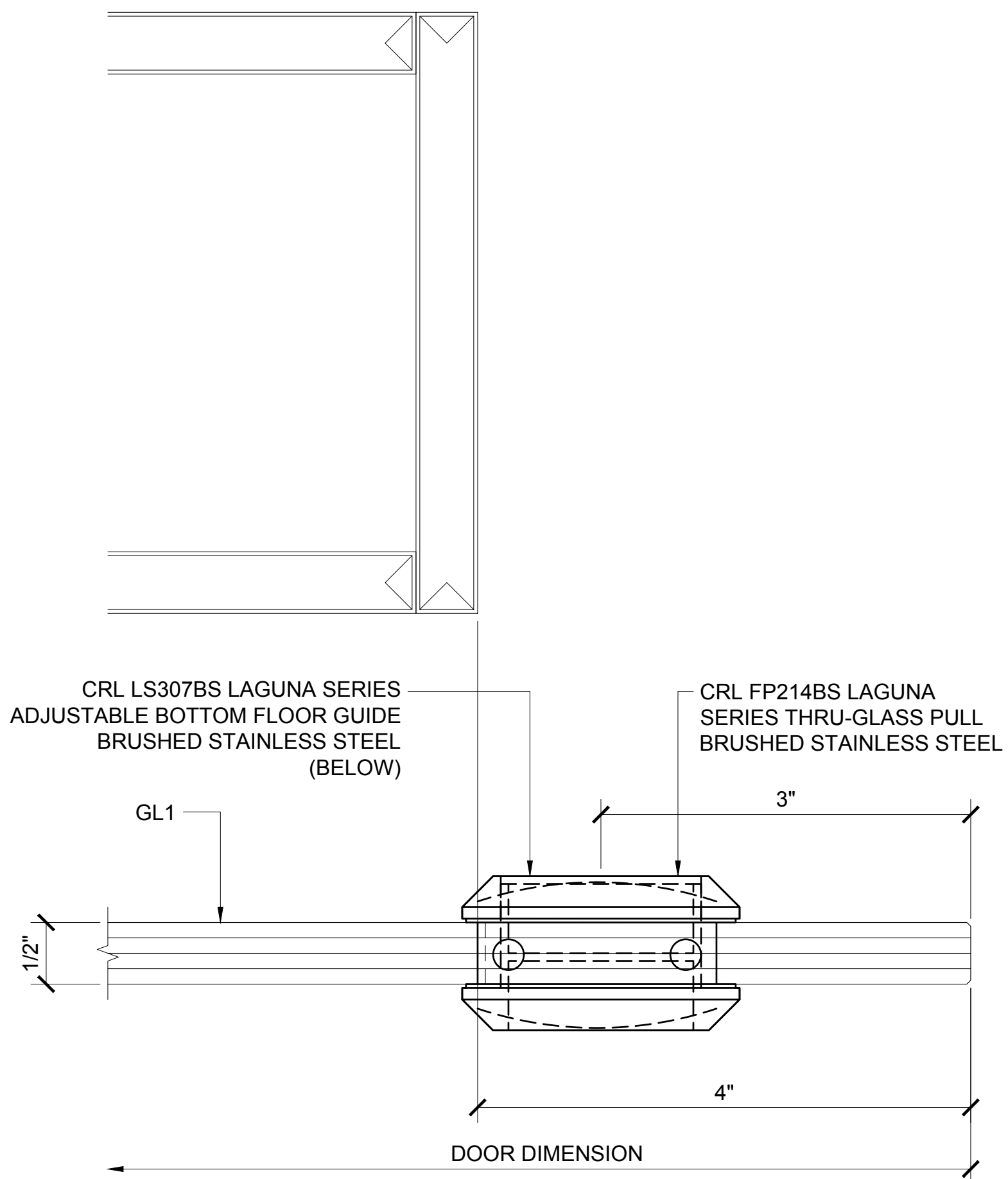
**① DOOR JAMB DETAIL (DOOR CLOSED)**  
 ARCH REF: 1'-0"=1'-0"



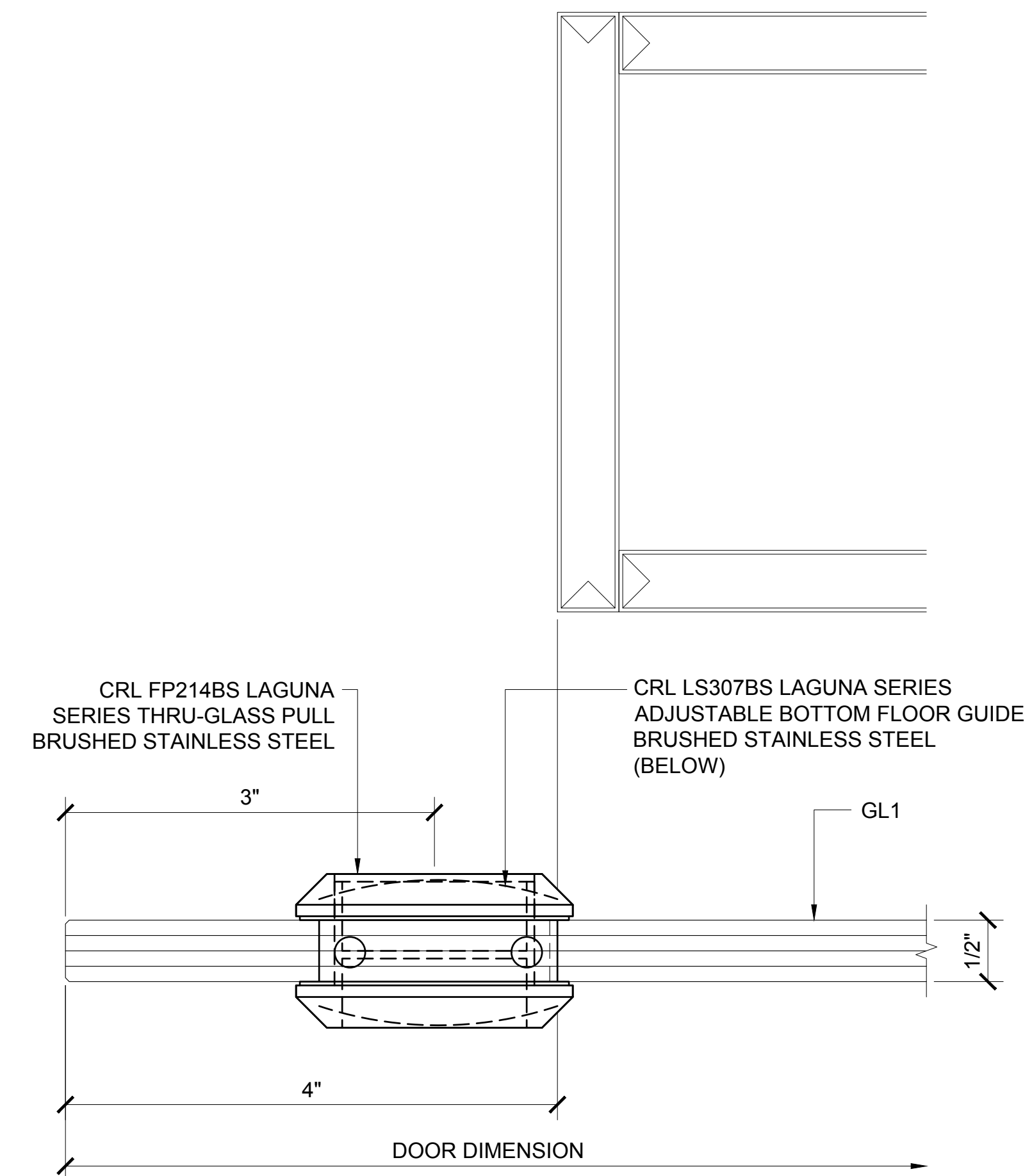
**② MEETING STILES DETAIL (DOOR CLOSED)**  
 ARCH REF: 1'-0"=1'-0"



**③ DOOR JAMB DETAIL (DOOR CLOSED)**  
 ARCH REF: 1'-0"=1'-0"



**④ DOOR JAMB DETAIL (DOOR OPEN)**  
 ARCH REF: 1'-0"=1'-0"



**⑤ DOOR JAMB DETAIL (DOOR OPEN)**  
 ARCH REF: 1'-0"=1'-0"

Discription:  
 CRL LAGUNA OFFICE  
 PARTITION SYSTEM

Drawn By: AAD  
 Date: 3/21/17  
 Scale: AS NOTED  
 File Name:  
 6-CRL-LS307BS-LS415BS-LAGUNA-SERIES  
 CEILING-MOUNT-BI-PARTING-SLIDER.dwg  
 Sheet