



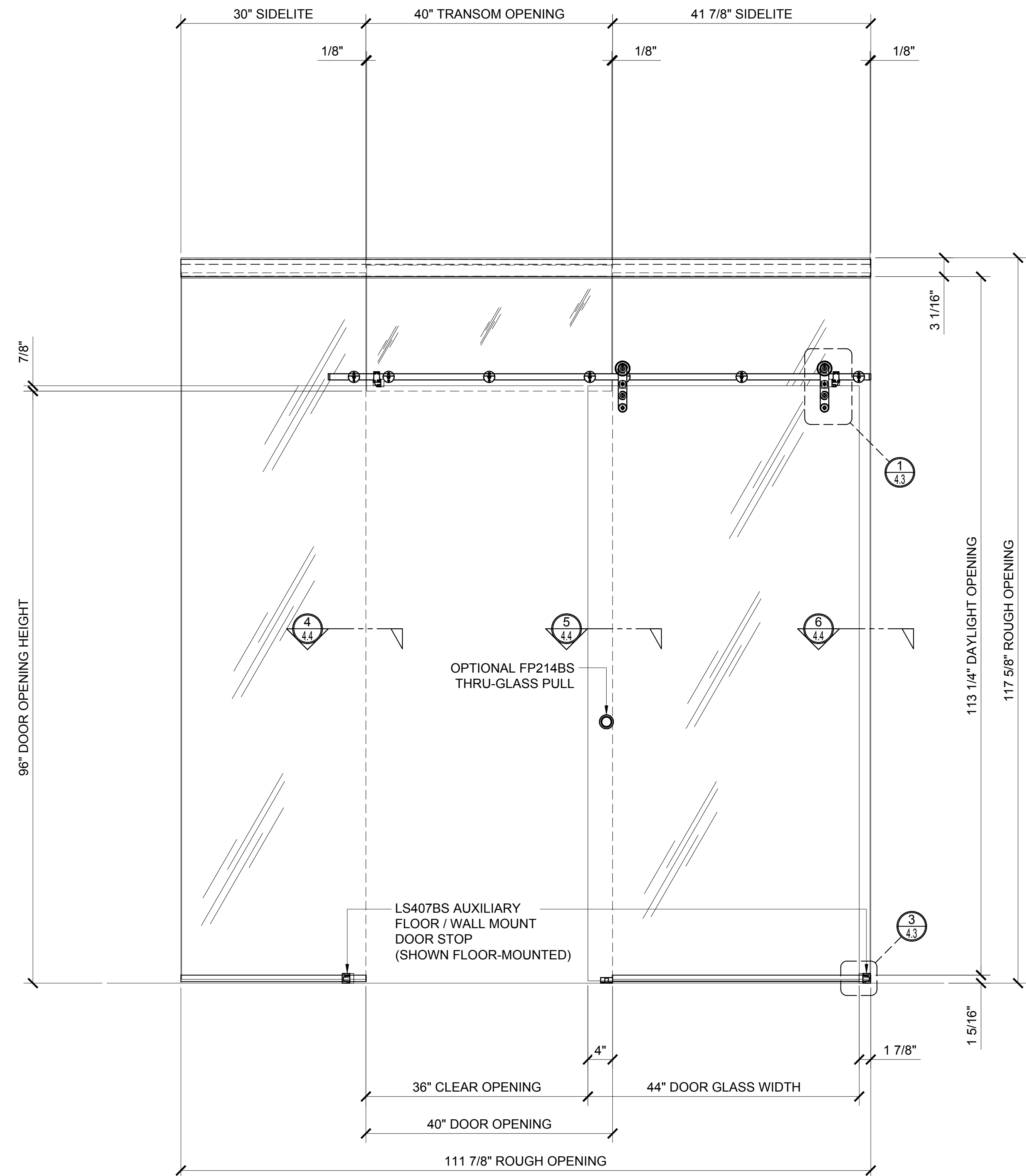
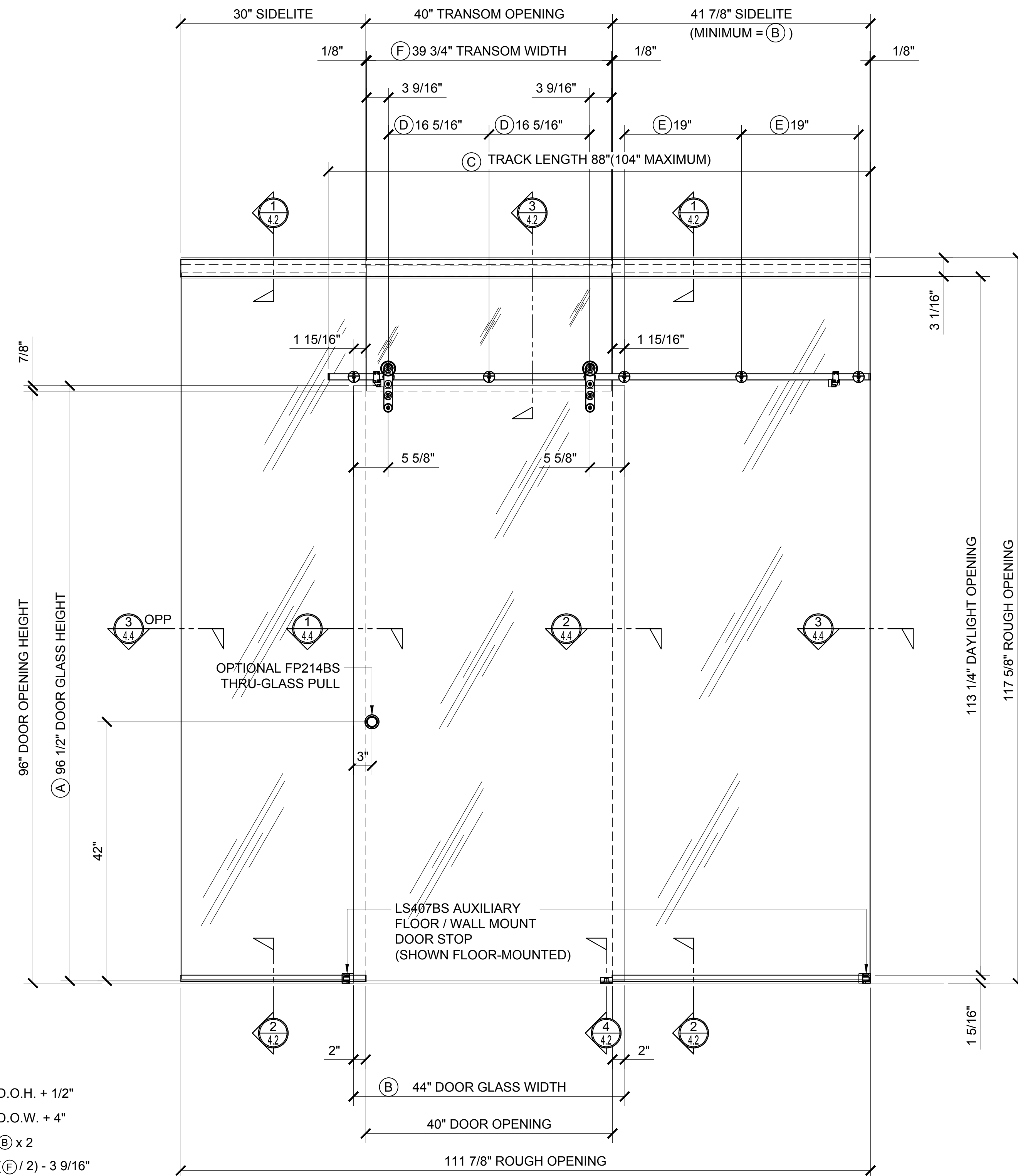
**DOOR SYSTEM LIMITATIONS**  
 MAXIMUM DOOR WEIGHT: 220 lbs. (100 kg)  
 MAXIMUM PANEL WIDTH: 53 1/2" (1.36m)  
 MAXIMUM PANEL HEIGHT: 98 7/16" (2.50m)  
 MAXIMUM TRACK LENGTH: 104" (2.64m)

- \* ANTI-LIFT FEATURE FOR ADDED SAFETY
- \* ALL 316 ALLOY BRUSHED STAINLESS STEEL CONSTRUCTION
- \* IDEAL FOR INTERIOR APPLICATIONS
- \* FOR USE WITH 3/8" OR 1/2" (10mm OR 12mm) GLASS
- \* COMES WITH ALL FASTENERS NEEDED FOR EITHER FLUSH (COUNTERSUNK) OR SURFACE (STRAIGHT HOLE) MOUNTING
- \* ADAPTOR KITS AVAILABLE FOR WOOD DOOR APPLICATIONS

# CRL LSGM6BS LAGUNA SERIES GLASS MOUNT SINGLE SLIDER WITH SIDELITES

Revisions By:

**CRL**  
**US ALUMINUM**  
 C.R. LAURENCE CO. ARCHITECTURAL PRODUCTS  
 2503 E. Vernon Avenue, Los Angeles, CA 90058-1897  
 PH: (800)-421-6144 FX: 800-587-7301 www.crlaurence.com



- (A) D.O.H. + 1/2"
  - (B) D.O.W. + 4"
  - (C) @ x 2
  - (D) ((E) / 2) - 3 9/16"
  - (E) (D.O.W. / 2) - 1"
  - (F) D.O.W. - 1/4"
- D.O.H. = DOOR OPENING HEIGHT  
 D.O.W. = DOOR OPENING WIDTH

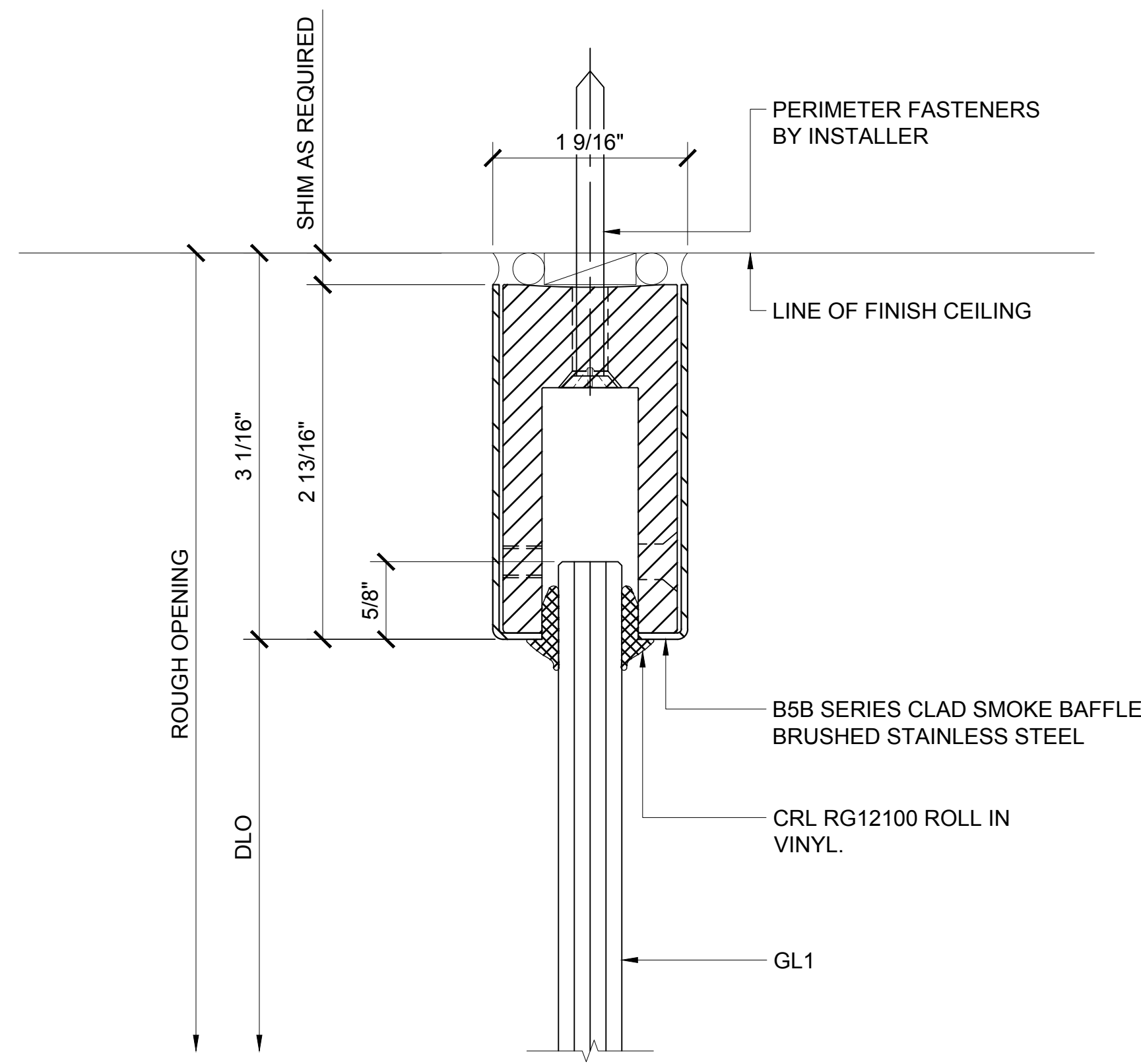
**① LAGUNA SERIES DOOR (CLOSED)**  
 ARCH REF: NONE 1"=1'-0"

**② LAGUNA SERIES DOOR (OPEN)**  
 ARCH REF: NONE 1"=1'-0"

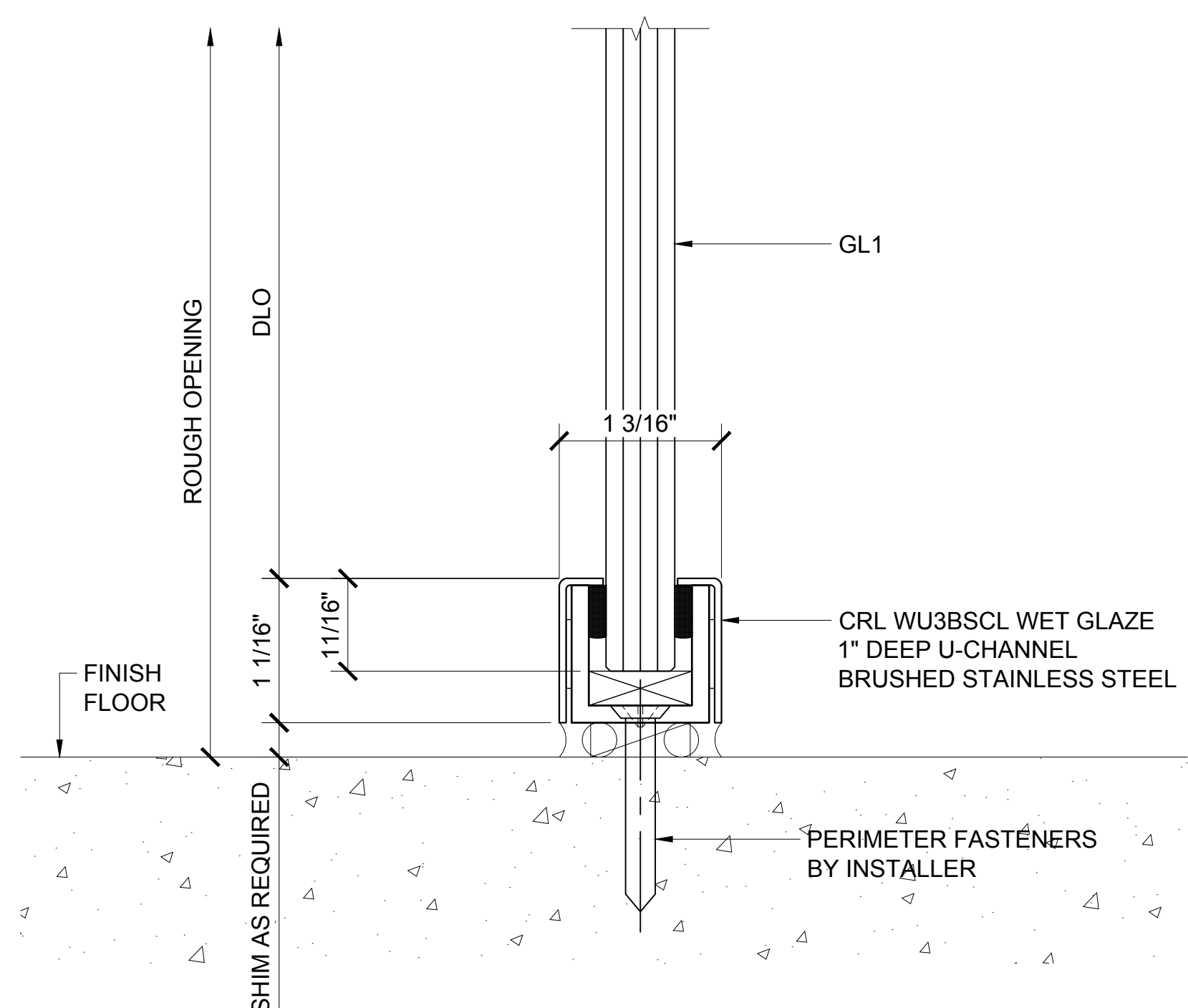
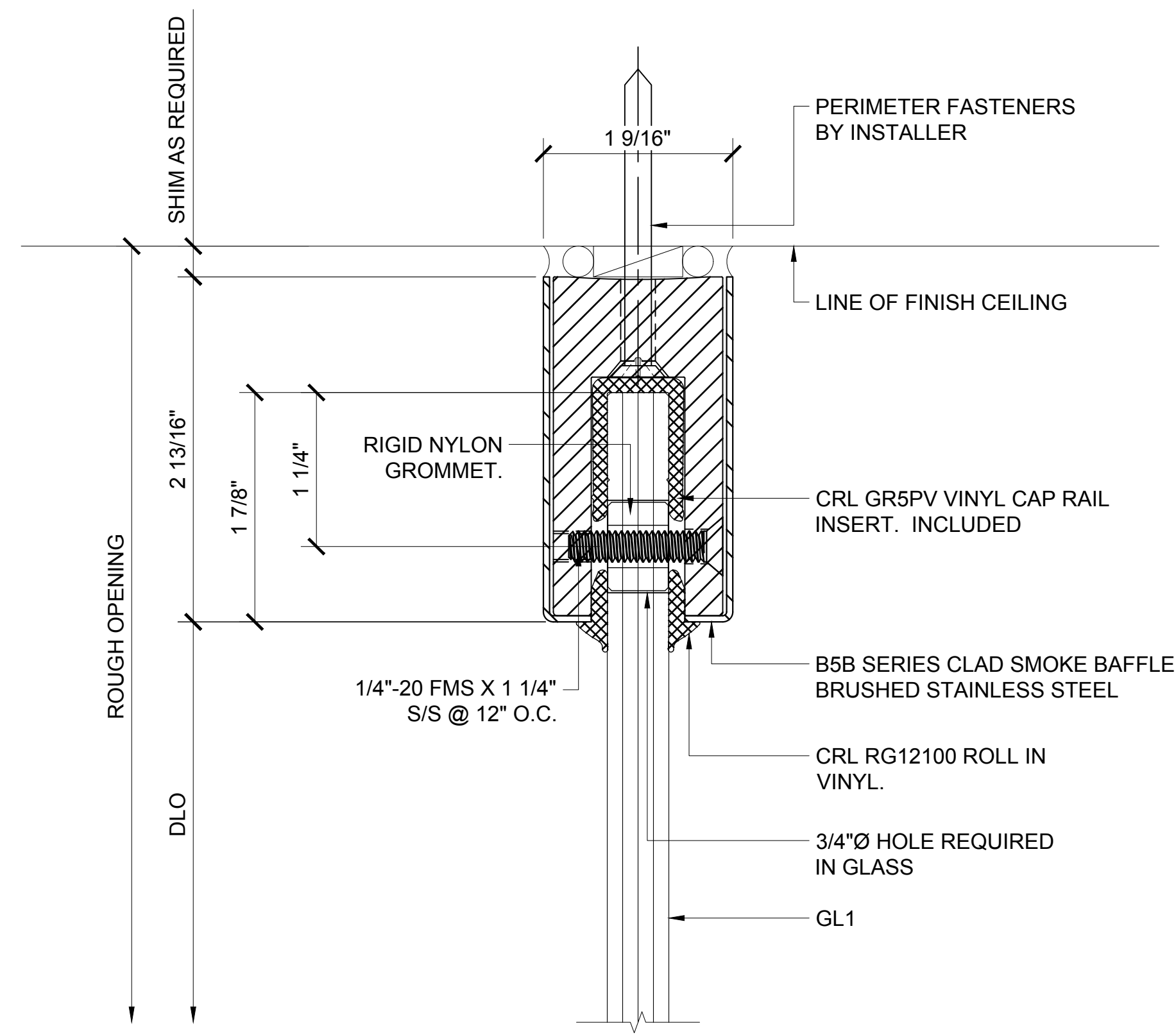
Discription:

CRL LAGUNA OFFICE  
 PARTITION SYSTEM

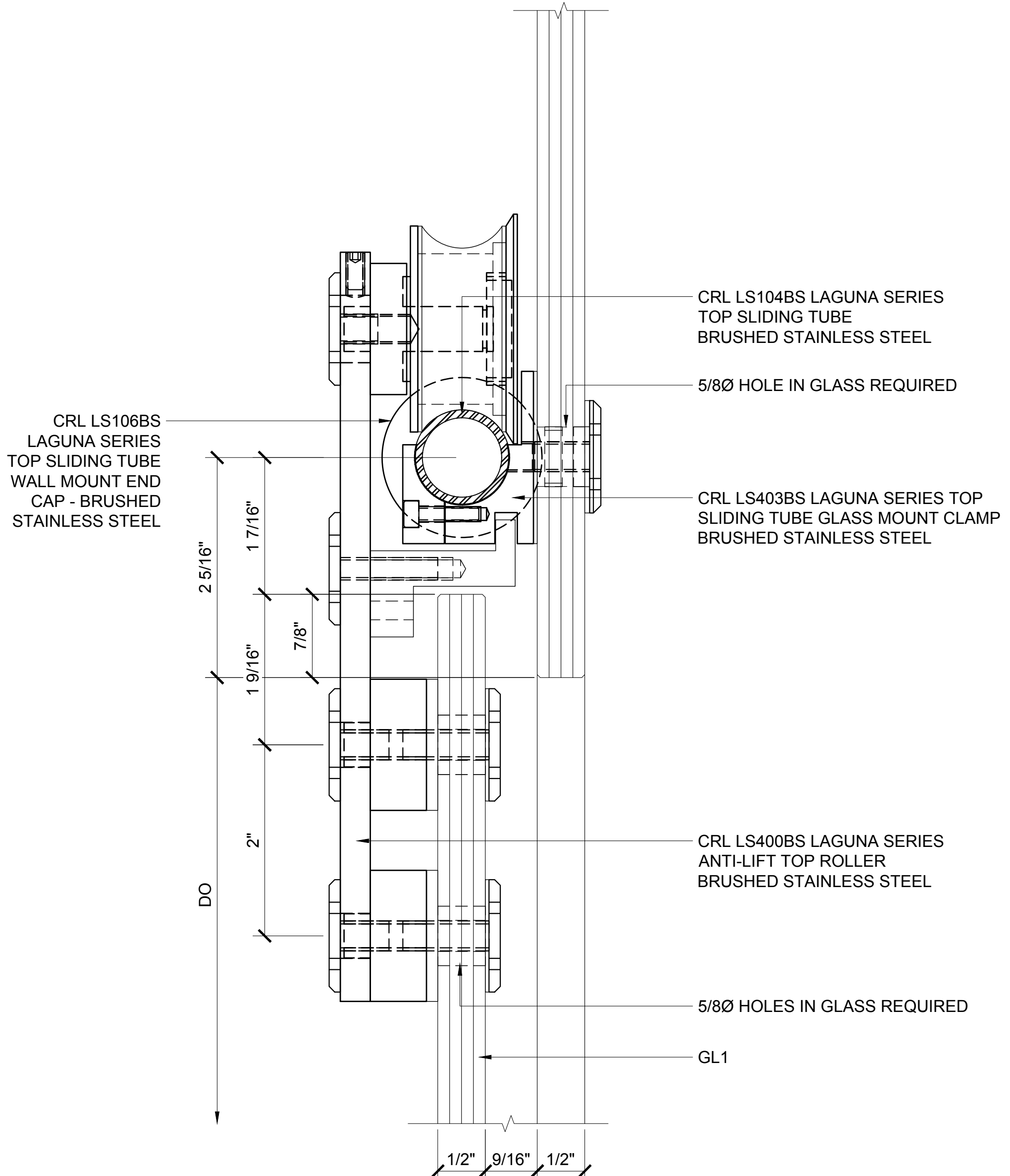
Drawn By: AAD  
 Date: 3/3/16  
 Scale: AS NOTED  
 File Name: 4-CRL LSGM6BS LAGUNA SERIES GLASS MOUNT SINGLE SLIDER WITH SIDELITES.dwg  
 Sheet



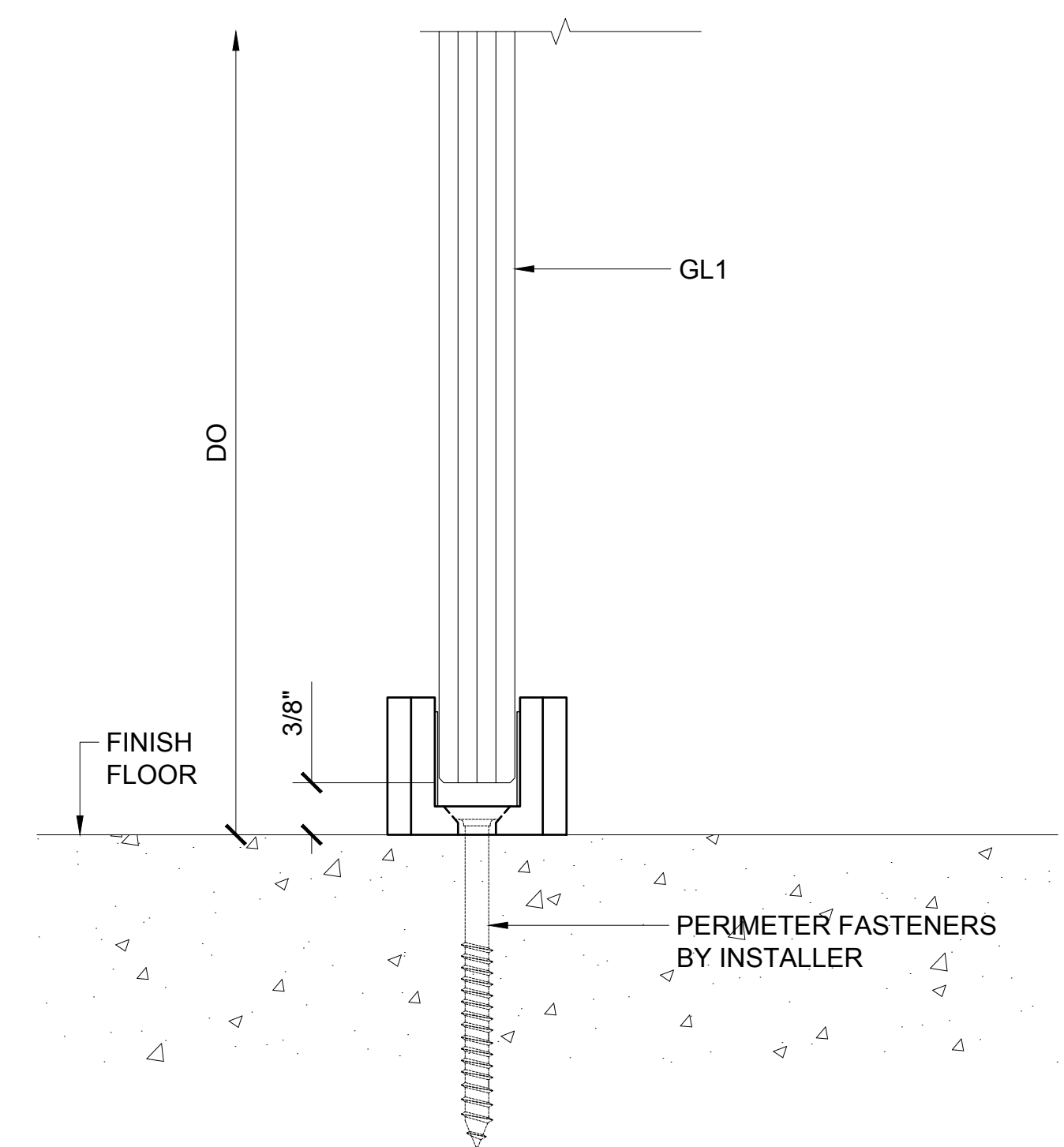
**① SIDELITE HEAD DETAIL**  
 ARCH REF: 1'-0"=1'-0"



**② SIDELITE SILL DETAIL**  
 ARCH REF: 1'-0"=1'-0"



**③ DOOR HEAD / TRANSOM DETAIL**  
 ARCH REF: 1'-0"=1'-0"



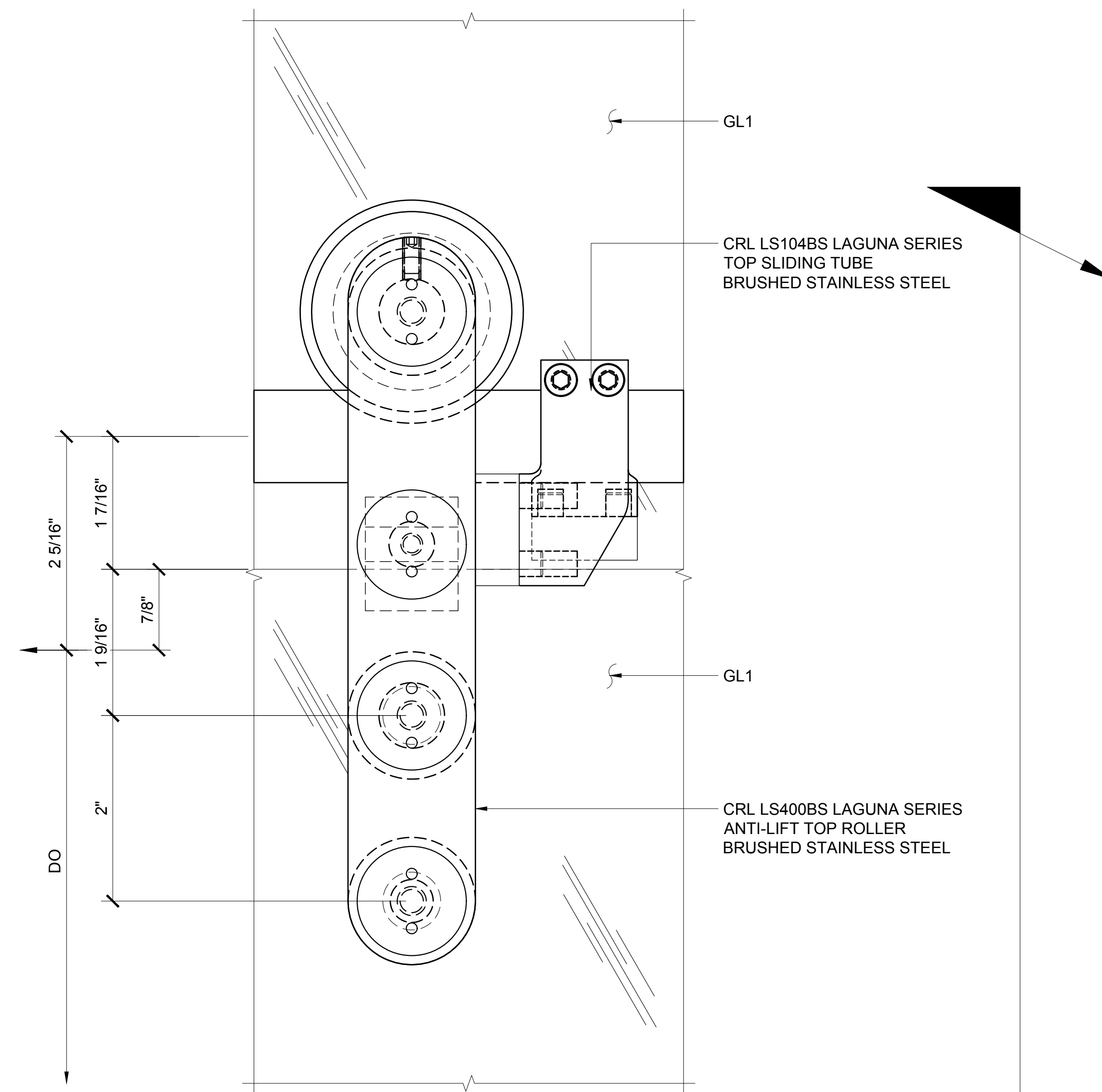
**④ SIDELITE SILL DETAIL**  
 ARCH REF: 1'-0"=1'-0"

Revisions By:

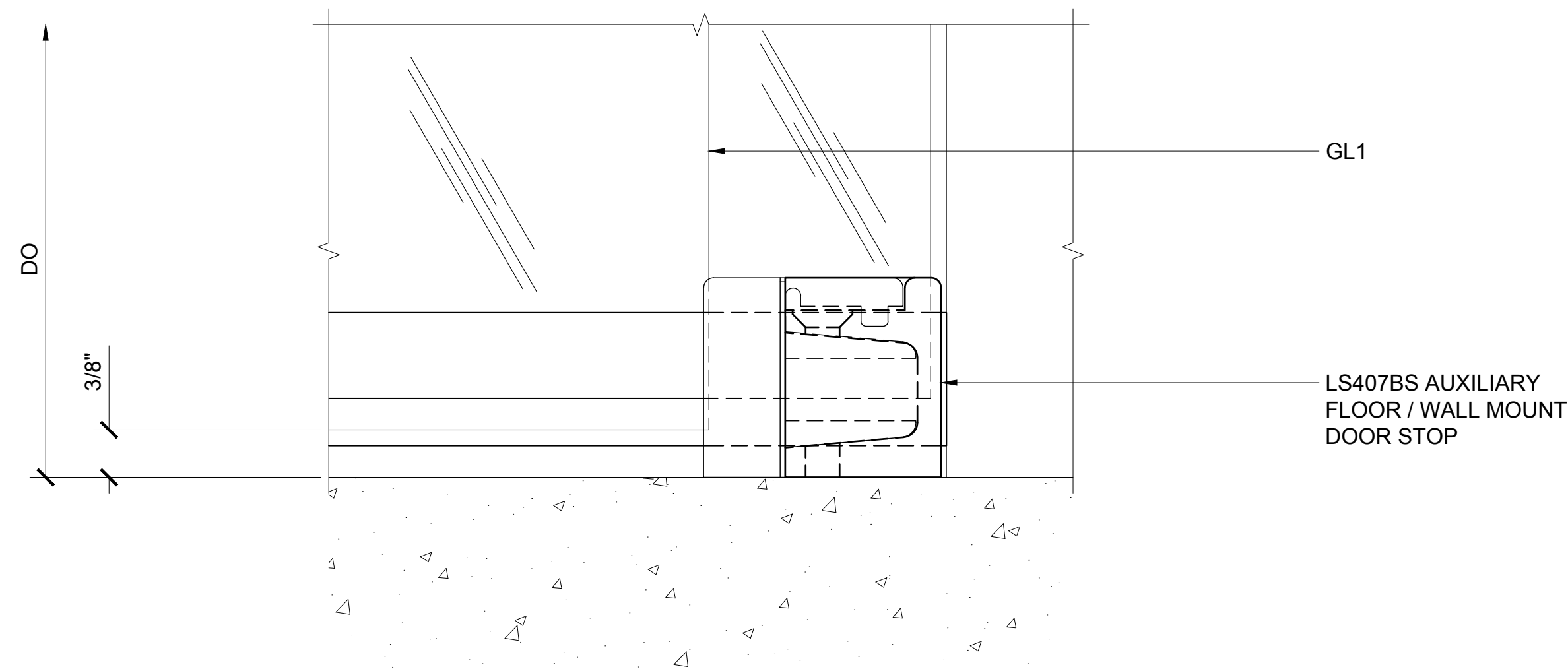
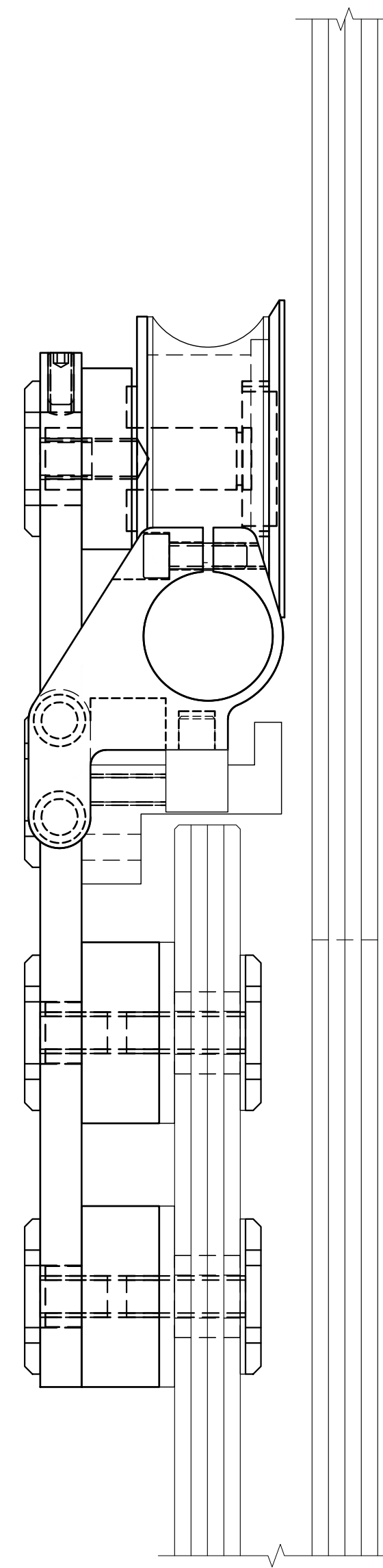

C.R. LAURENCE CO. ARCHITECTURAL PRODUCTS  
 2503 E. Vernon Avenue, Los Angeles, CA 90058-1897  
 PH (800)-421-6144 FX (800)-587-7301 www.crlaurence.com

Discription:  
**CRL LAGUNA OFFICE  
 PARTITION SYSTEM**

Drawn By: AAD  
 Date: 3/3/16  
 Scale: AS NOTED  
 File Name:  
 4-CRL LSCM6BS LAGUNA SERIES GLASS  
 MOUNT SINGLE SLIDER WITH SIDELITES.dwg  
 Sheet



**① TOP BUMPER DETAIL**  
ARCH REF: 1'-0"=1'-0"



**② BOTTOM BUMPER DETAIL**  
ARCH REF: 1'-0"=1'-0"

Revisions By:



Description:  
CRL LAGUNA OFFICE  
PARTITION SYSTEM

Drawn By: AAD  
Date: 3/3/16  
Scale: AS NOTED  
File Name:  
4-CRL LSCM6BS LAGUNA SERIES GLASS  
MOUNT SINGLE SLIDER WITH SIDELITES.dwg  
Sheet