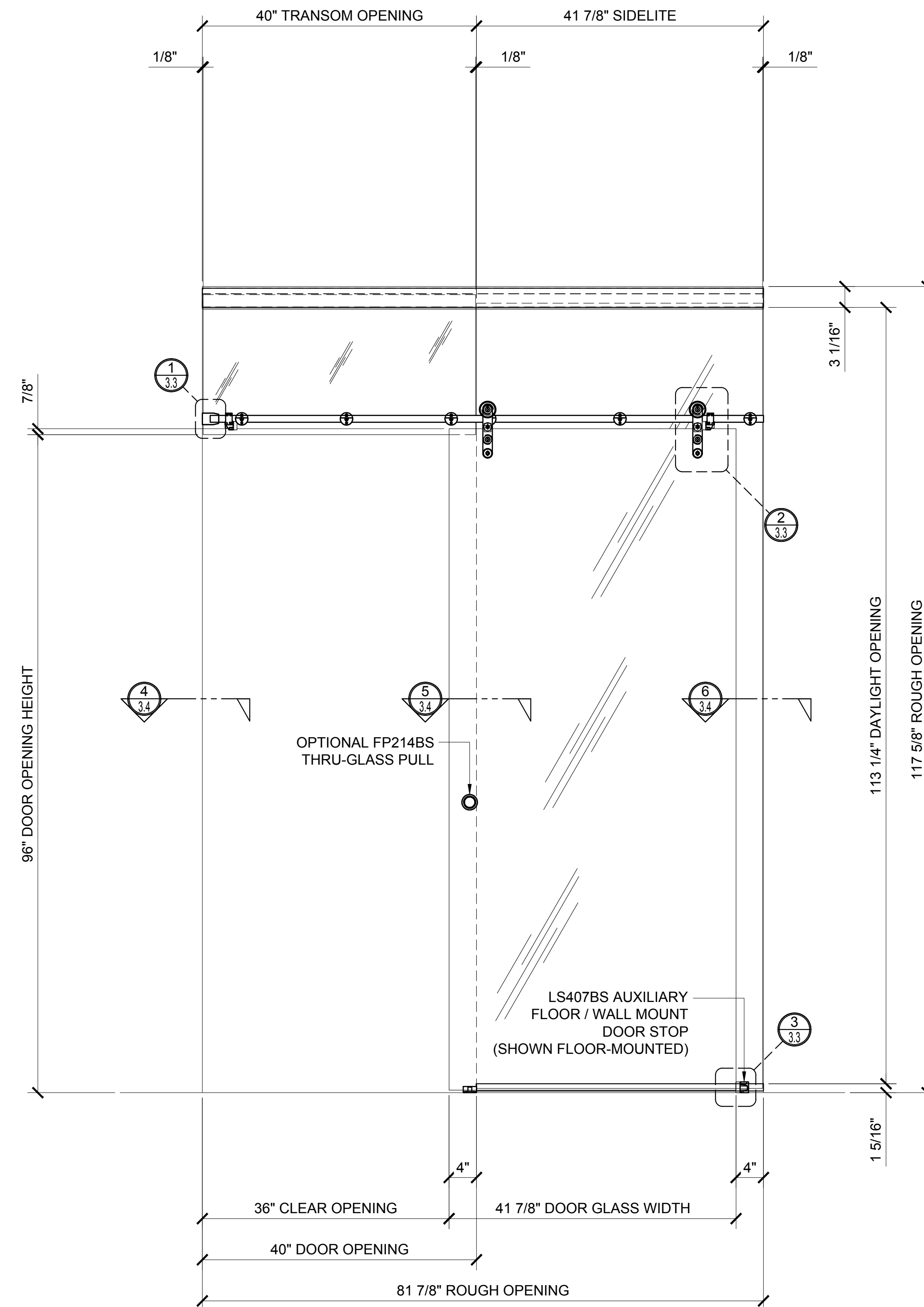
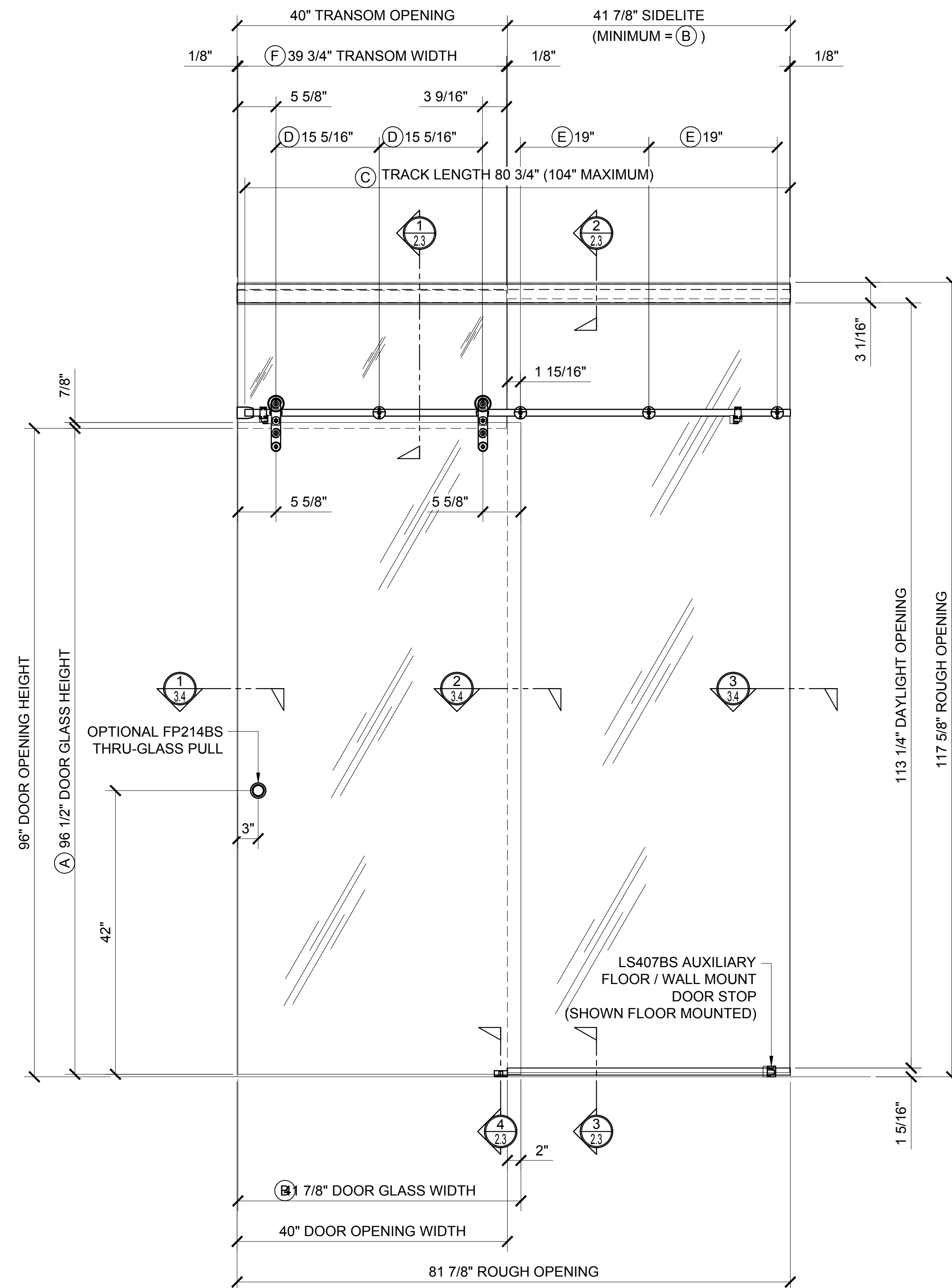




**DOOR SYSTEM LIMITATIONS**  
 MAXIMUM DOOR WEIGHT: 220 lbs. (100 kg)  
 MAXIMUM PANEL WIDTH: 53 1/2" (1.36m)  
 MAXIMUM PANEL HEIGHT: 98 7/16" (2.50m)  
 MAXIMUM TRACK LENGTH: 104" (2.64m)

- \* ANTI-LIFT FEATURE FOR ADDED SAFETY
- \* ALL 316 ALLOY BRUSHED STAINLESS STEEL CONSTRUCTION
- \* IDEAL FOR INTERIOR APPLICATIONS
- \* FOR USE WITH 3/8" OR 1/2" (10mm OR 12mm) GLASS
- \* COMES WITH ALL FASTENERS NEEDED FOR EITHER FLUSH (COUNTERSUNK) OR SURFACE (STRAIGHT HOLE) MOUNTING
- \* ADAPTOR KITS AVAILABLE FOR WOOD DOOR APPLICATIONS

# CRL LSGM5BS LAGUNA SERIES GLASS MOUNT SINGLE SLIDER



- (A) D.O.H. + 1/2"
  - (B) D.O.W. + 1 7/8"
  - (C) (E) x 2) - 3"
  - (D) (E) / 2) - 4 9/16"
  - (E) (D.O.W. / 2) - 1"
  - (F) D.O.W. - 1/4"
- D.O.H. = DOOR OPENING HEIGHT  
 D.O.W. = DOOR OPENING WIDTH

**① LAGUNA SERIES DOOR (CLOSED)**  
 ARCH REF: NONE 1"=1'-0"

**② LAGUNA SERIES DOOR (OPEN)**  
 ARCH REF: NONE 1"=1'-0"

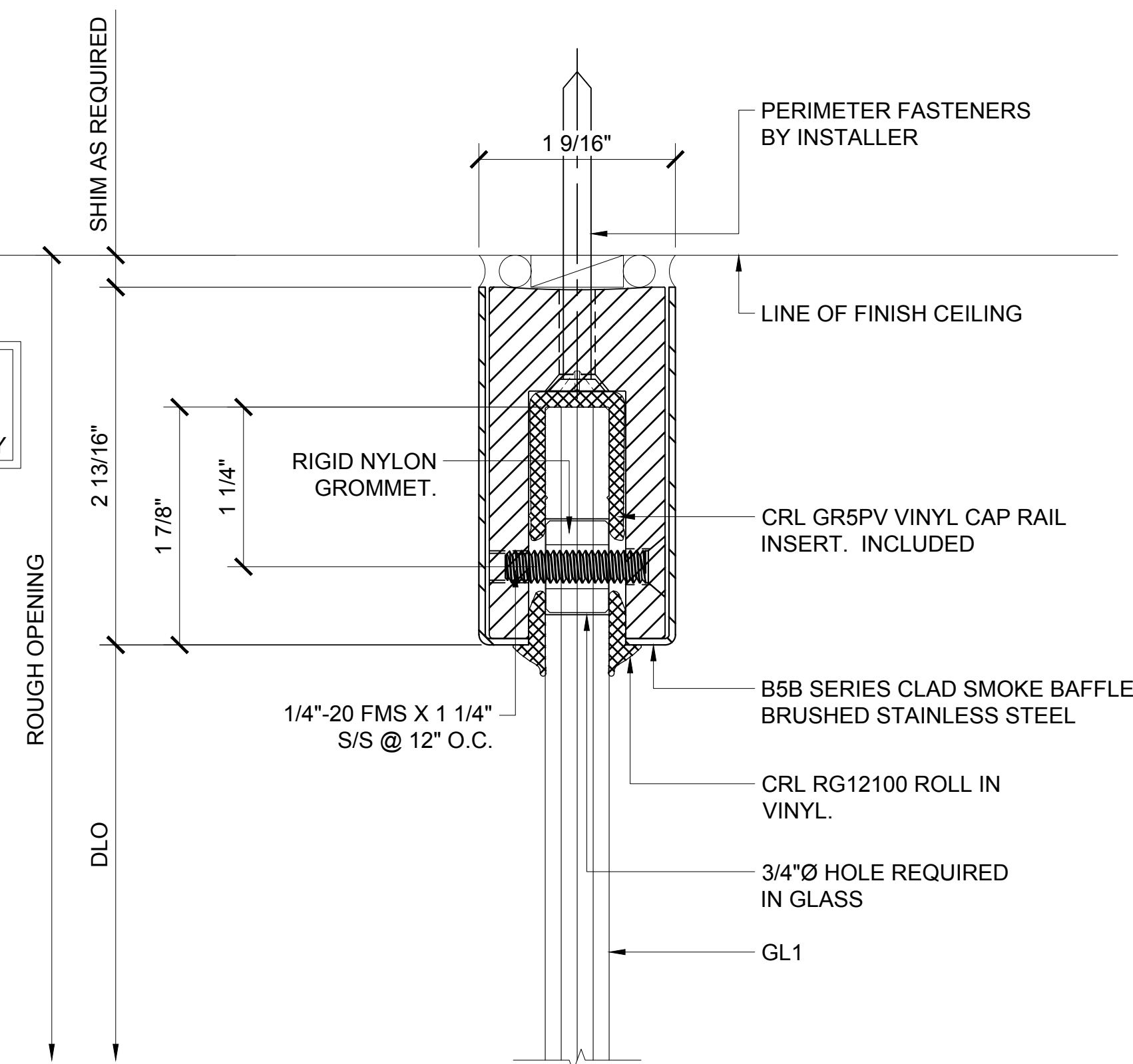
Revisions By:



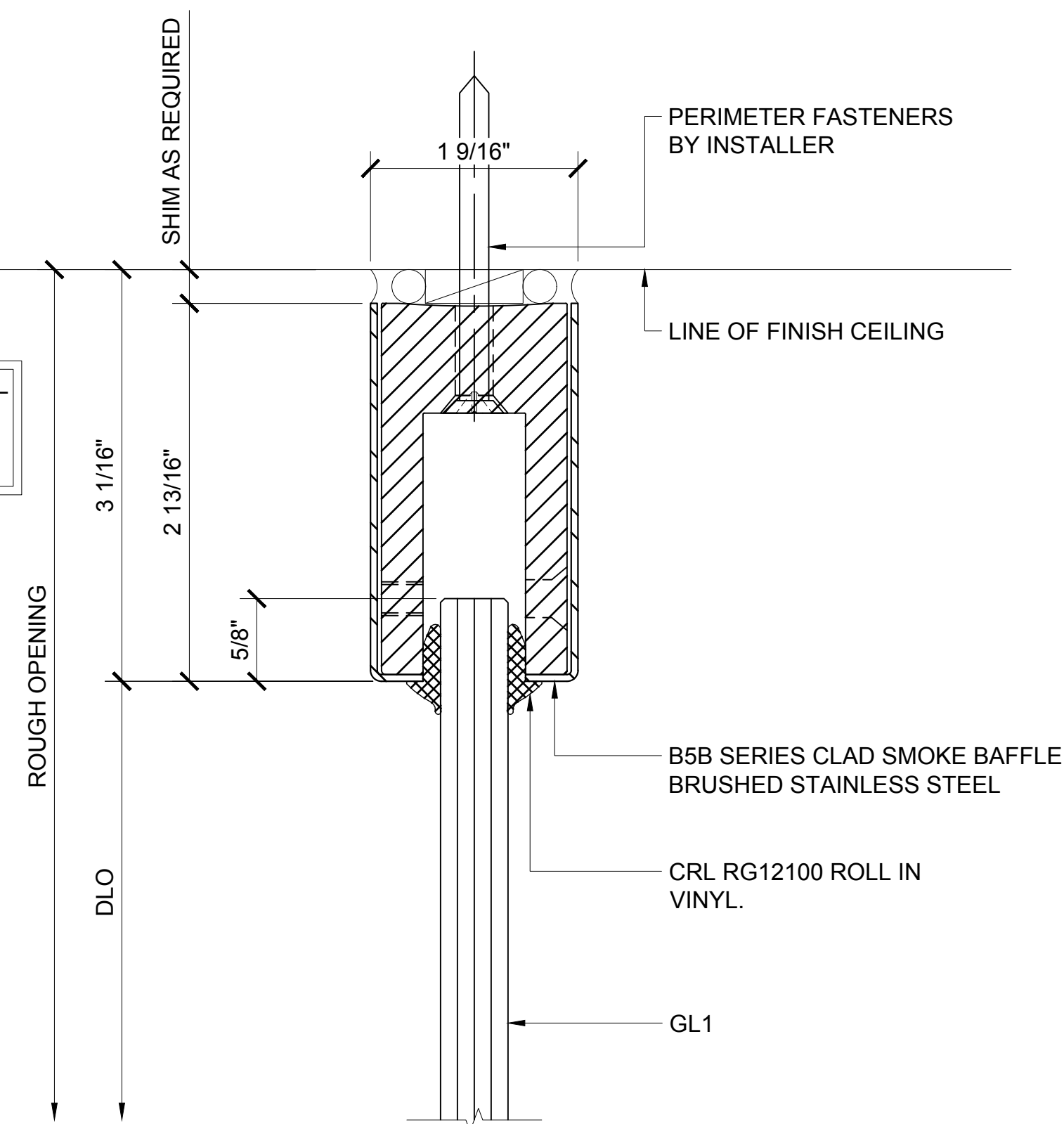
Discription:  
 CRL LAGUNA OFFICE  
 PARTITION SYSTEM

Drawn By: AAD  
 Date: 3/3/16  
 Scale: AS NOTED  
 File Name:  
 3.CRL.LSGM5BS.LAGUNA.SERIES  
 GLASS.MOUNT.SINGLE.SLIDER.dwg  
 Sheet

NOTE: SMOKE BAFFLE IS NOT INCLUDED IN LAGUNA KIT. MUST BE ORDERED SEPARATELY



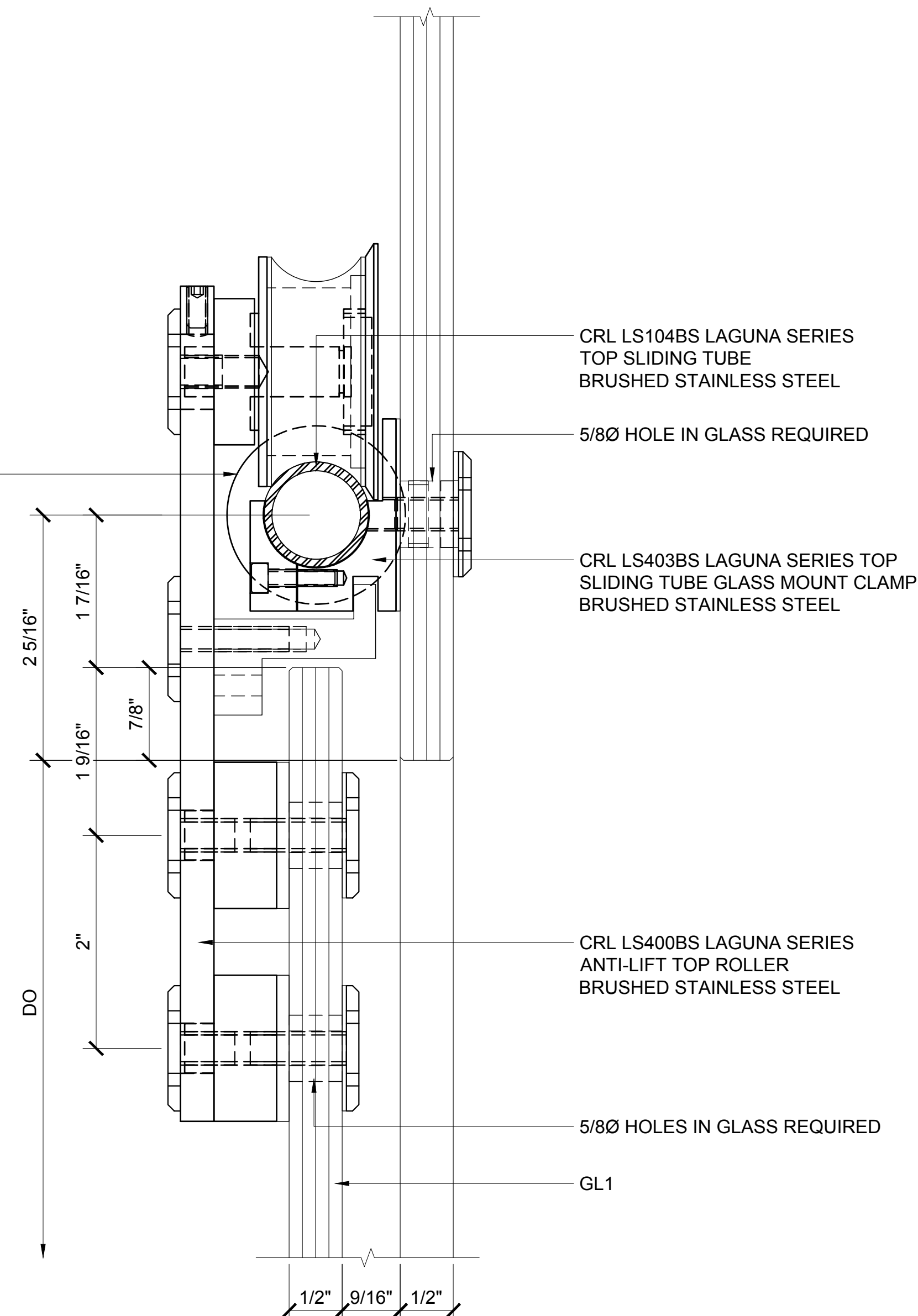
NOTE: TRANSOM CHANNEL IS NOT INCLUDED IN LAGUNA KIT. MUST BE ORDERED SEPARATELY



**2 SIDELITE HEAD DETAIL**

ARCH REF: 1'-0"=1'-0"

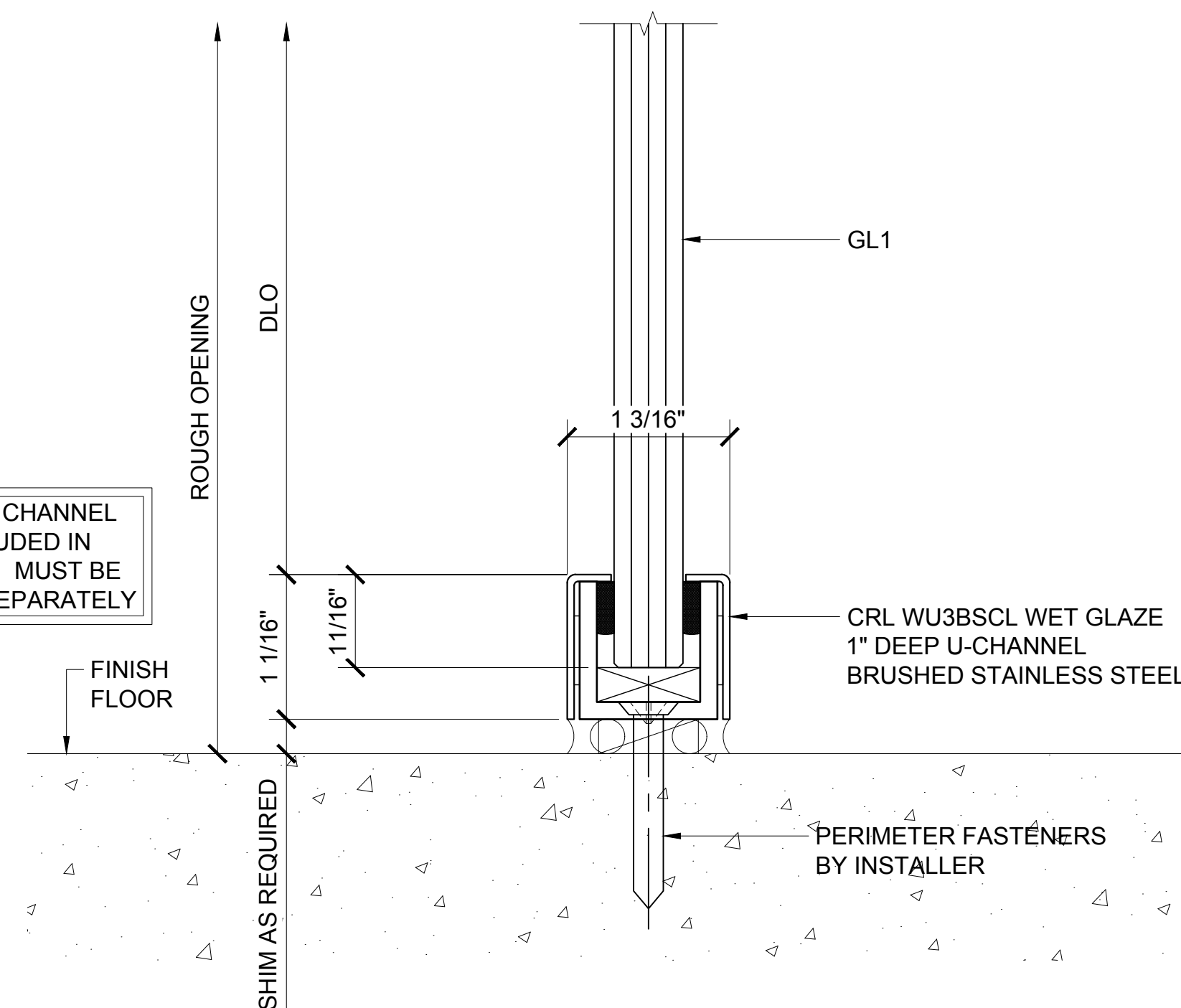
CRL LS106BS LAGUNA SERIES TOP SLIDING TUBE WALL MOUNT END CAP - BRUSHED STAINLESS STEEL



**1 DOOR HEAD / TRANSOM DETAIL**

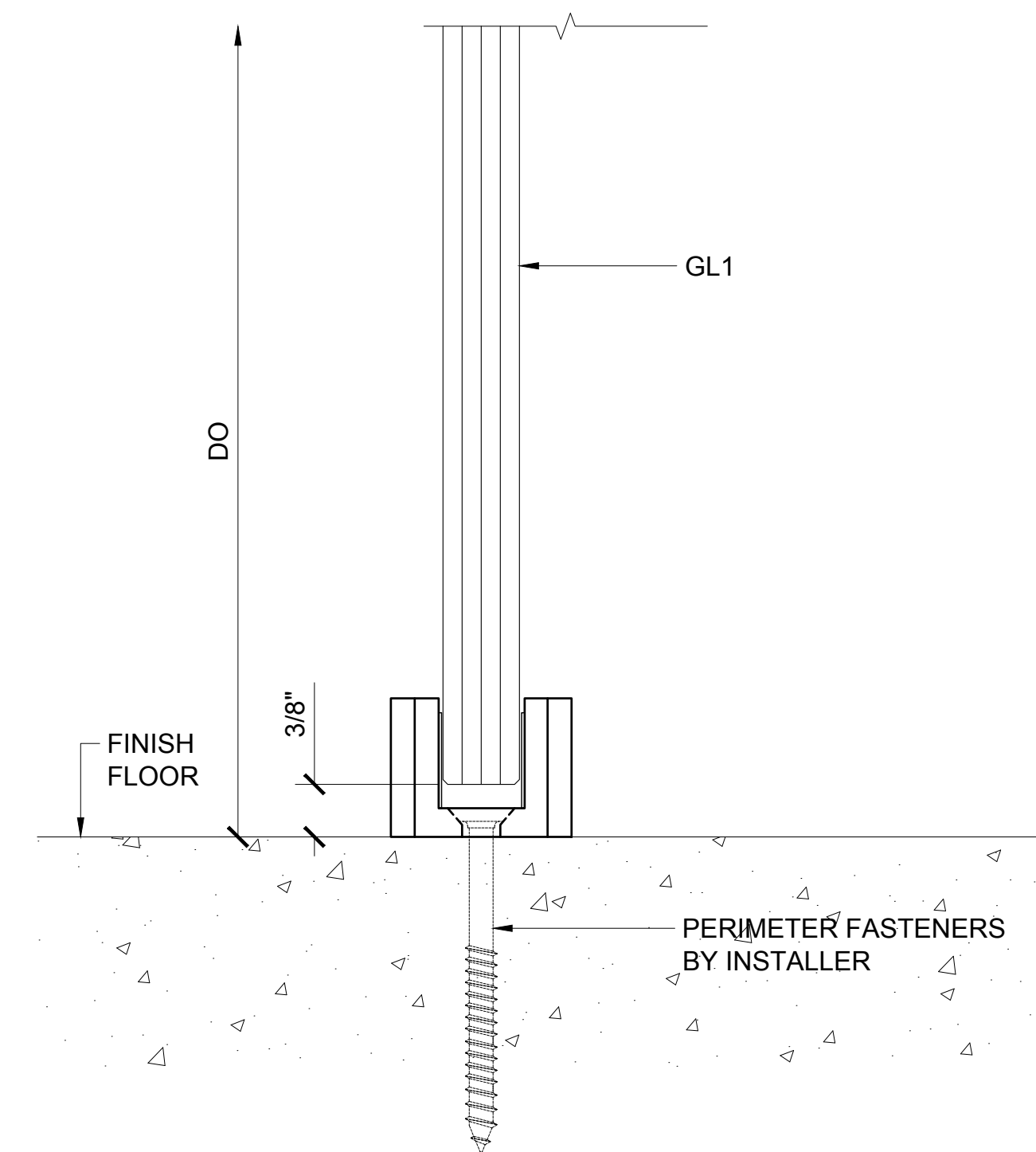
ARCH REF: 1'-0"=1'-0"

NOTE: BASE CHANNEL IS NOT INCLUDED IN LAGUNA KIT. MUST BE ORDERED SEPARATELY



**3 SIDELITE SILL DETAIL**

ARCH REF: 1'-0"=1'-0"



**4 DOOR SILL DETAIL**

ARCH REF: 1'-0"=1'-0"

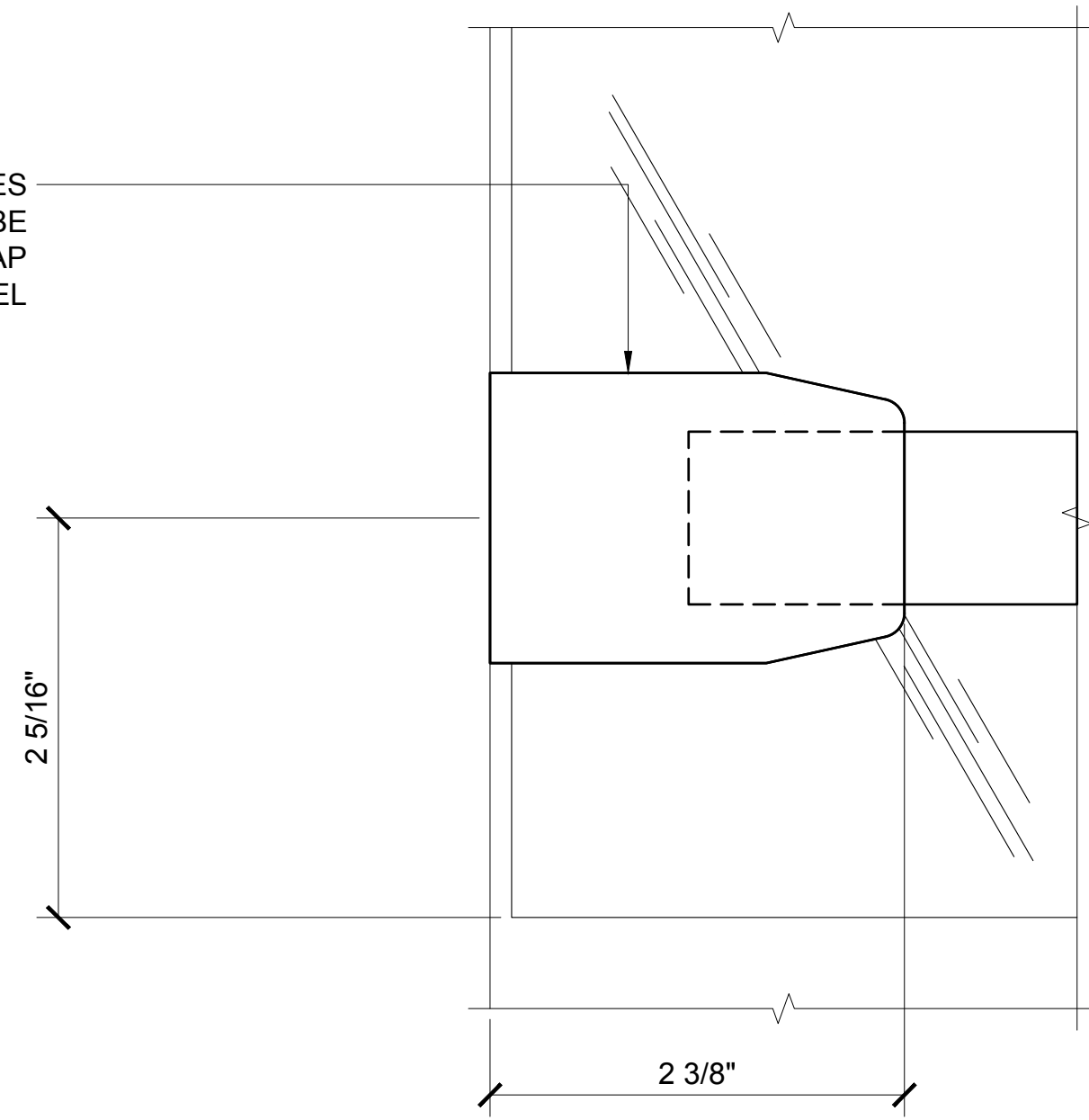
Revisions By:



Discription:  
CRL LAGUNA OFFICE  
PARTITION SYSTEM

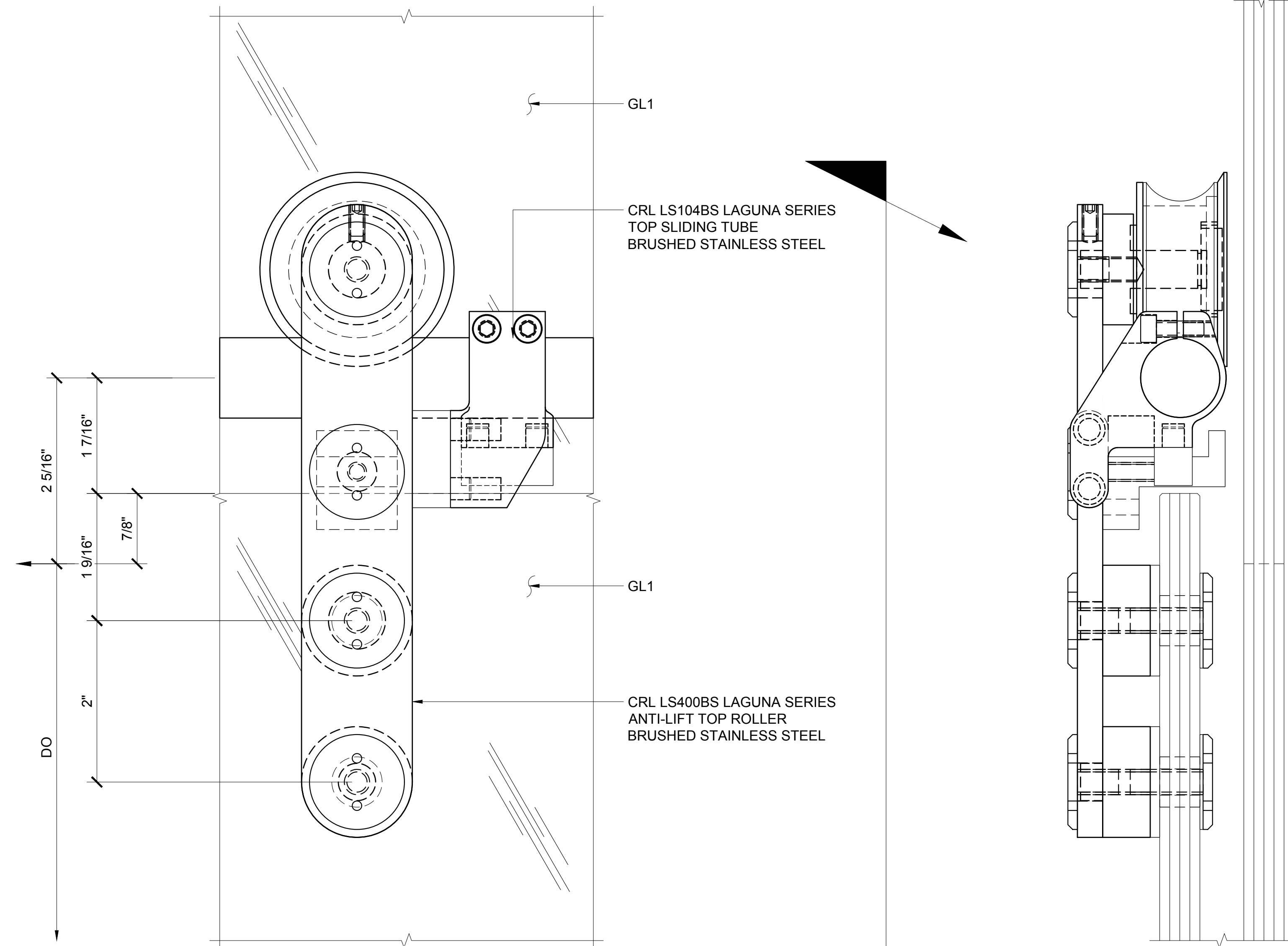
Drawn By: AAD  
Date: 3/3/16  
Scale: AS NOTED  
File Name:  
3-CRL LSGM5BS LAGUNA SERIES  
GLASS MOUNT SINGLE SLIDER.dwg  
Sheet

CRL LS106BS LAGUNA SERIES  
TOP SLIDING TUBE  
WALL MOUNT END CAP  
BRUSHED STAINLESS STEEL



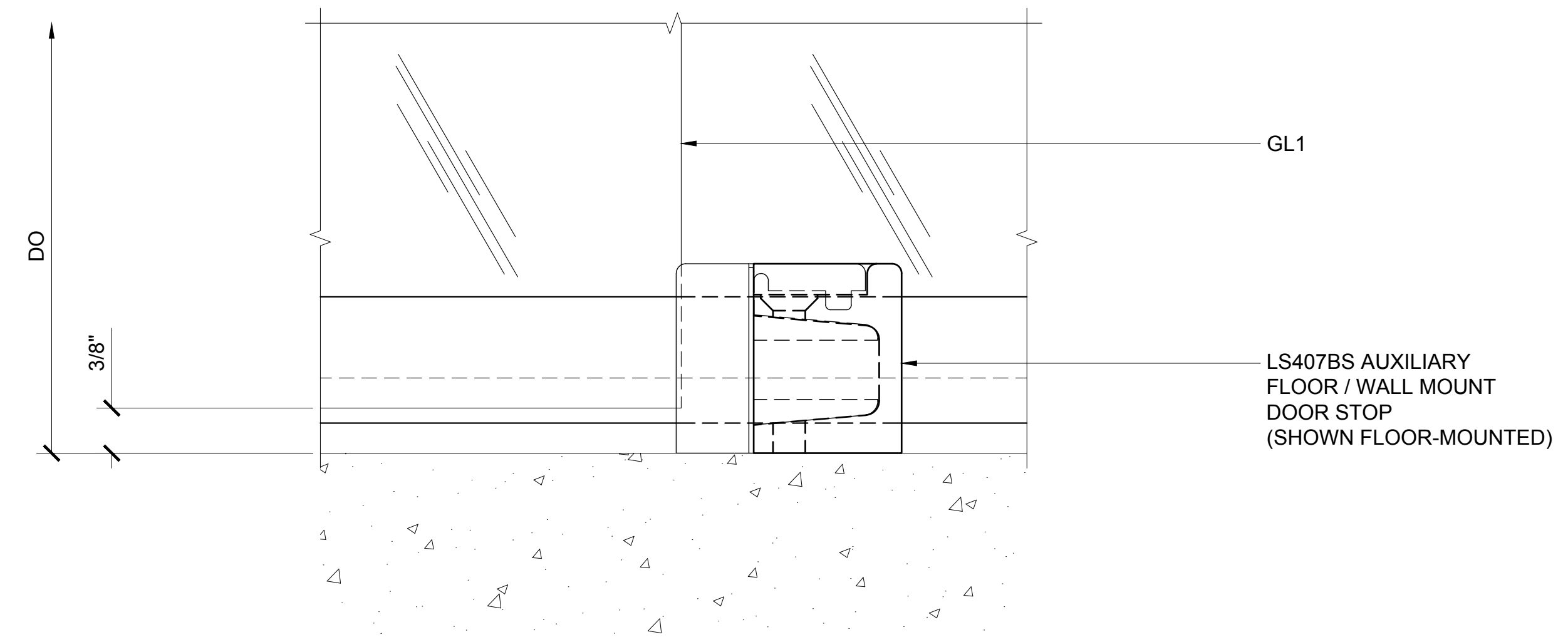
**1 WALL MOUNT END CAP DETAIL**

ARCH REF: 1'-0"=1'-0"



**2 TOP BUMPER DETAIL**

ARCH REF: 1'-0"=1'-0"



**3 BOTTOM BUMPER DETAIL**

ARCH REF: 1'-0"=1'-0"

Revisions By:



Description:  
CRL LAGUNA OFFICE  
PARTITION SYSTEM

Drawn By: AAD  
Date: 3/3/16  
Scale: AS NOTED  
File Name:  
3-CRL LSGM5BS LAGUNA SERIES  
GLASS MOUNT SINGLE SLIDER.dwg  
Sheet