



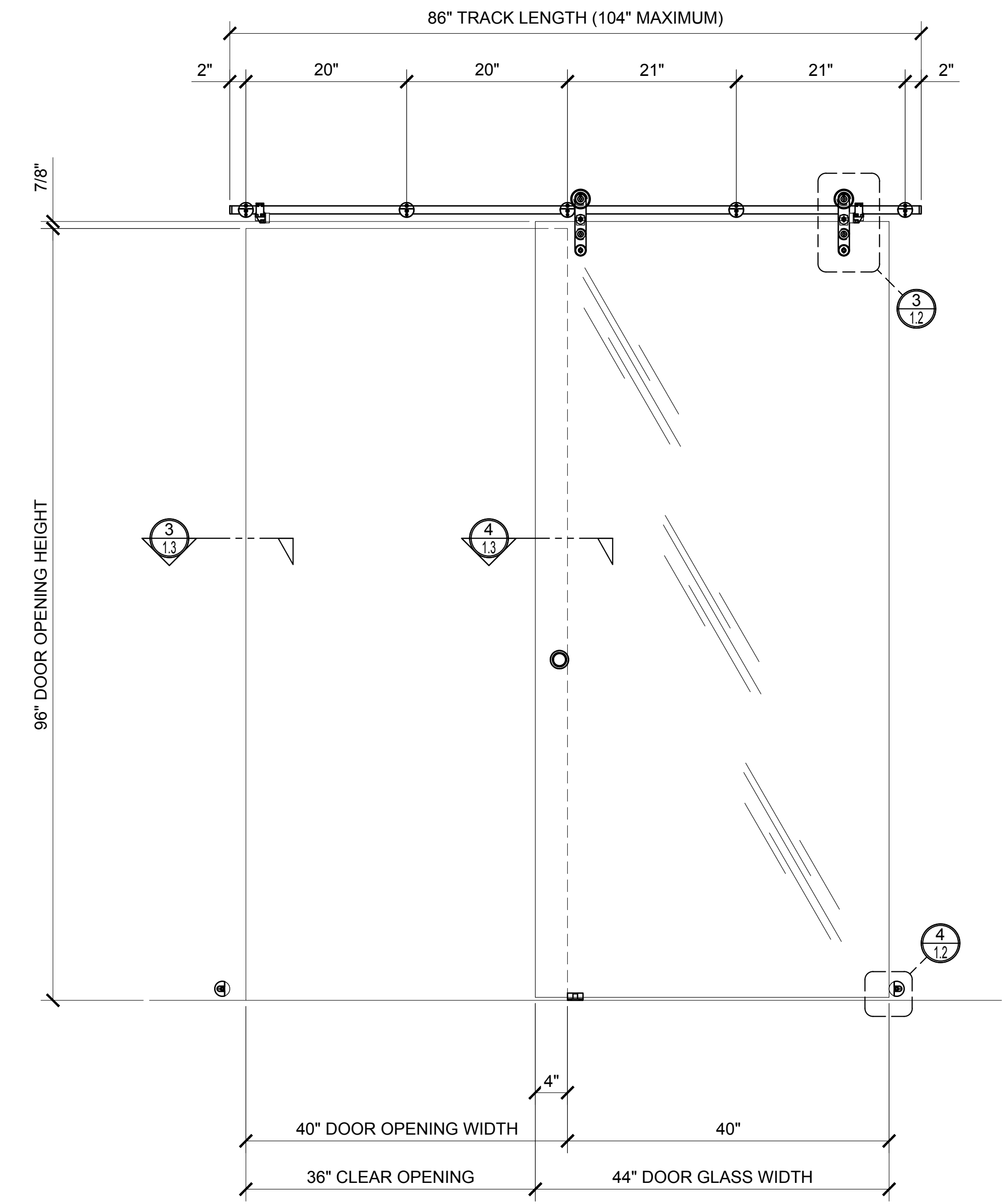
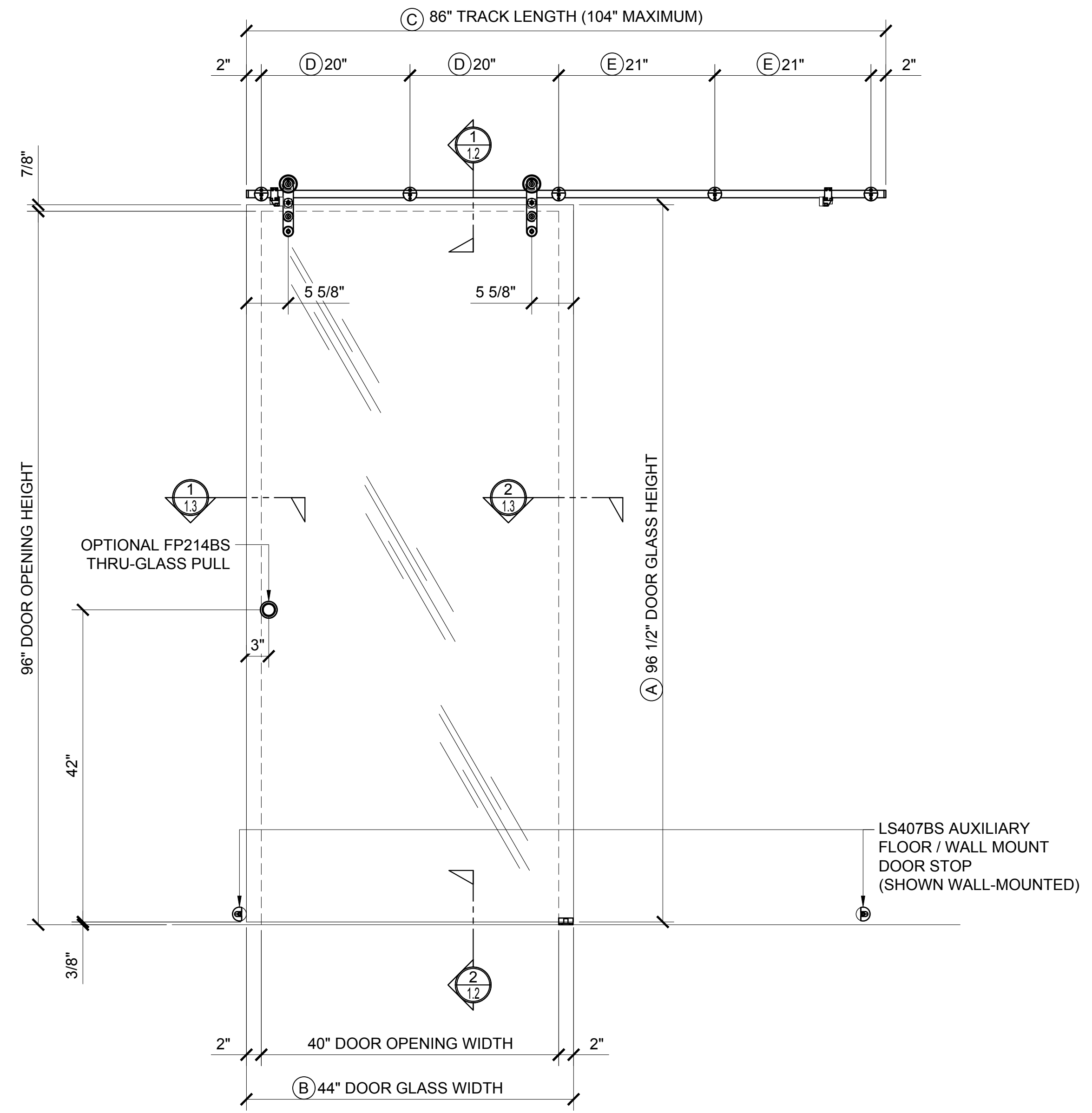
DOOR SYSTEM LIMITATIONS
 MAXIMUM DOOR WEIGHT: 220 lbs. (100 kg)
 MAXIMUM PANEL WIDTH: 53 1/2" (1.36m)
 MAXIMUM PANEL HEIGHT: 98 7/16" (2.50m)
 MAXIMUM TRACK LENGTH: 104" (2.64m)

- * ANTI-LIFT FEATURE FOR ADDED SAFETY
- * ALL 316 ALLOY BRUSHED STAINLESS STEEL CONSTRUCTION
- * IDEAL FOR INTERIOR APPLICATIONS
- * FOR USE WITH 3/8" OR 1/2" (10mm OR 12mm) GLASS
- * COMES WITH ALL FASTENERS NEEDED FOR EITHER FLUSH (COUNTERSUNK) OR SURFACE (STRAIGHT HOLE) MOUNTING
- * ADAPTOR KITS AVAILABLE FOR WOOD DOOR APPLICATIONS

CRL LSWM5BS LAGUNA SERIES WALL MOUNT SINGLE SLIDER

Revisions By:

C.R. LAURENCE CO. ARCHITECTURAL PRODUCTS
 2503 E. Vernon Avenue, Los Angeles, CA 90058-1897
 PH (800)-421-6144 FX (800)-587-7301 www.crlaurence.com



- (A) D.O.H. + 1/2"
- (B) D.O.W. + 4"
- (C) (D.O.W. x 2) + 6"
- (D) D.O.W. / 2
- (E) (B) / 2 - 1"

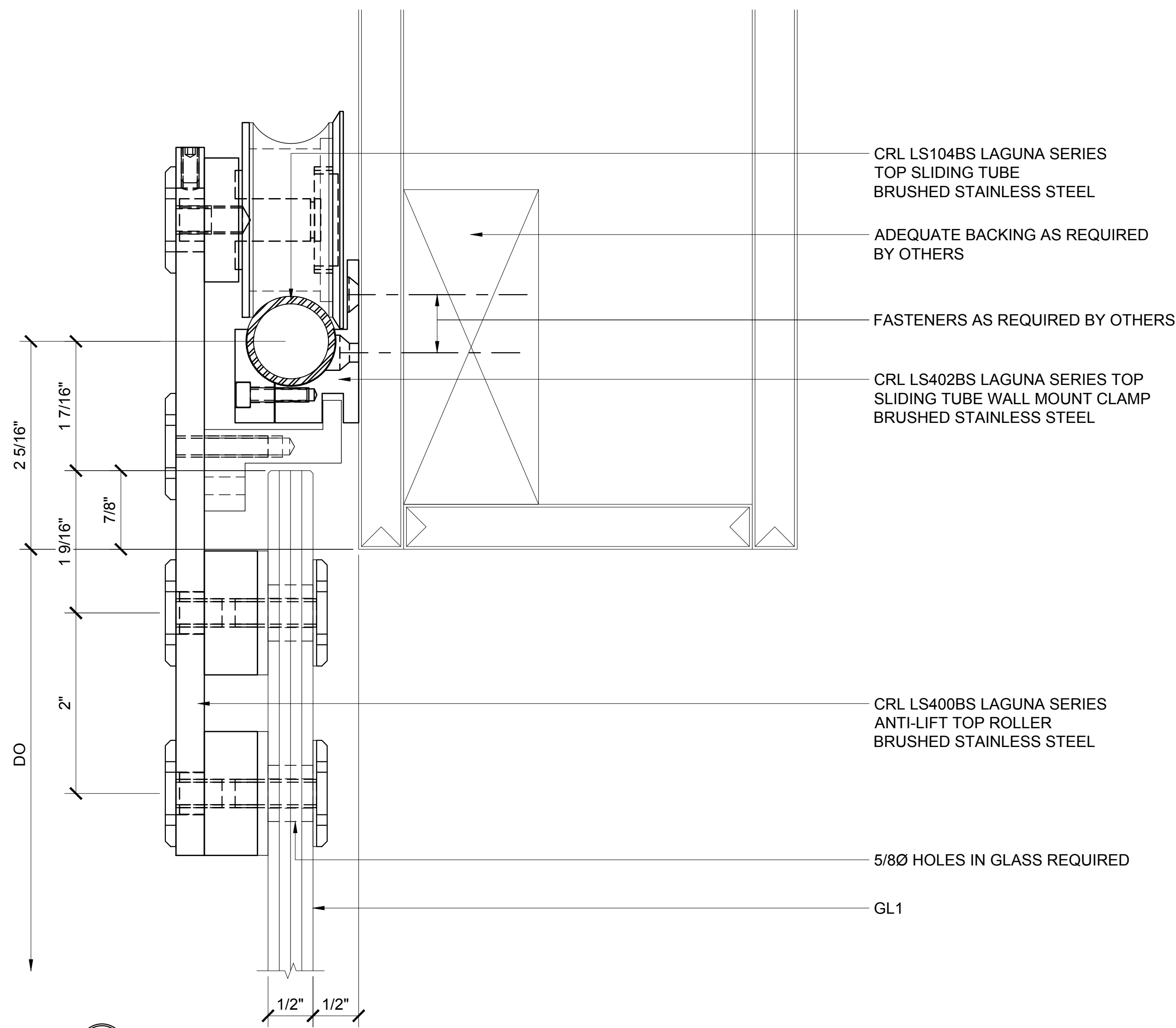
① LAGUNA SERIES DOOR (CLOSED)
 ARCH REF: NONE 1"=1'-0"

② LAGUNA SERIES DOOR (OPEN)
 ARCH REF: NONE 1"=1'-0"

D.O.H. = DOOR OPENING HEIGHT
 D.O.W. = DOOR OPENING WIDTH

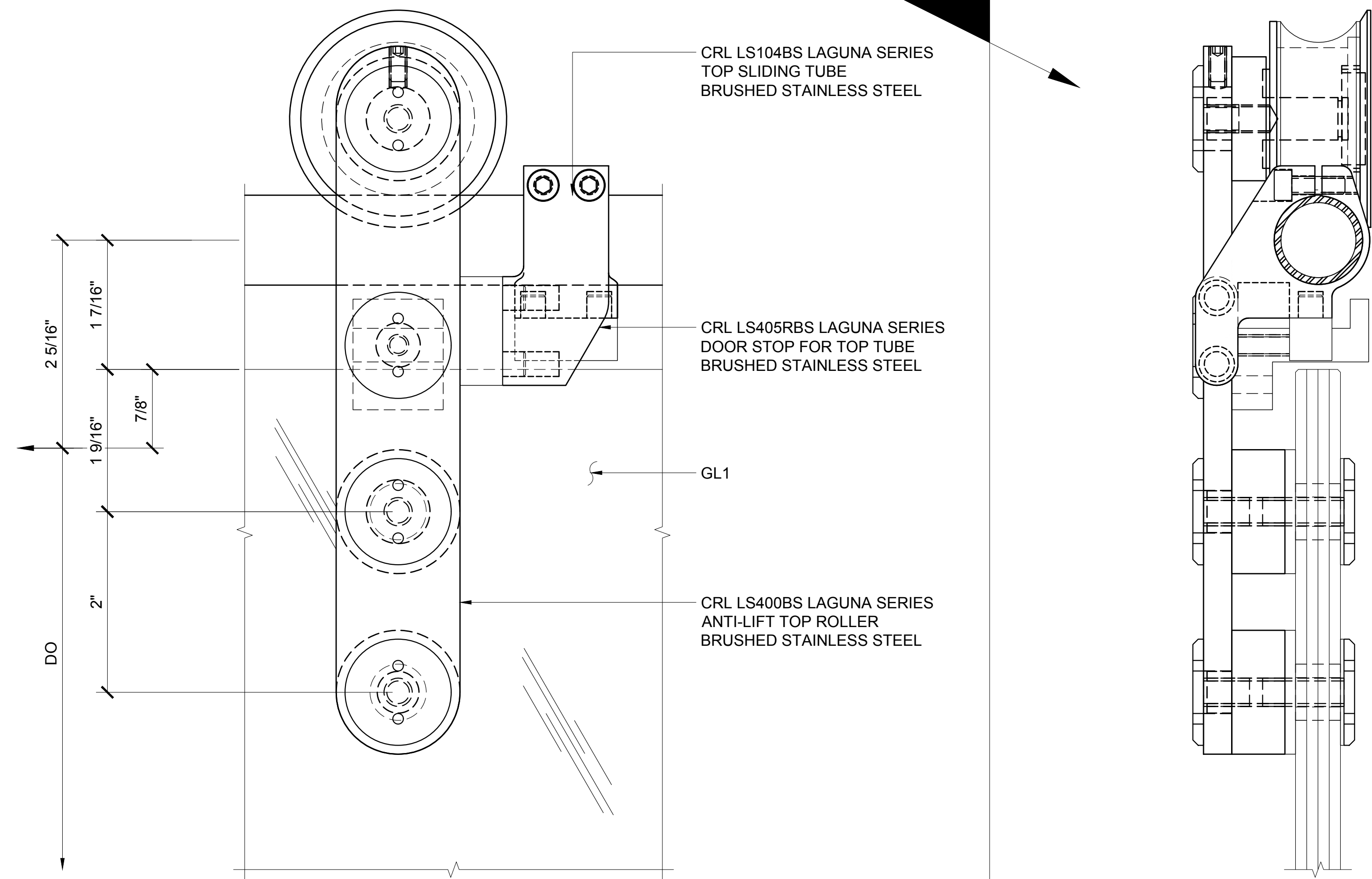
Description:
 CRL LAGUNA OFFICE
 PARTITION SYSTEM

Drawn By: AAD
 Date: 3/3/16
 Scale: AS NOTED
 File Name:
 0-CRL Laguna Office Partition System.dwg
 Sheet



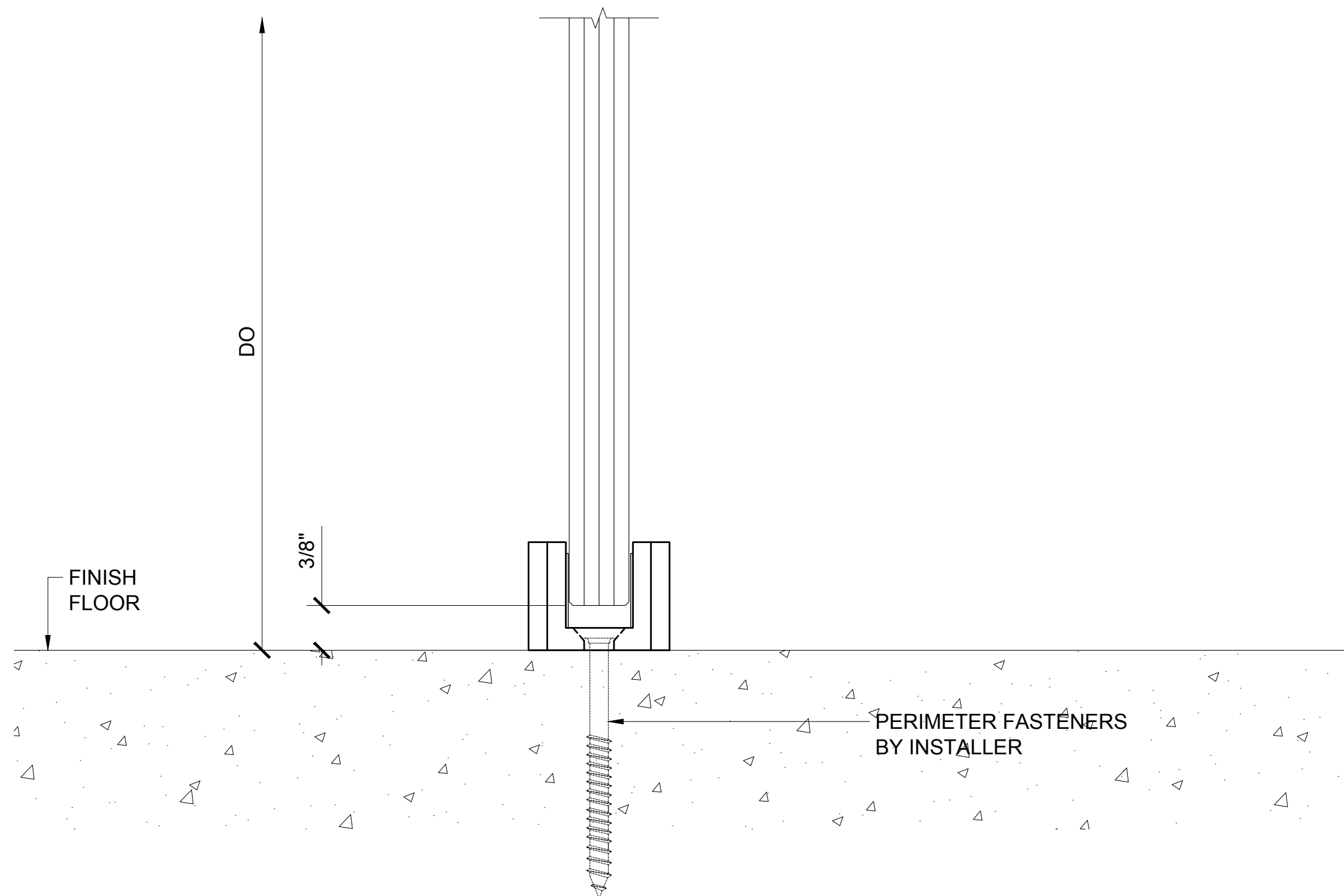
1 DOOR HEAD DETAIL

ARCH REF: 1'-0"=1'-0"



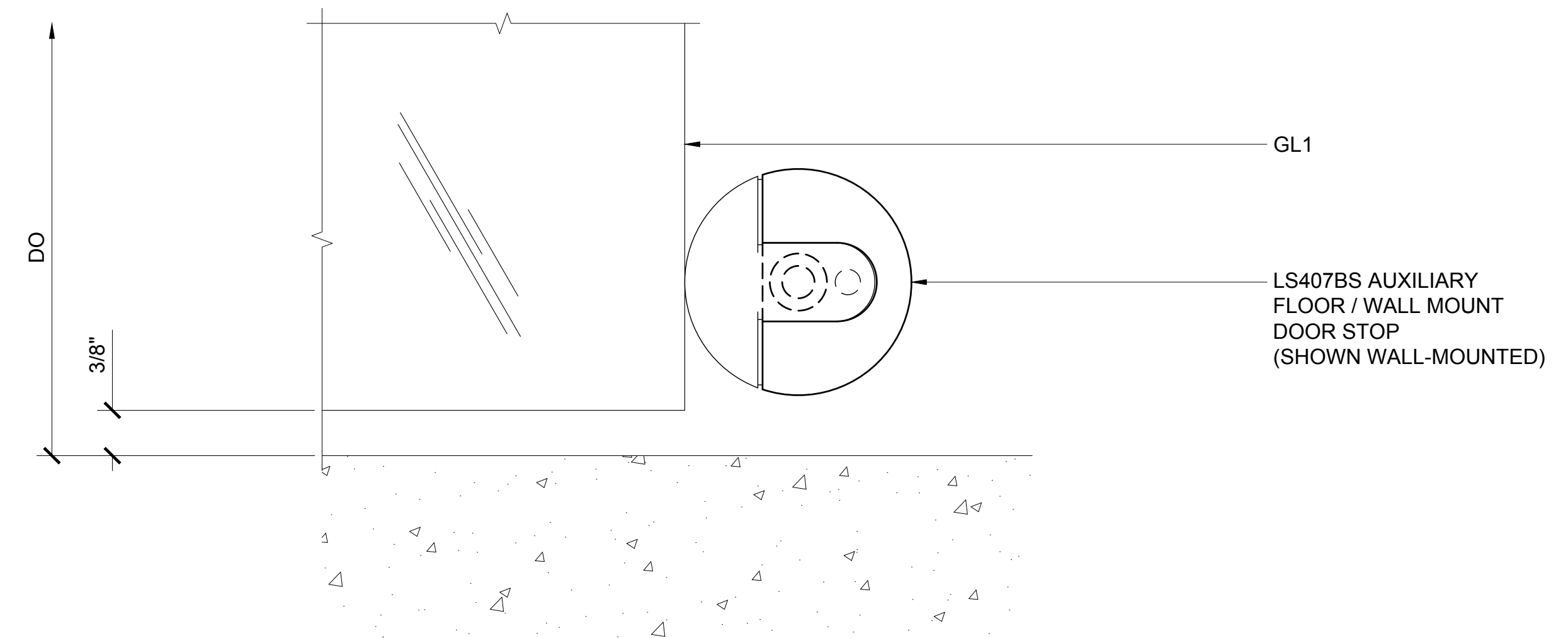
3 TOP BUMPER DETAIL

ARCH REF: 1'-0"=1'-0"



2 DOOR SILL DETAIL

ARCH REF: 1'-0"=1'-0"



4 BOTTOM BUMPER DETAIL

ARCH REF: 1'-0"=1'-0"

Discription:

CRL LAGUNA OFFICE PARTITION SYSTEM

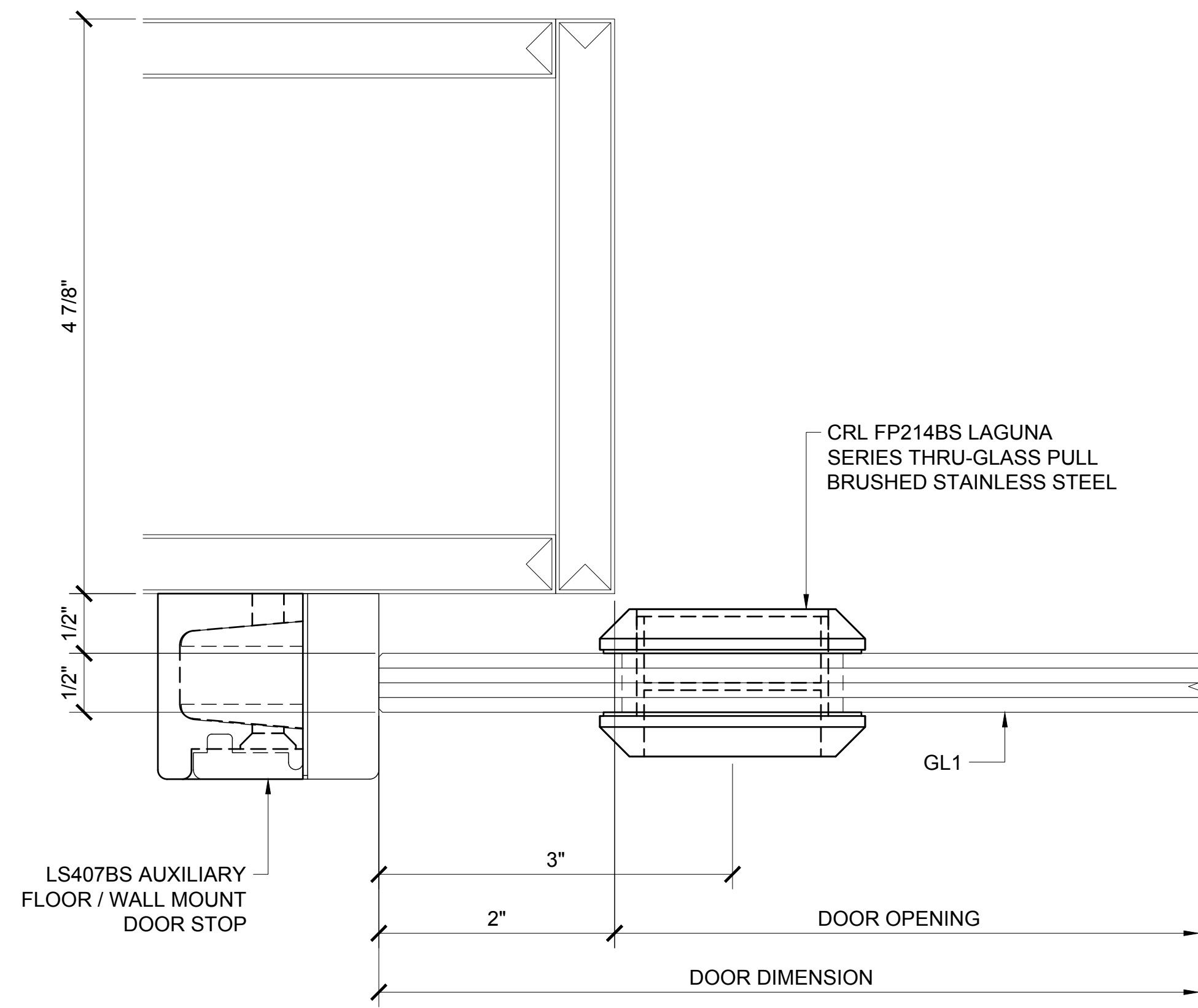
Drawn By: AAD

Date: 3/3/16

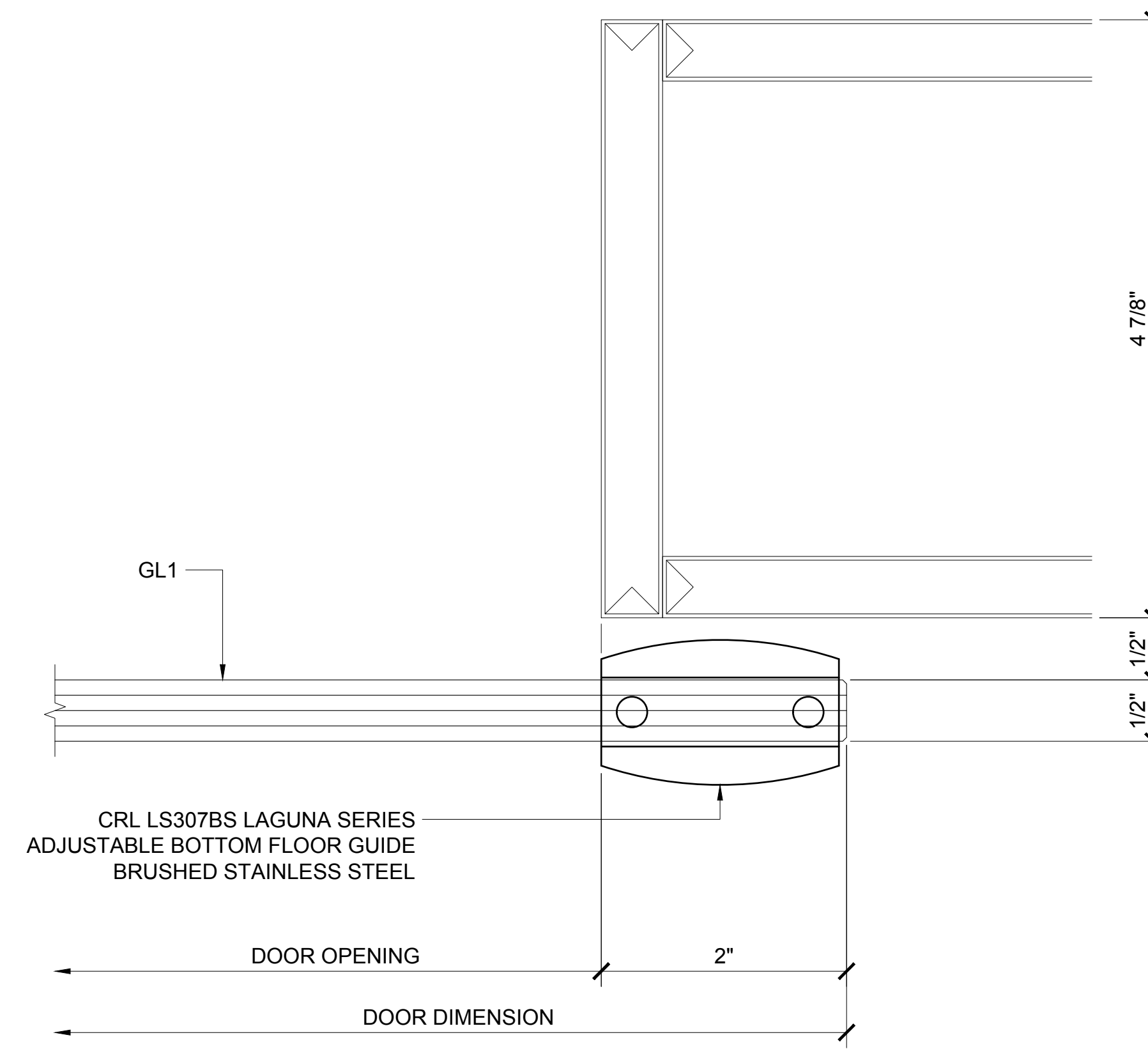
Scale: AS NOTED

File Name:

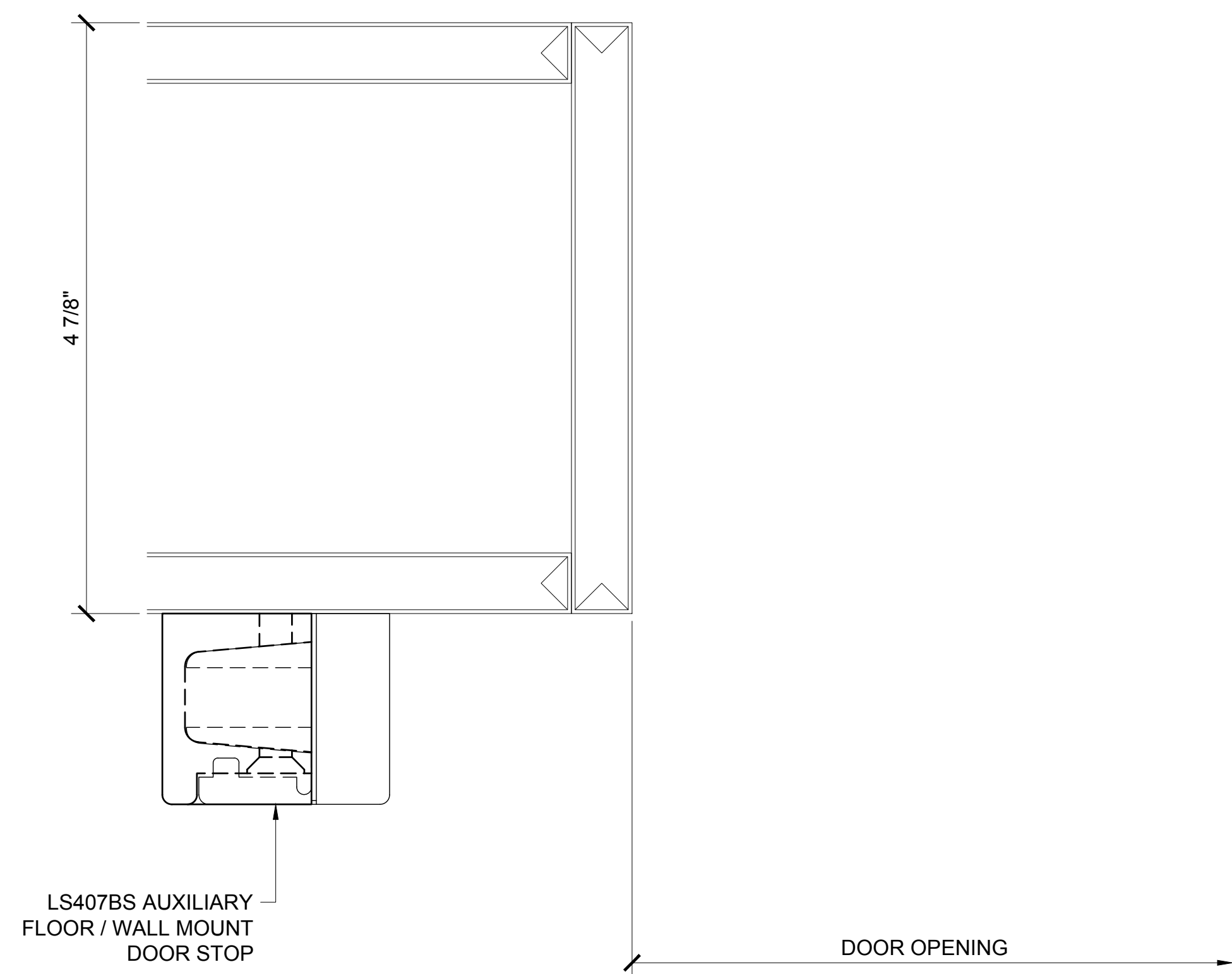
0-CRL Laguna Office Partition System.dwg
 Sheet



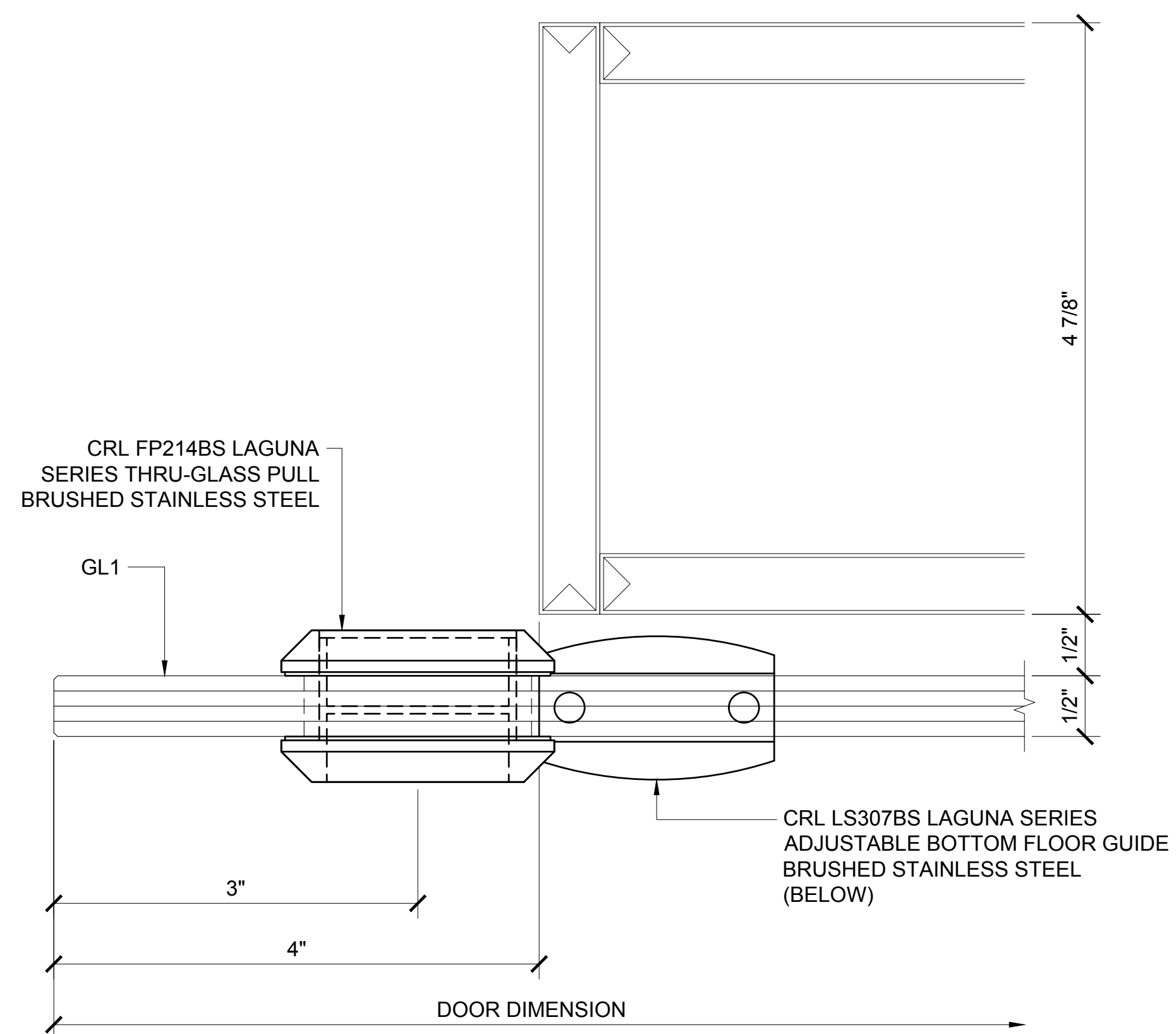
① DOOR JAMB DETAIL (DOOR CLOSED)
 ARCH REF: 1'-0"=1'-0"



② DOOR JAMB DETAIL (DOOR CLOSED)
 ARCH REF: 1'-0"=1'-0"



③ DOOR JAMB DETAIL (DOOR OPEN)
 ARCH REF: 1'-0"=1'-0"



④ DOOR JAMB DETAIL (DOOR OPEN)
 ARCH REF: 1'-0"=1'-0"

Revisions By:



Description:
 CRL LAGUNA OFFICE
 PARTITION SYSTEM

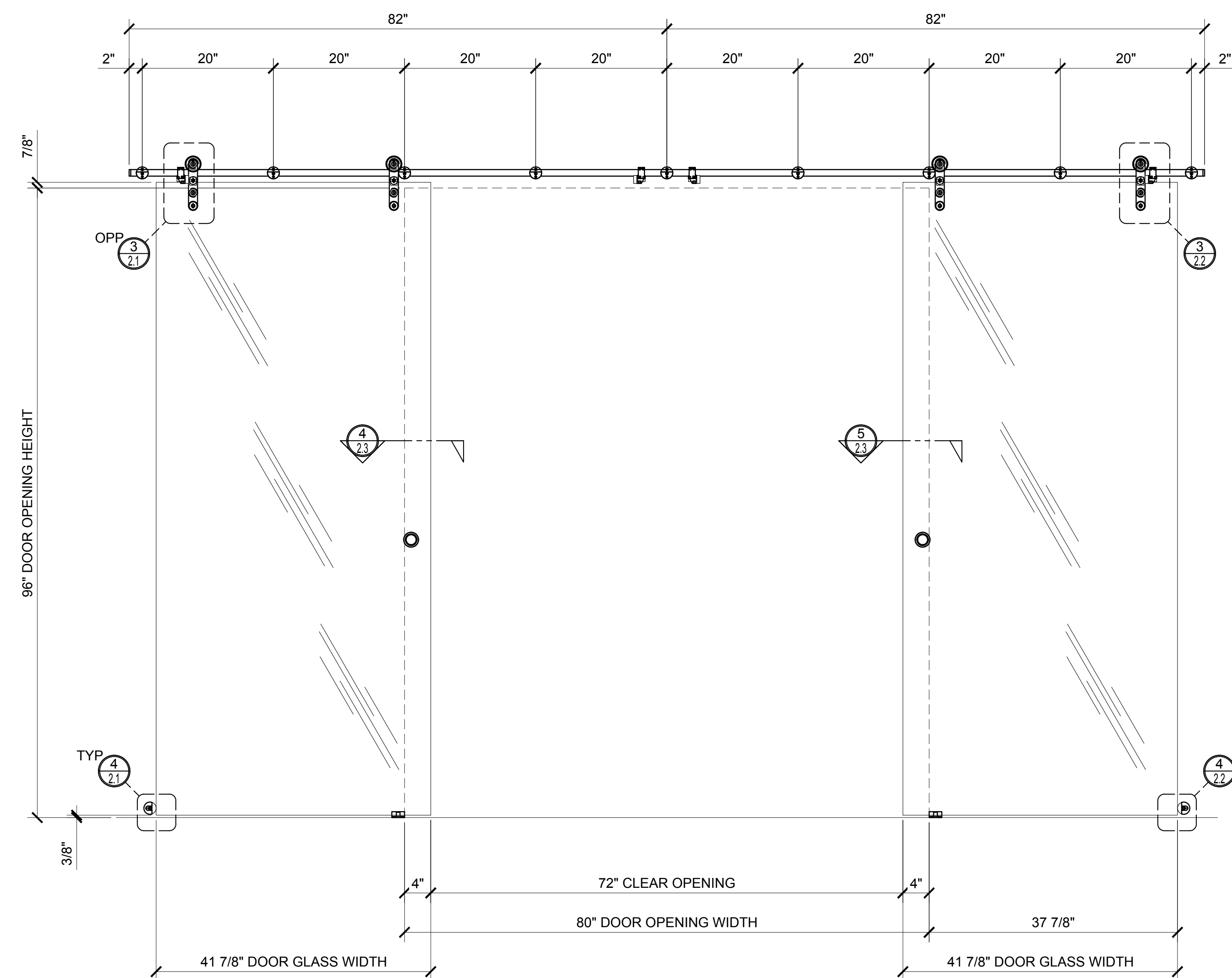
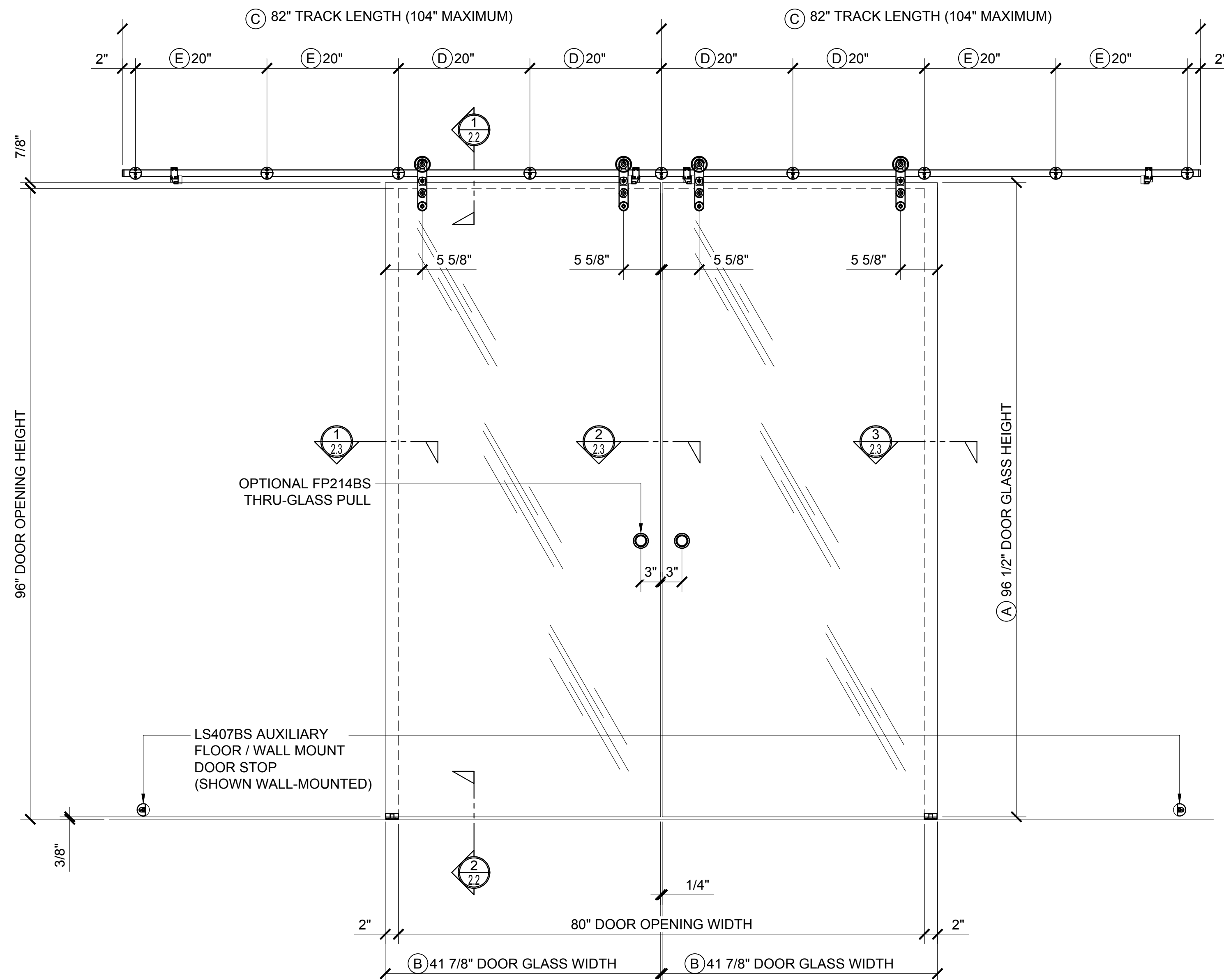
Drawn By: AAD
 Date: 3/3/16
 Scale: AS NOTED
 File Name:
 0-CRL Laguna Office Partition System.dwg
 Sheet



DOOR SYSTEM LIMITATIONS
 MAXIMUM DOOR WEIGHT: 220 lbs. (100 kg)
 MAXIMUM PANEL WIDTH: 53 1/2" (1.36m)
 MAXIMUM PANEL HEIGHT: 98 7/16" (2.50m)
 MAXIMUM TRACK LENGTH: 104" (2.64m)

- * ANTI-LIFT FEATURE FOR ADDED SAFETY
- * ALL 316 ALLOY BRUSHED STAINLESS STEEL CONSTRUCTION
- * IDEAL FOR INTERIOR APPLICATIONS
- * FOR USE WITH 3/8" OR 1/2" (10mm OR 12mm) GLASS
- * COMES WITH ALL FASTENERS NEEDED FOR EITHER FLUSH (COUNTERSUNK) OR SURFACE (STRAIGHT HOLE) MOUNTING
- * ADAPTOR KITS AVAILABLE FOR WOOD DOOR APPLICATIONS

CRL LSWM6BS LAGUNA SERIES WALL MOUNT BI-PARTING SLIDER



- (A) D.O.H. + 1/2"
- (B) (D.O.W. / 2) + 1 7/8"
- (C) D.O.W. + 2"
- (D) D.O.W. / 4
- (E) D.O.W. / 4

1 LAGUNA SERIES DOOR (CLOSED)
 ARCH REF: NONE 1"=1'-0"

D.O.H. = DOOR OPENING HEIGHT
 D.O.W. = DOOR OPENING WIDTH

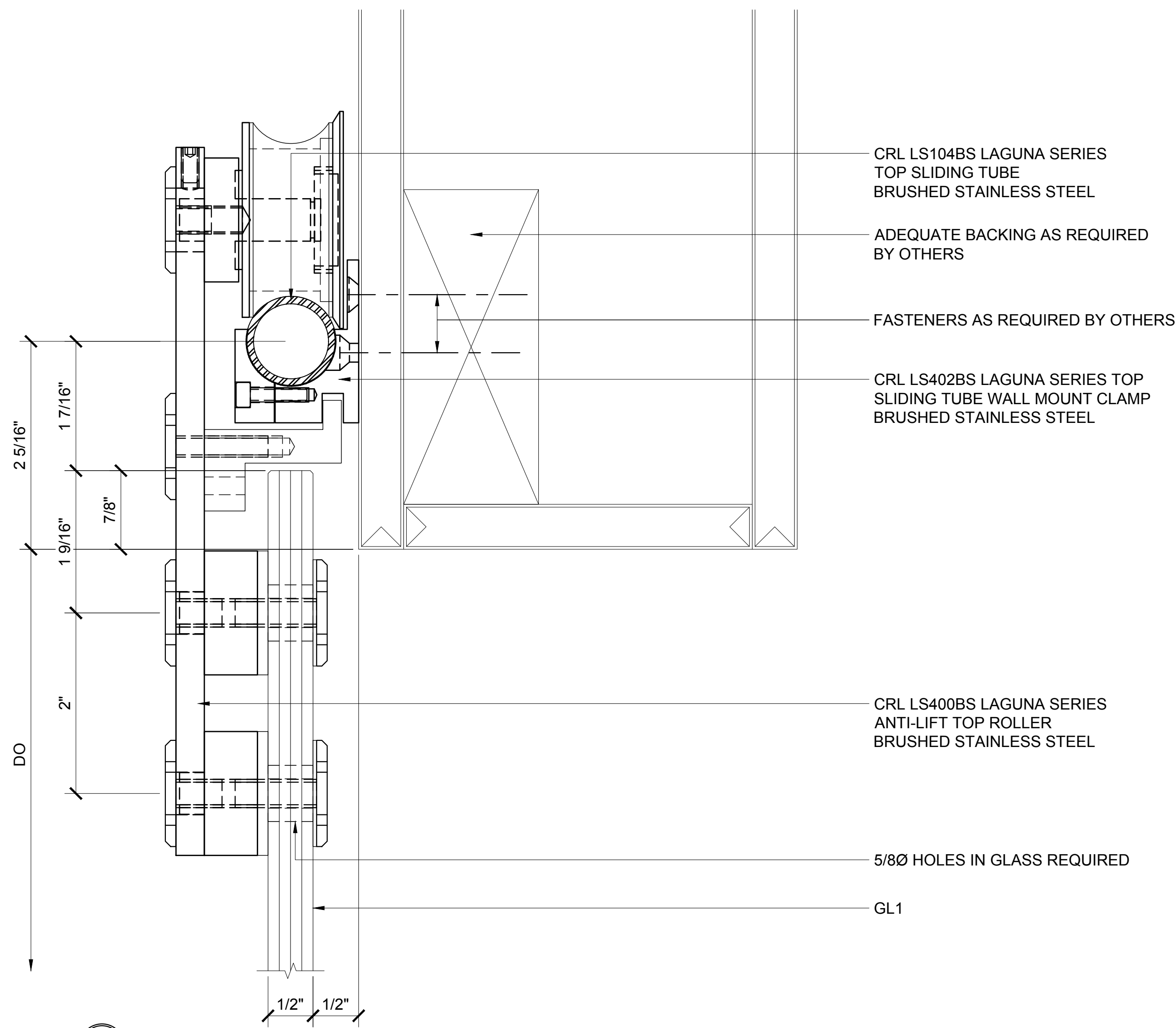
2 LAGUNA SERIES DOOR (OPEN)
 ARCH REF: NONE 1"=1'-0"

Revisions By:



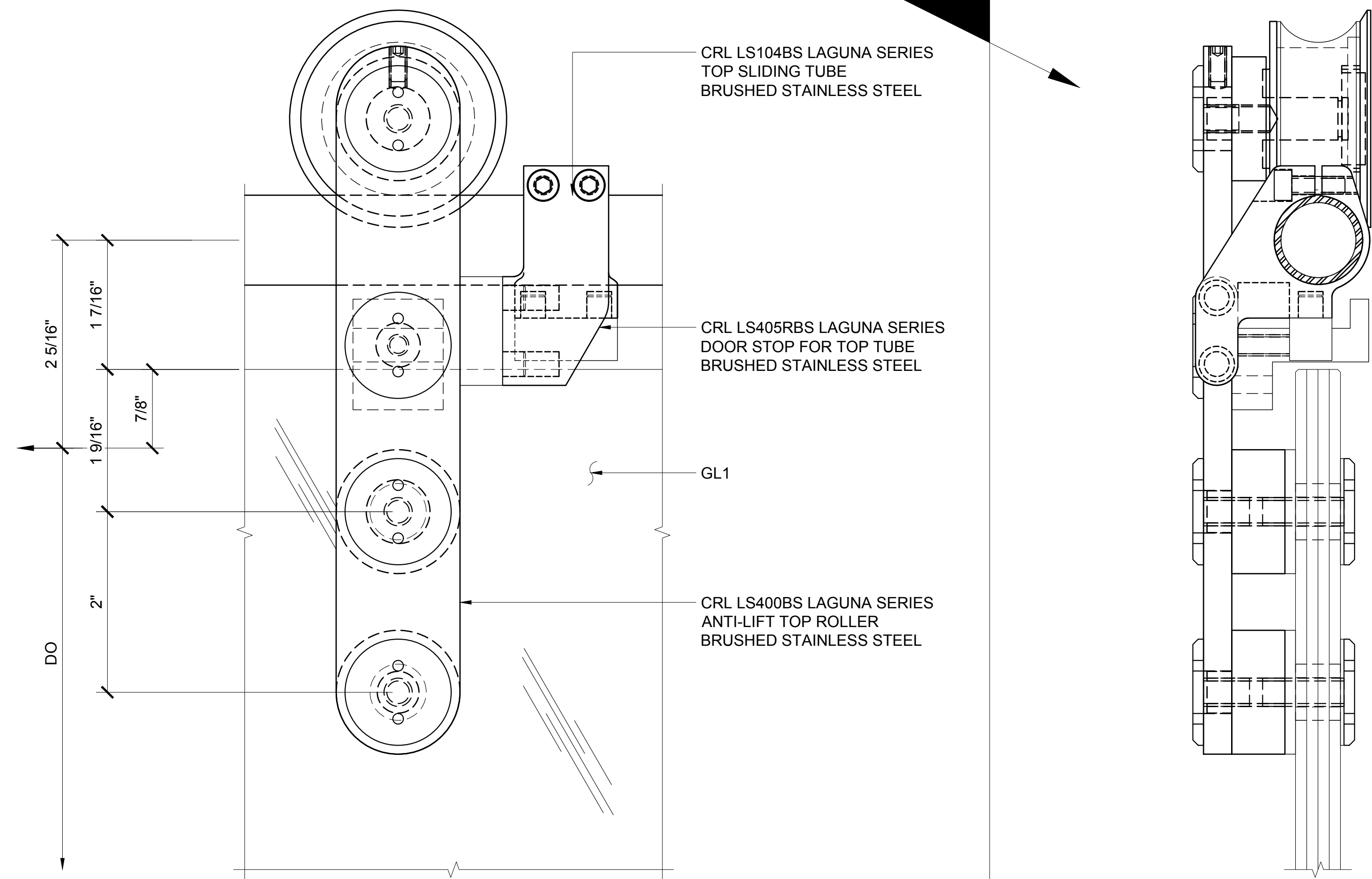
Description:
 CRL LAGUNA OFFICE
 PARTITION SYSTEM

Drawn By: AAD
 Date: 3/3/16
 Scale: AS NOTED
 File Name:
 0-CRL Laguna Office Partition System.dwg
 Sheet



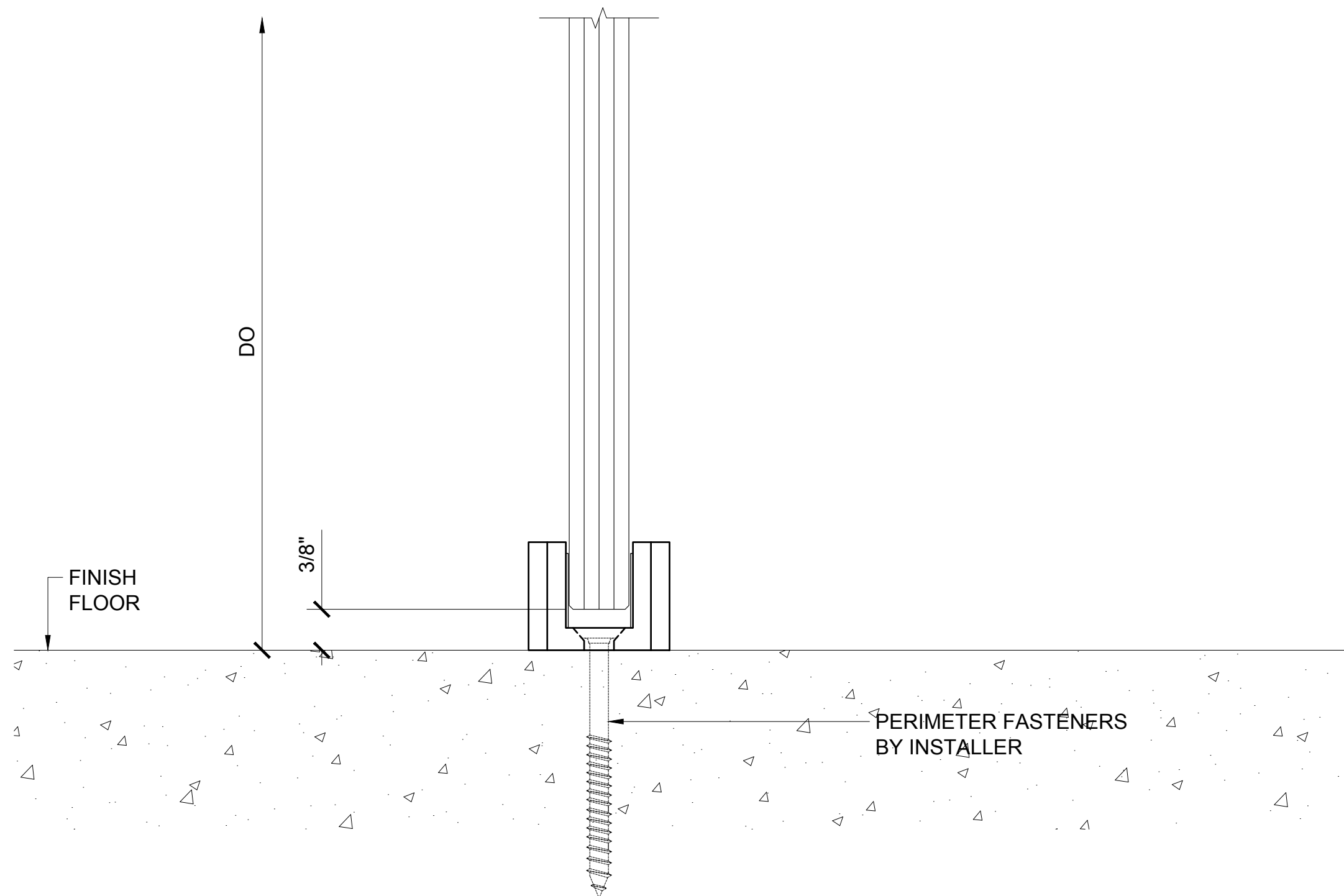
1 DOOR HEAD DETAIL

ARCH REF: 1'-0"=1'-0"



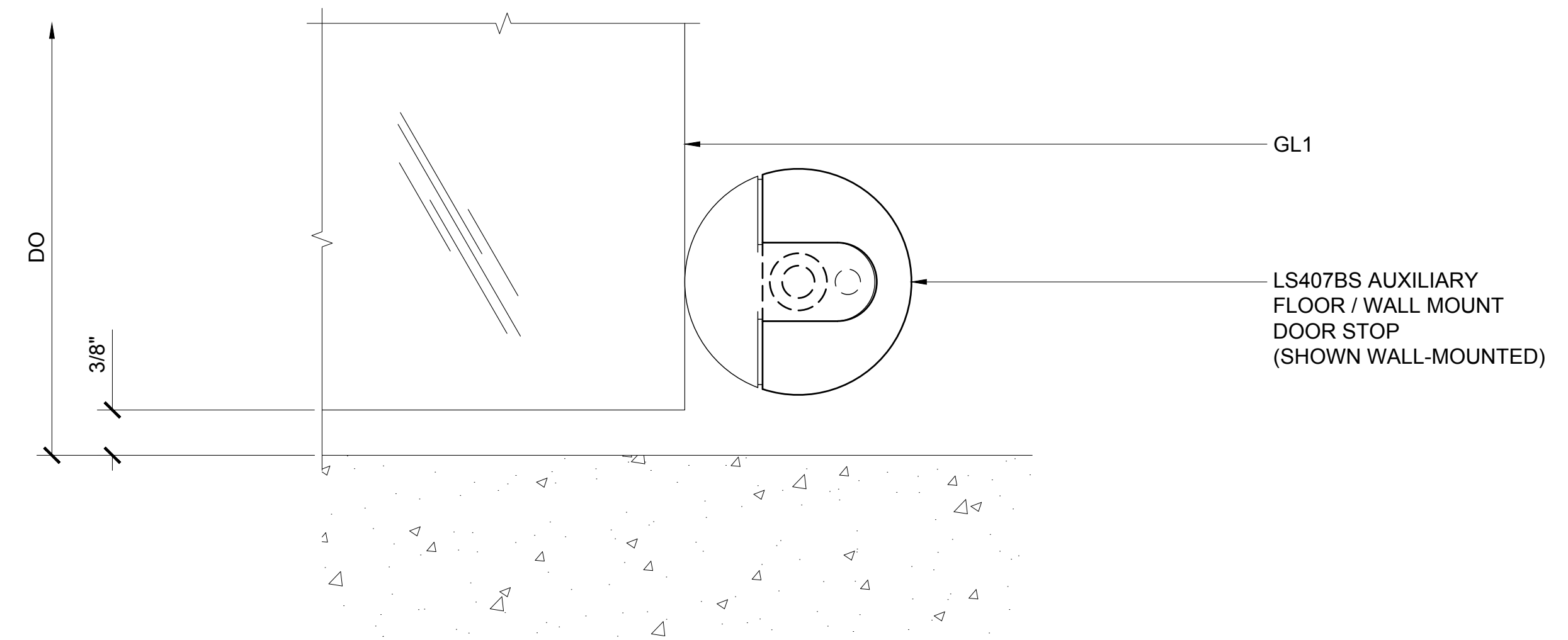
3 TOP BUMPER DETAIL

ARCH REF: 1'-0"=1'-0"



2 DOOR SILL DETAIL

ARCH REF: 1'-0"=1'-0"

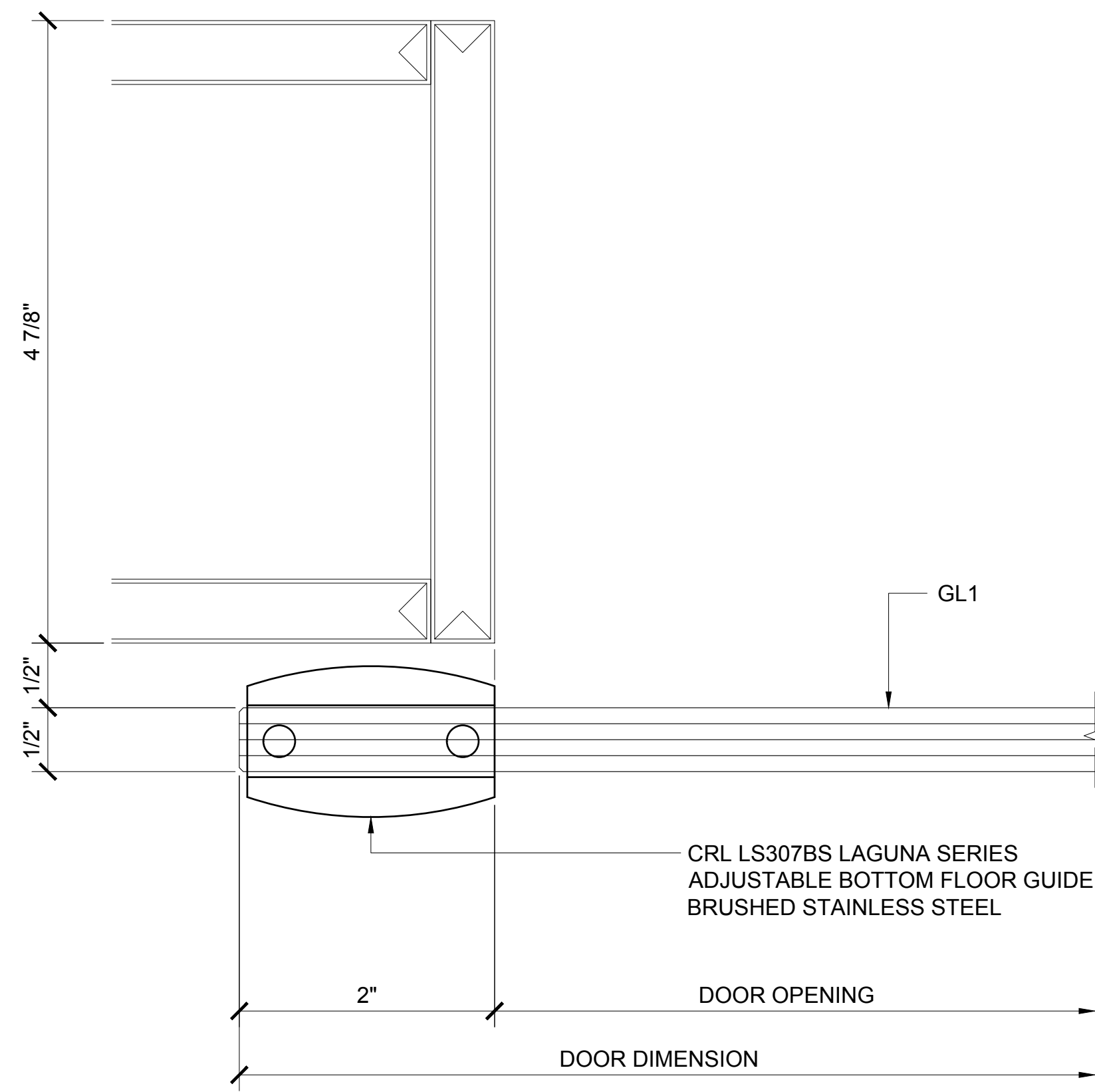


4 BOTTOM BUMPER DETAIL

ARCH REF: 1'-0"=1'-0"

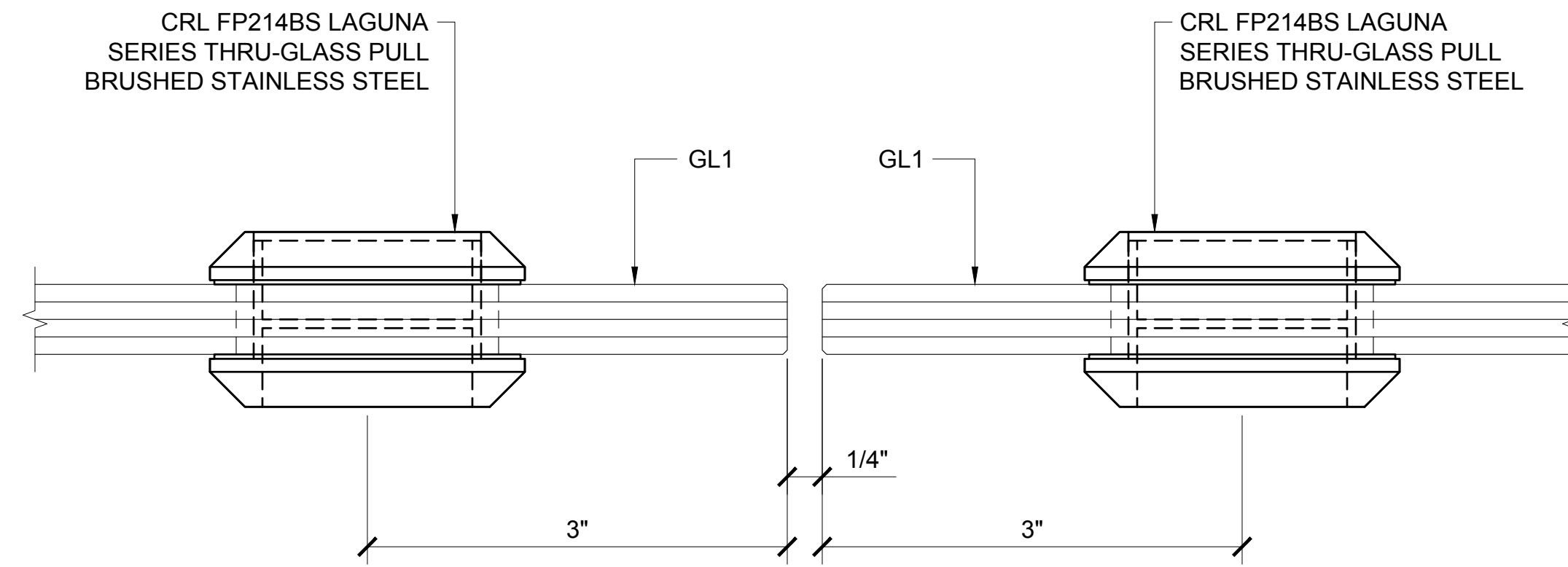
Discription:
 CRL LAGUNA OFFICE
 PARTITION SYSTEM

Drawn By: AAD
 Date: 3/3/16
 Scale: AS NOTED
 File Name:
 0-CRL Laguna Office Partition System.dwg
 Sheet



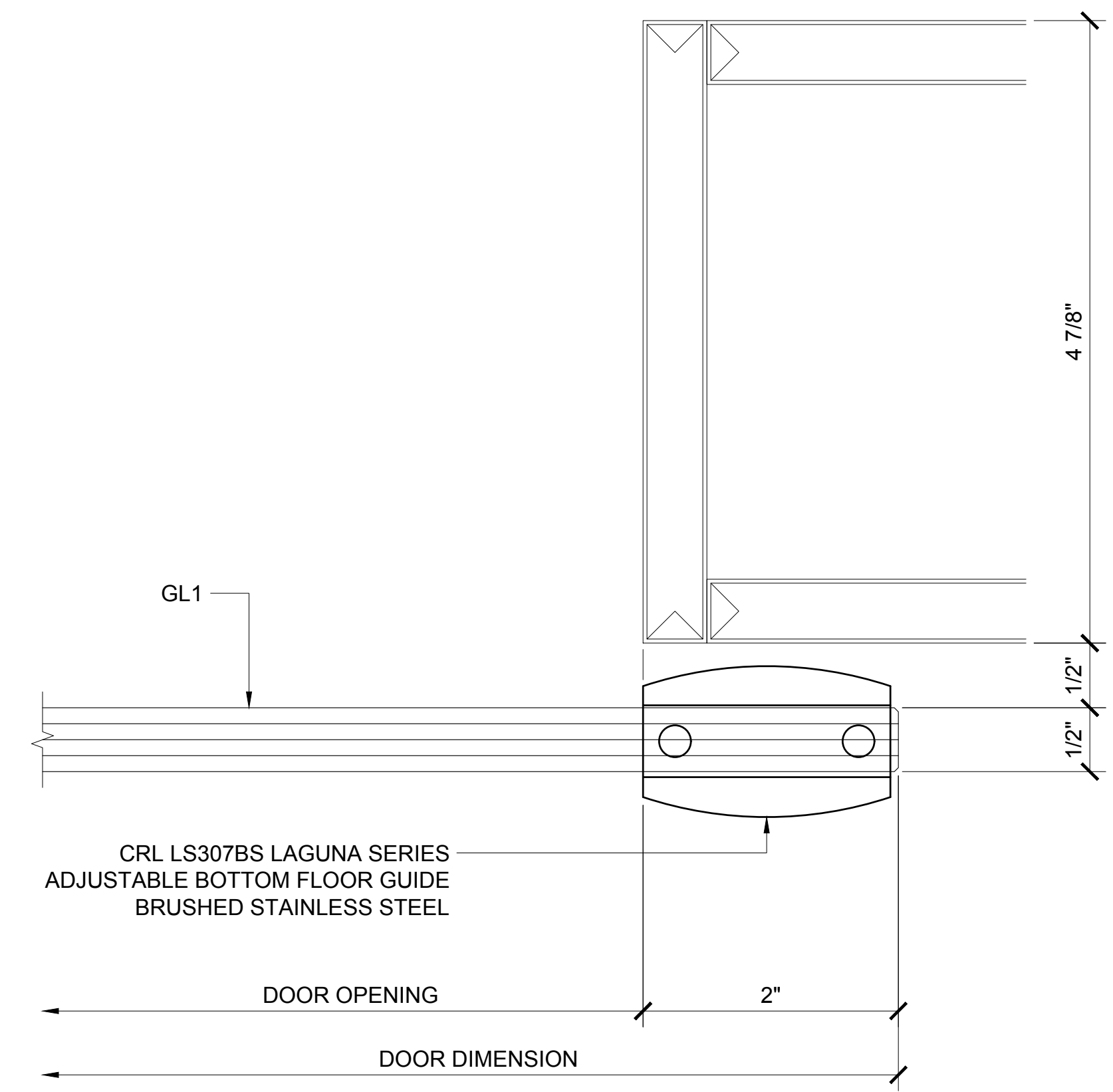
① DOOR JAMB DETAIL (DOOR CLOSED)

ARCH REF: 1'-0"=1'-0"



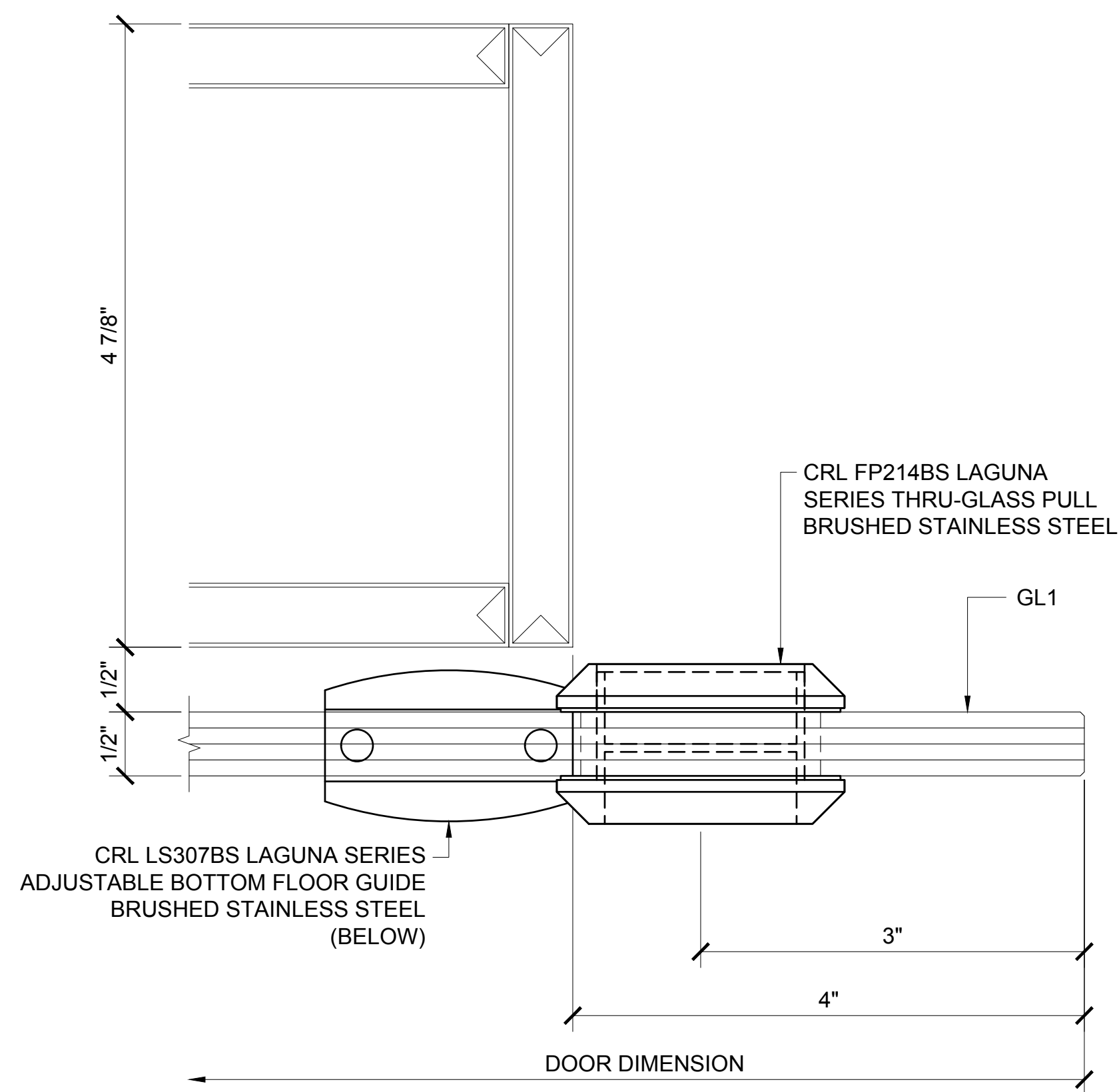
② MEETING STILES DETAIL (DOOR CLOSED)

ARCH REF: 1'-0"=1'-0"



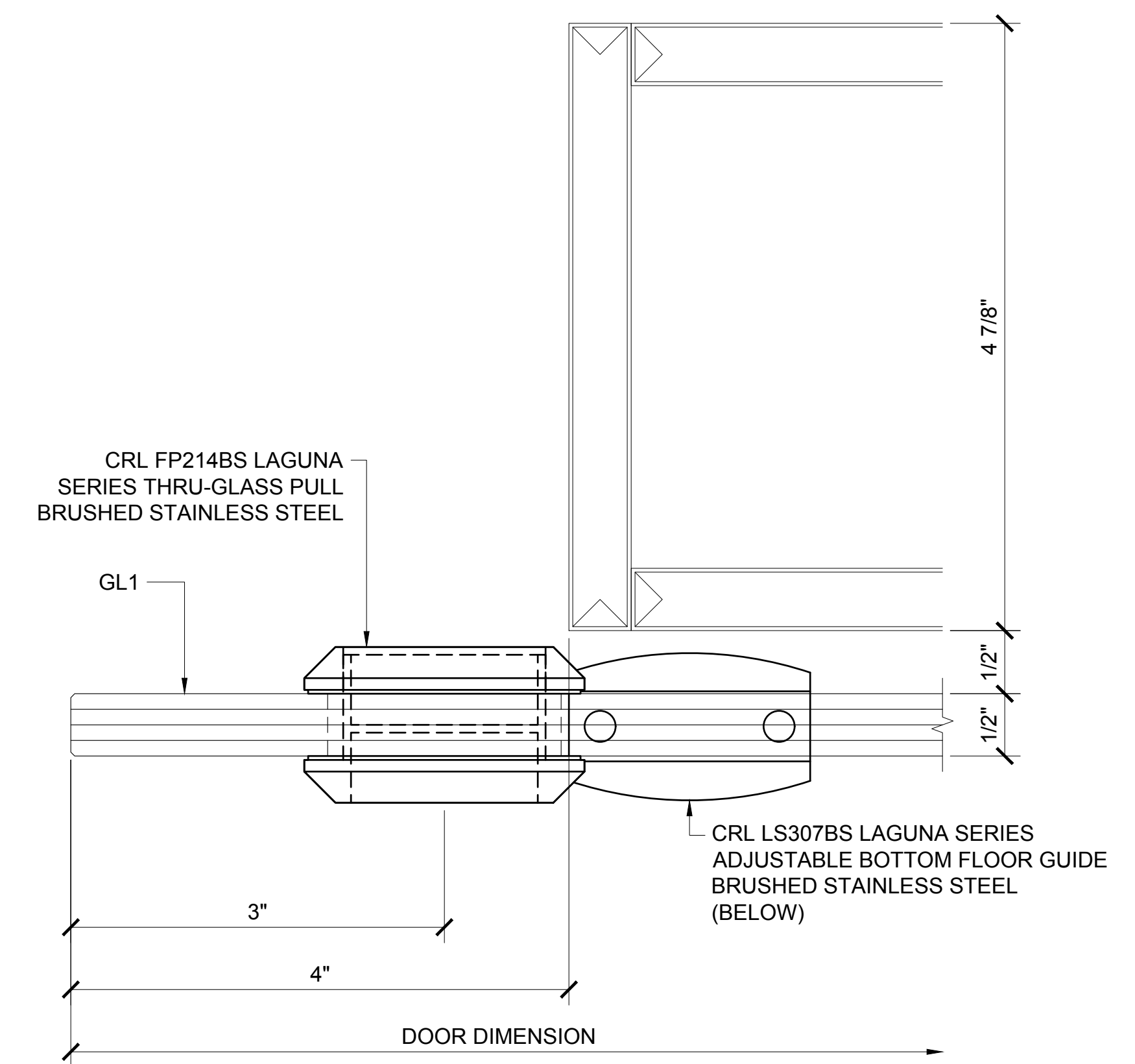
③ DOOR JAMB DETAIL (DOOR CLOSED)

ARCH REF: 1'-0"=1'-0"



④ DOOR JAMB DETAIL (DOOR OPEN)

ARCH REF: 1'-0"=1'-0"



⑤ DOOR JAMB DETAIL (DOOR OPEN)

ARCH REF: 1'-0"=1'-0"

Description:
CRL LAGUNA OFFICE
PARTITION SYSTEM

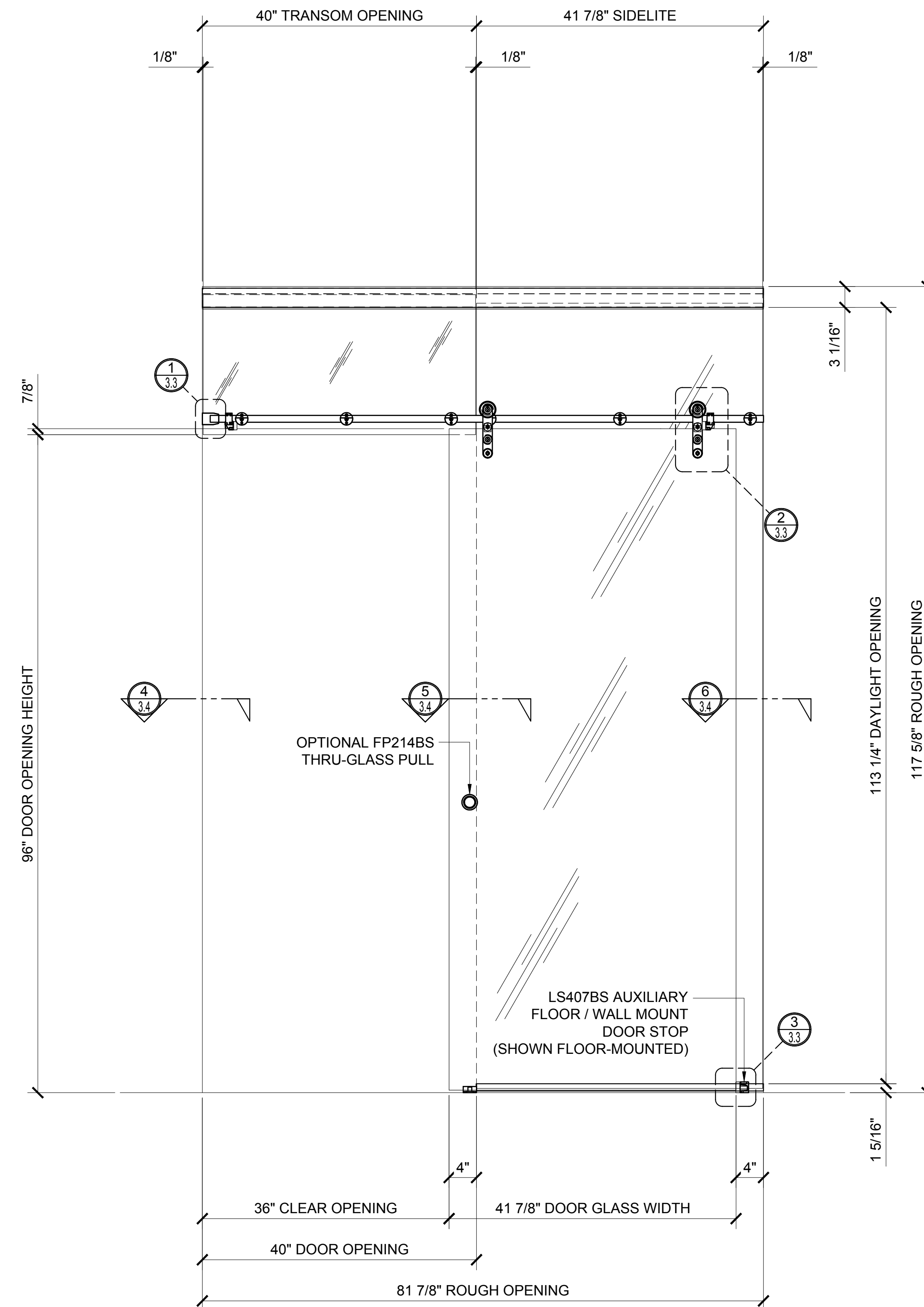
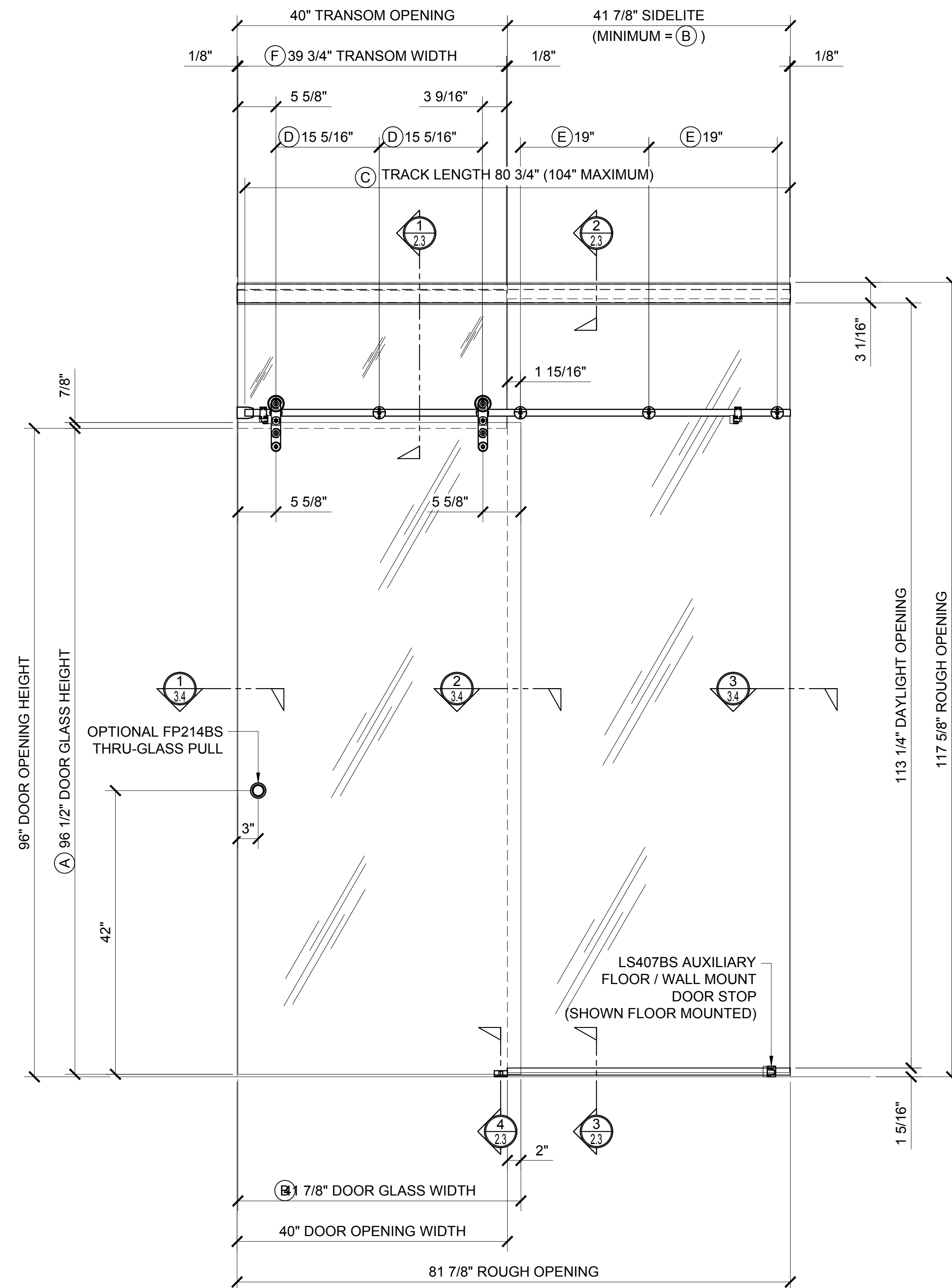
Drawn By: AAD
Date: 3/3/16
Scale: AS NOTED
File Name:
0-CRL Laguna Office Partition System.dwg
Sheet



DOOR SYSTEM LIMITATIONS
 MAXIMUM DOOR WEIGHT: 220 lbs. (100 kg)
 MAXIMUM PANEL WIDTH: 53 1/2" (1.36m)
 MAXIMUM PANEL HEIGHT: 98 7/16" (2.50m)
 MAXIMUM TRACK LENGTH: 104" (2.64m)

- * ANTI-LIFT FEATURE FOR ADDED SAFETY
- * ALL 316 ALLOY BRUSHED STAINLESS STEEL CONSTRUCTION
- * IDEAL FOR INTERIOR APPLICATIONS
- * FOR USE WITH 3/8" OR 1/2" (10mm OR 12mm) GLASS
- * COMES WITH ALL FASTENERS NEEDED FOR EITHER FLUSH (COUNTERSUNK) OR SURFACE (STRAIGHT HOLE) MOUNTING
- * ADAPTOR KITS AVAILABLE FOR WOOD DOOR APPLICATIONS

CRL LSGM5BS LAGUNA SERIES GLASS MOUNT SINGLE SLIDER



- (A) D.O.H. + 1/2"
 - (B) D.O.W. + 1 7/8"
 - (C) (E) x 2 - 3"
 - (D) (E) / 2 - 4 9/16"
 - (E) (D.O.W. / 2) - 1"
 - (F) D.O.W. - 1/4"
- D.O.H. = DOOR OPENING HEIGHT
 D.O.W. = DOOR OPENING WIDTH

① LAGUNA SERIES DOOR (CLOSED)
 ARCH REF: NONE 1"=1'-0"

② LAGUNA SERIES DOOR (OPEN)
 ARCH REF: NONE 1"=1'-0"

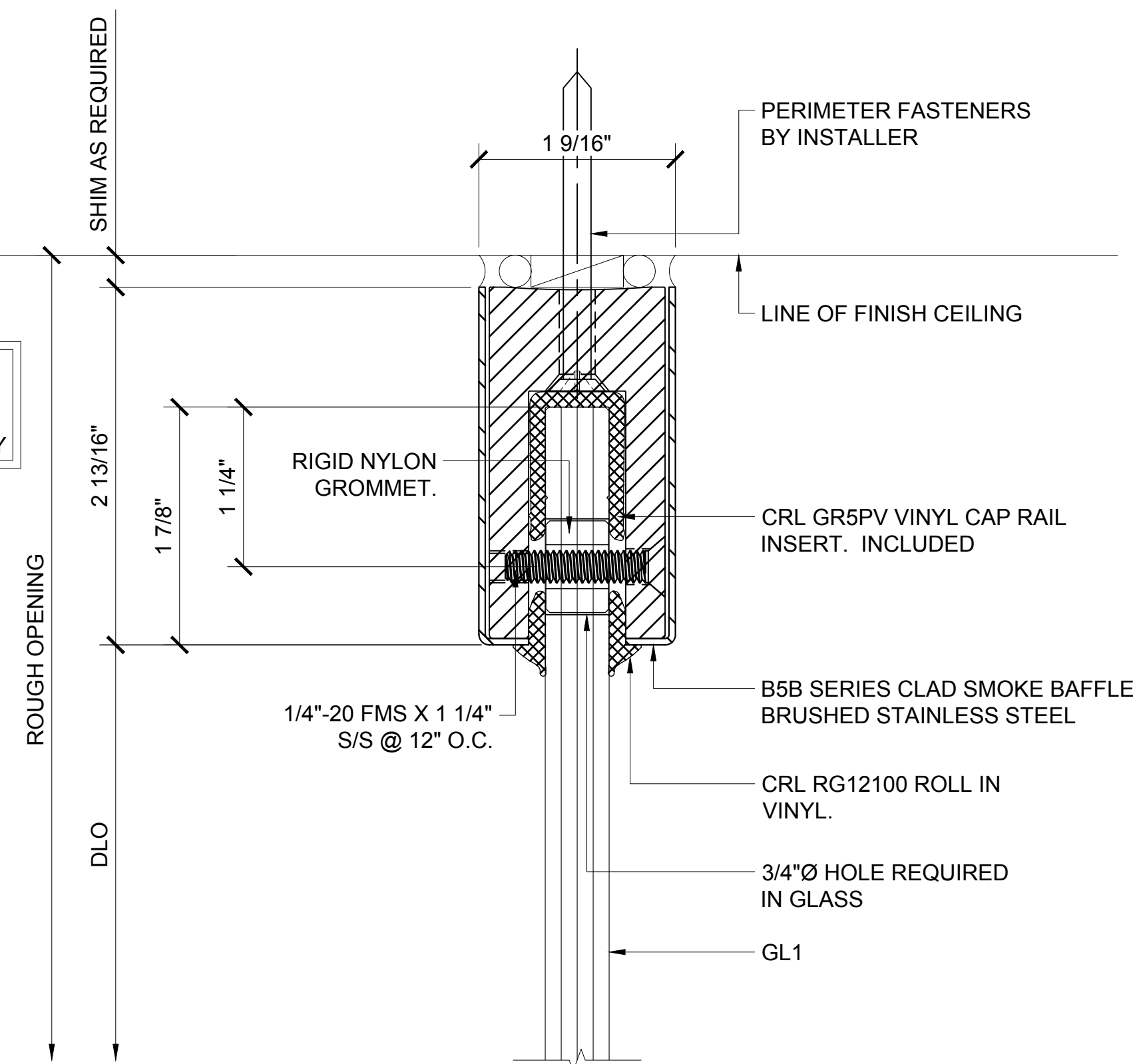
Revisions By:



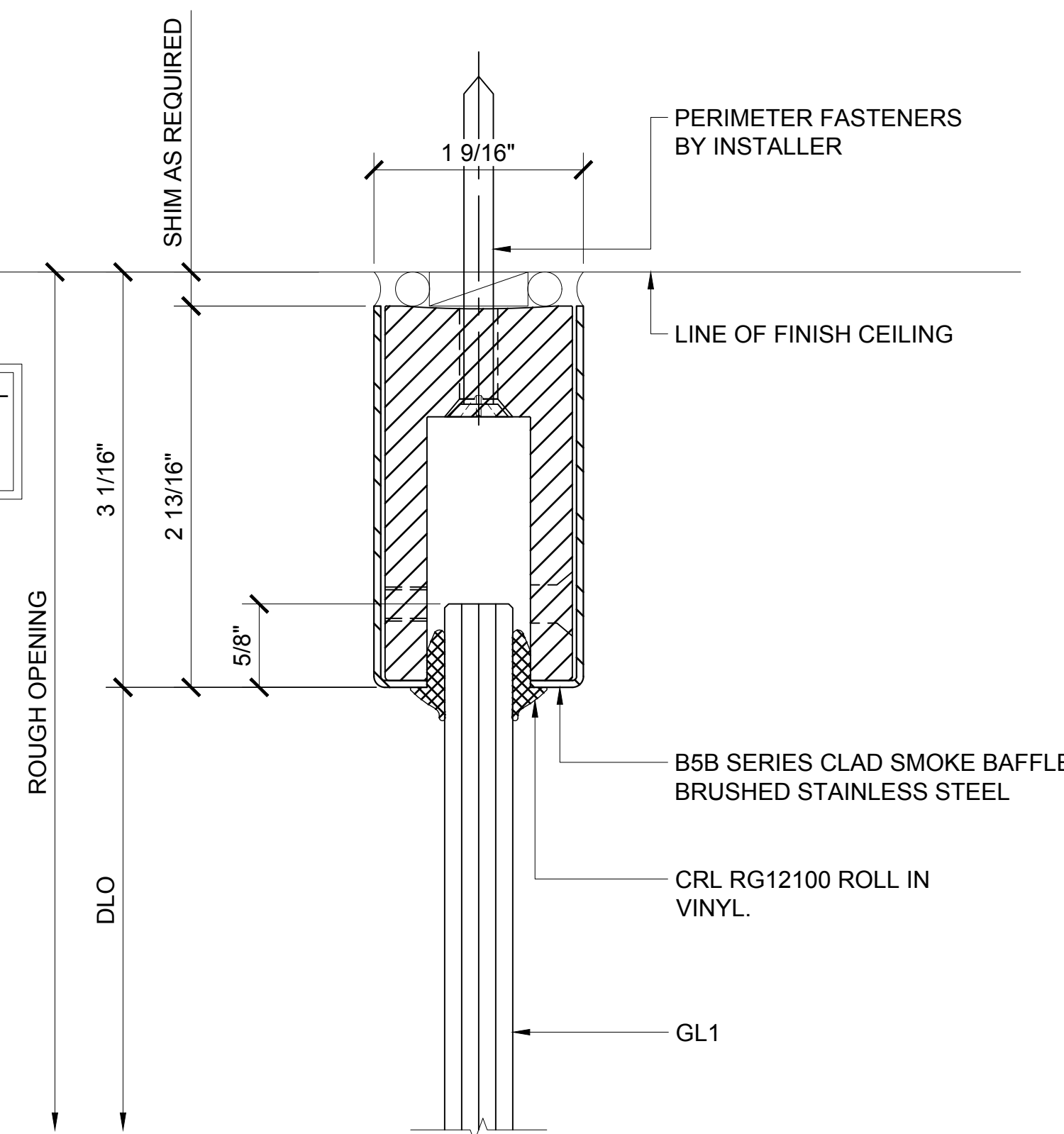
Discipline:
CRL LAGUNA OFFICE PARTITION SYSTEM

Drawn By: AAD
 Date: 3/3/16
 Scale: AS NOTED
 File Name:
 0-CRL Laguna Office Partition System.dwg
 Sheet

NOTE: SMOKE BAFFLE IS NOT INCLUDED IN LAGUNA KIT. MUST BE ORDERED SEPARATELY

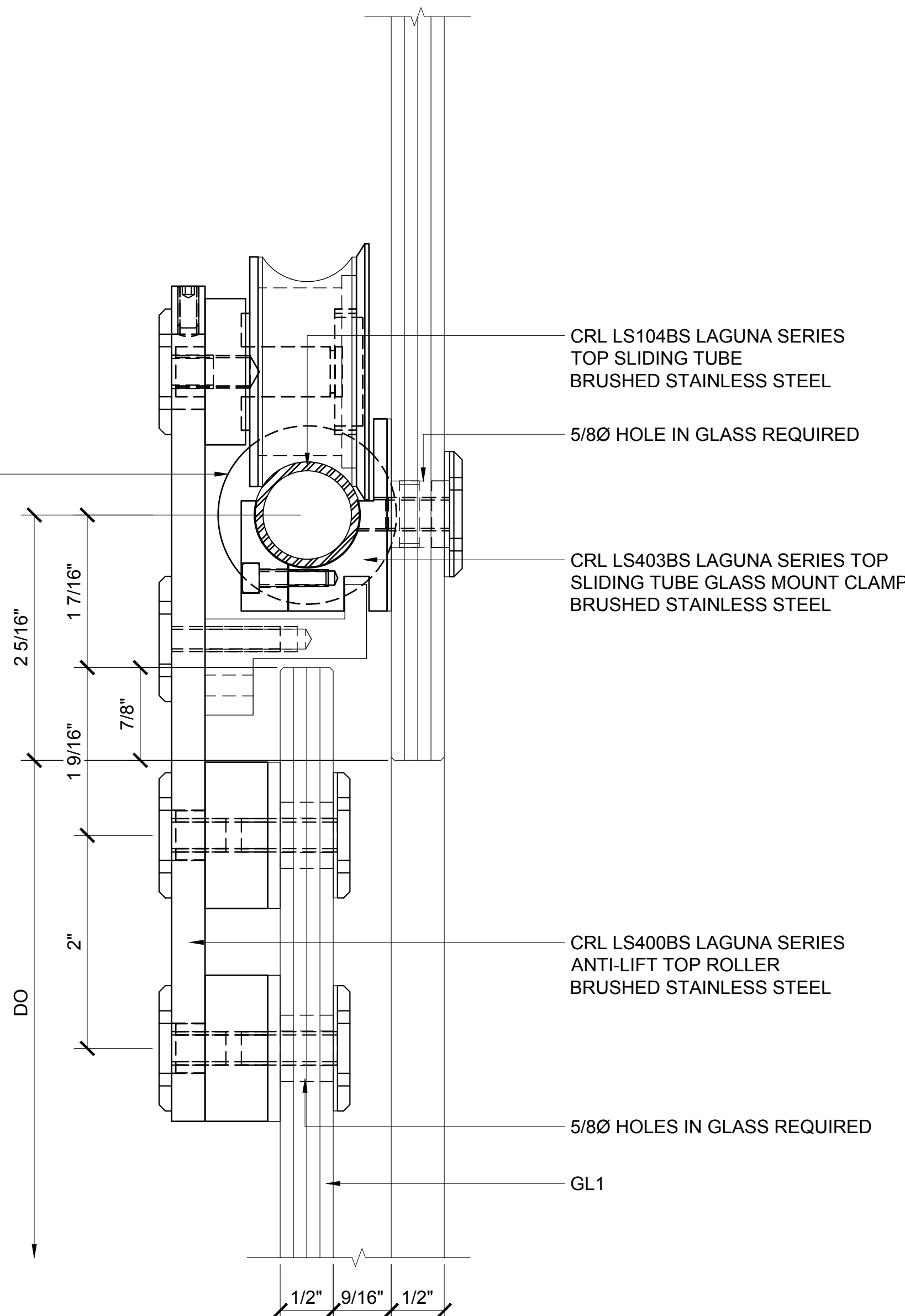


NOTE: TRANSOM CHANNEL IS NOT INCLUDED IN LAGUNA KIT. MUST BE ORDERED SEPARATELY



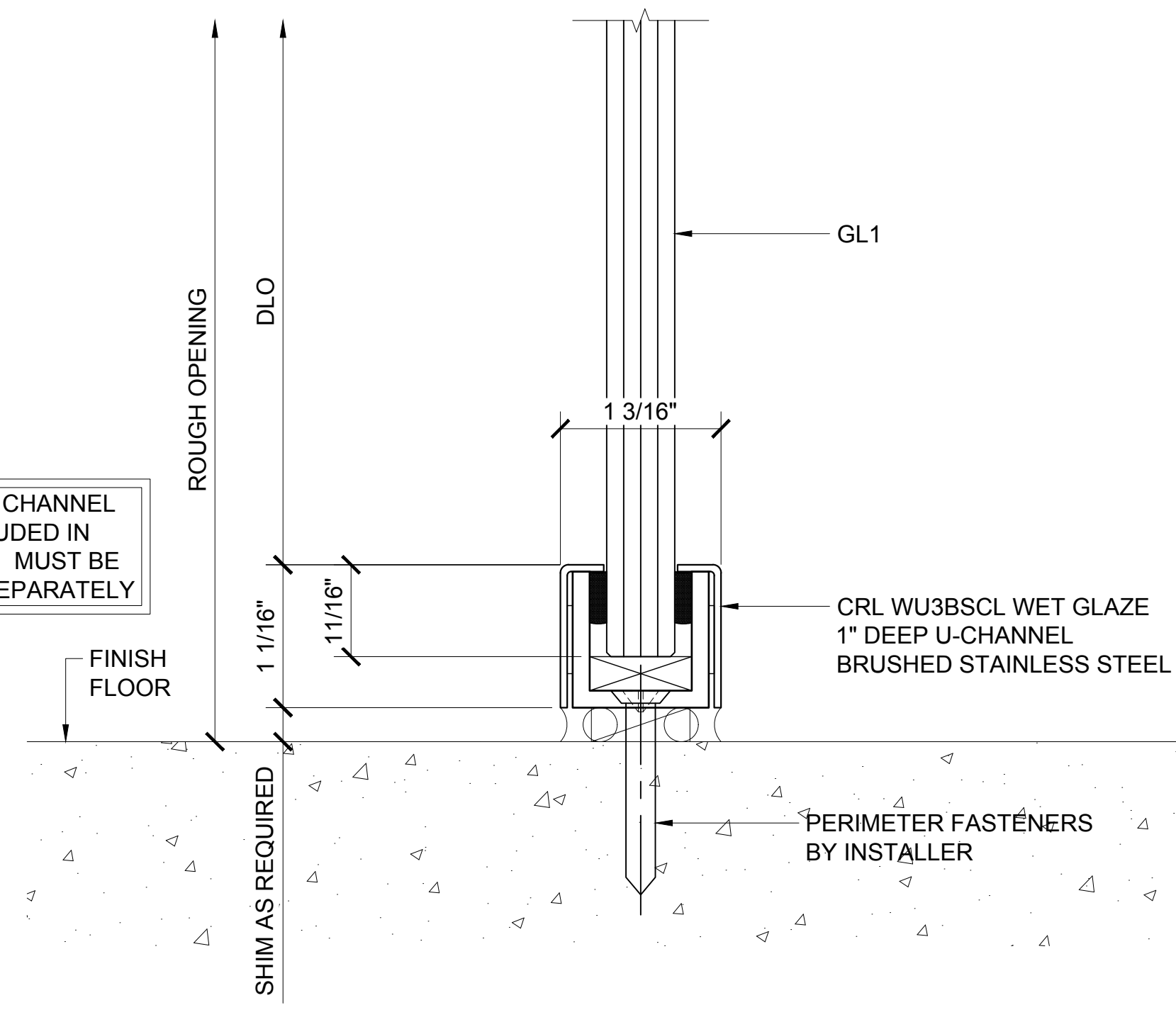
2 SIDELITE HEAD DETAIL
ARCH REF: 1'-0"=1'-0"

CRL LS106BS LAGUNA SERIES TOP SLIDING TUBE WALL MOUNT END CAP - BRUSHED STAINLESS STEEL

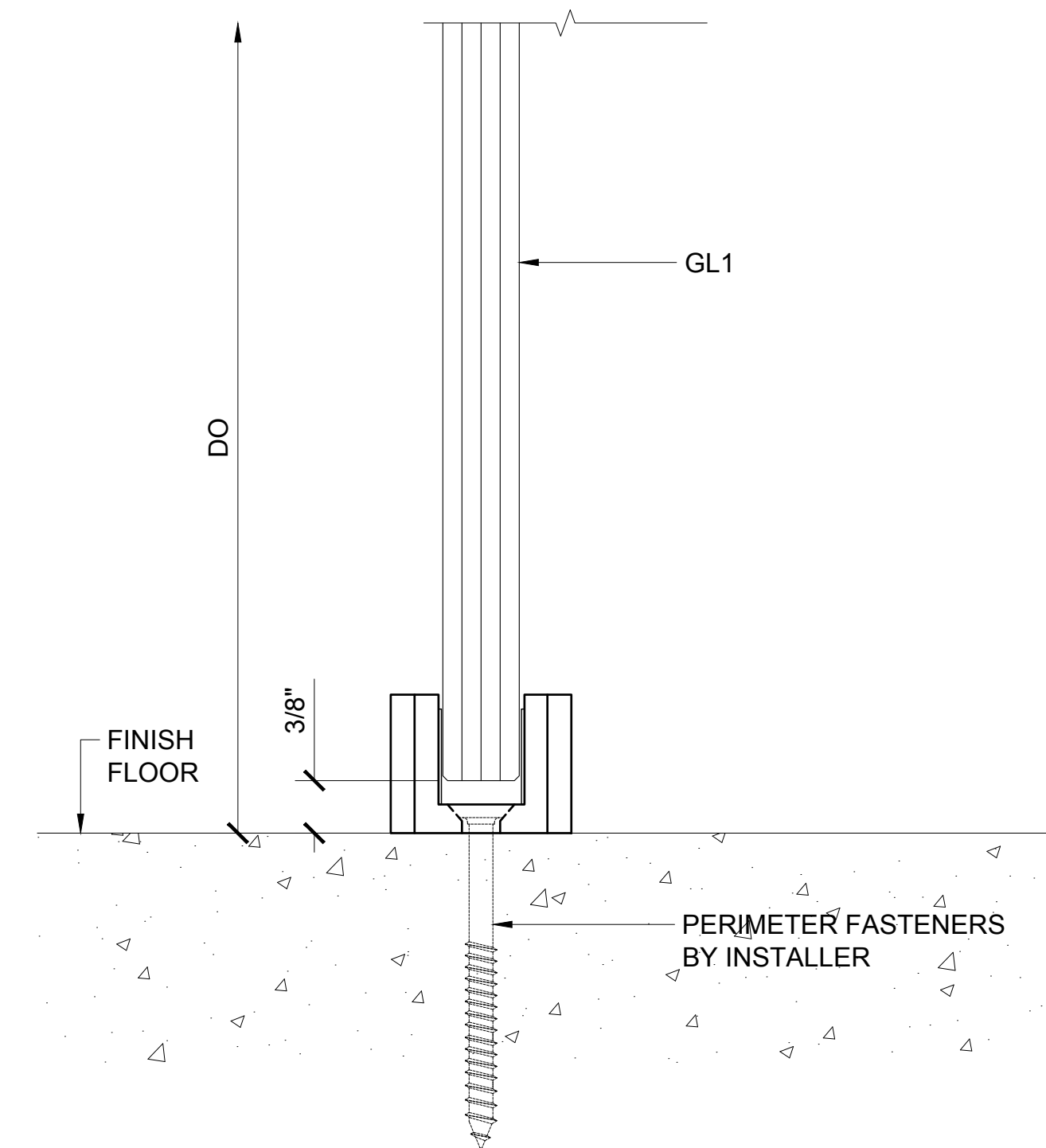


1 DOOR HEAD / TRANSOM DETAIL
ARCH REF: 1'-0"=1'-0"

NOTE: BASE CHANNEL IS NOT INCLUDED IN LAGUNA KIT. MUST BE ORDERED SEPARATELY



3 SIDELITE SILL DETAIL
ARCH REF: 1'-0"=1'-0"



4 DOOR SILL DETAIL
ARCH REF: 1'-0"=1'-0"

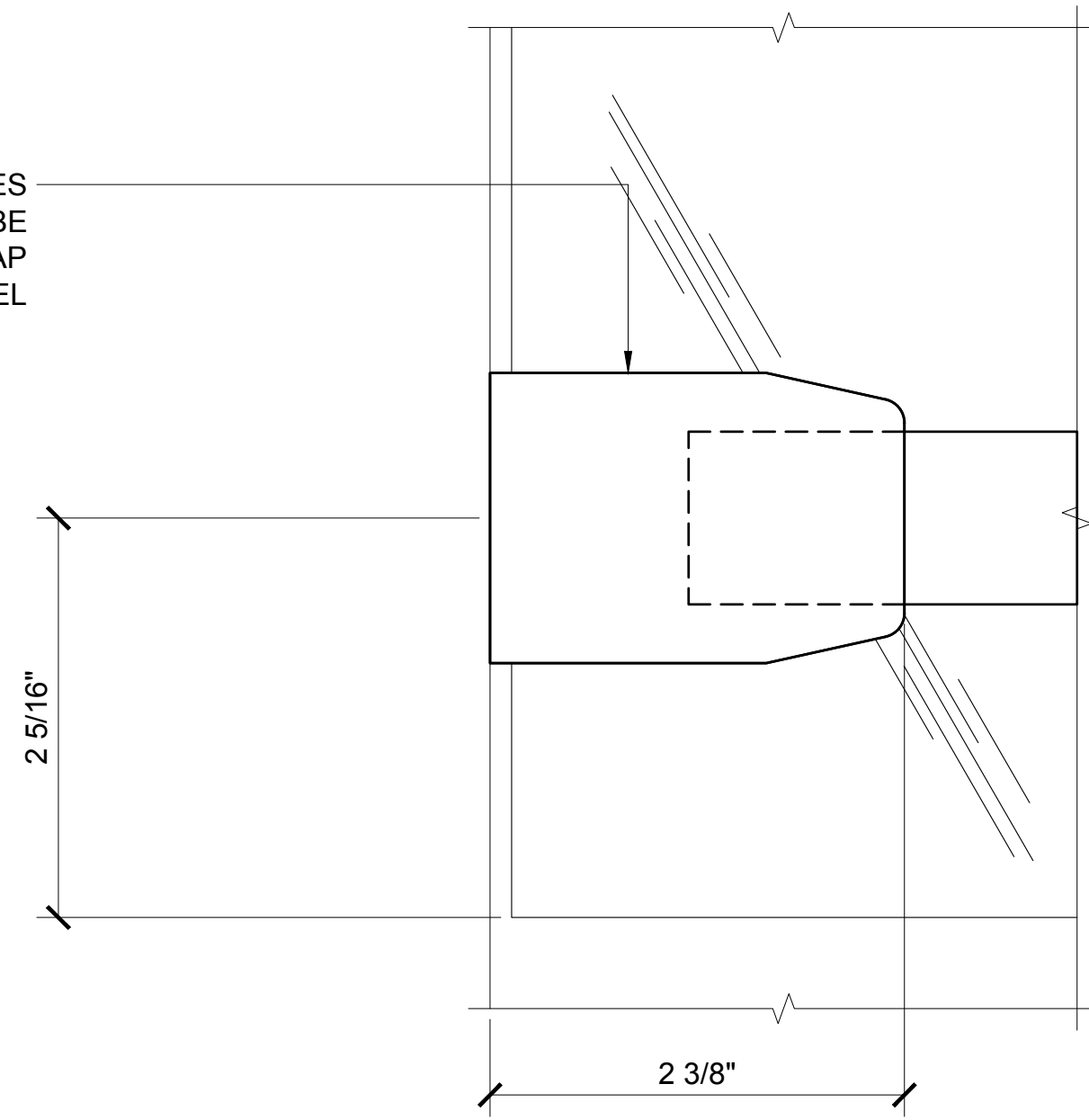
Revisions By:



Discription:
CRL LAGUNA OFFICE
PARTITION SYSTEM

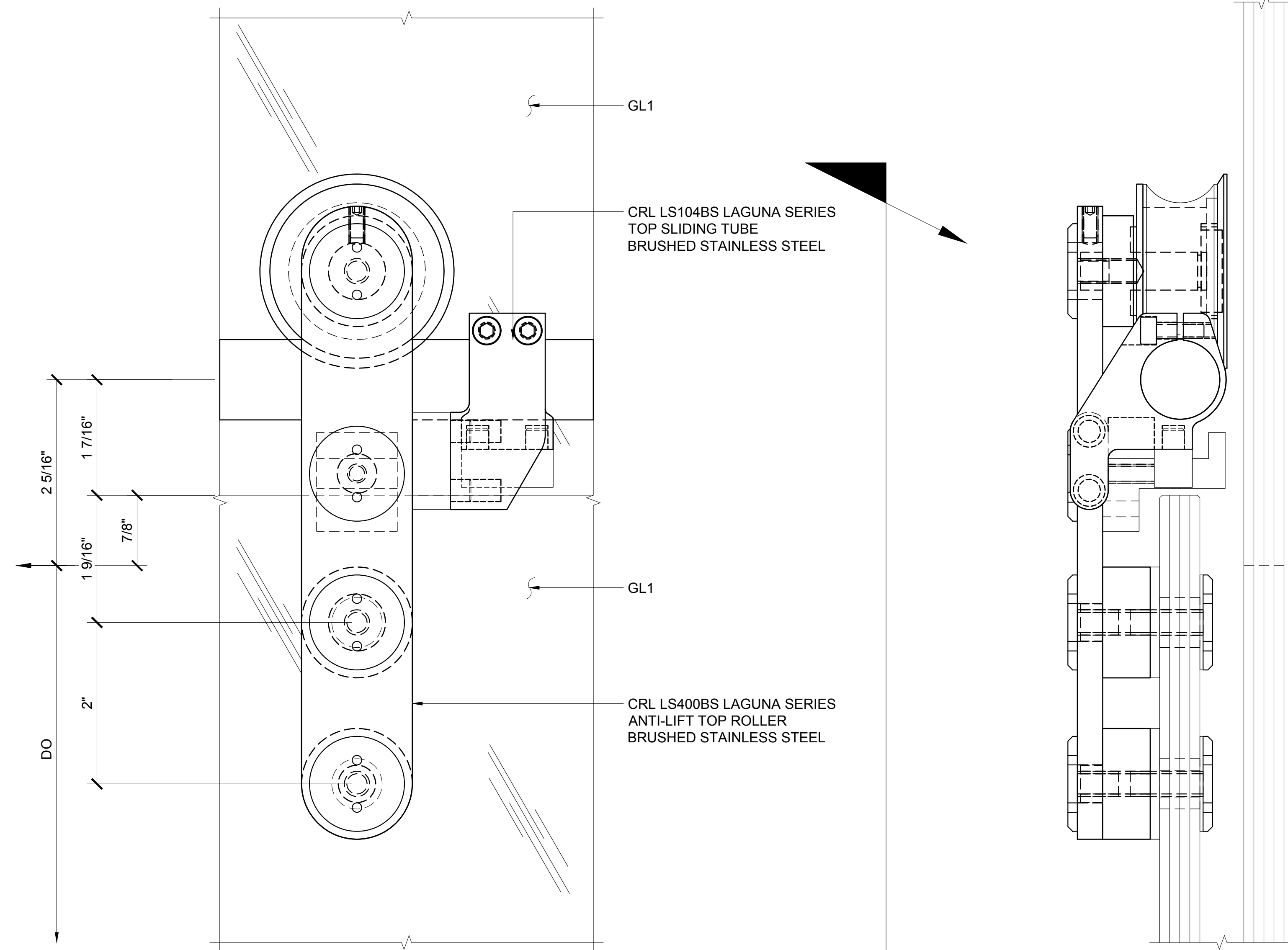
Drawn By: AAD
Date: 3/3/16
Scale: AS NOTED
File Name:
0-CRL Laguna Office Partition System.dwg
Sheet

CRL LS106BS LAGUNA SERIES
TOP SLIDING TUBE
WALL MOUNT END CAP
BRUSHED STAINLESS STEEL



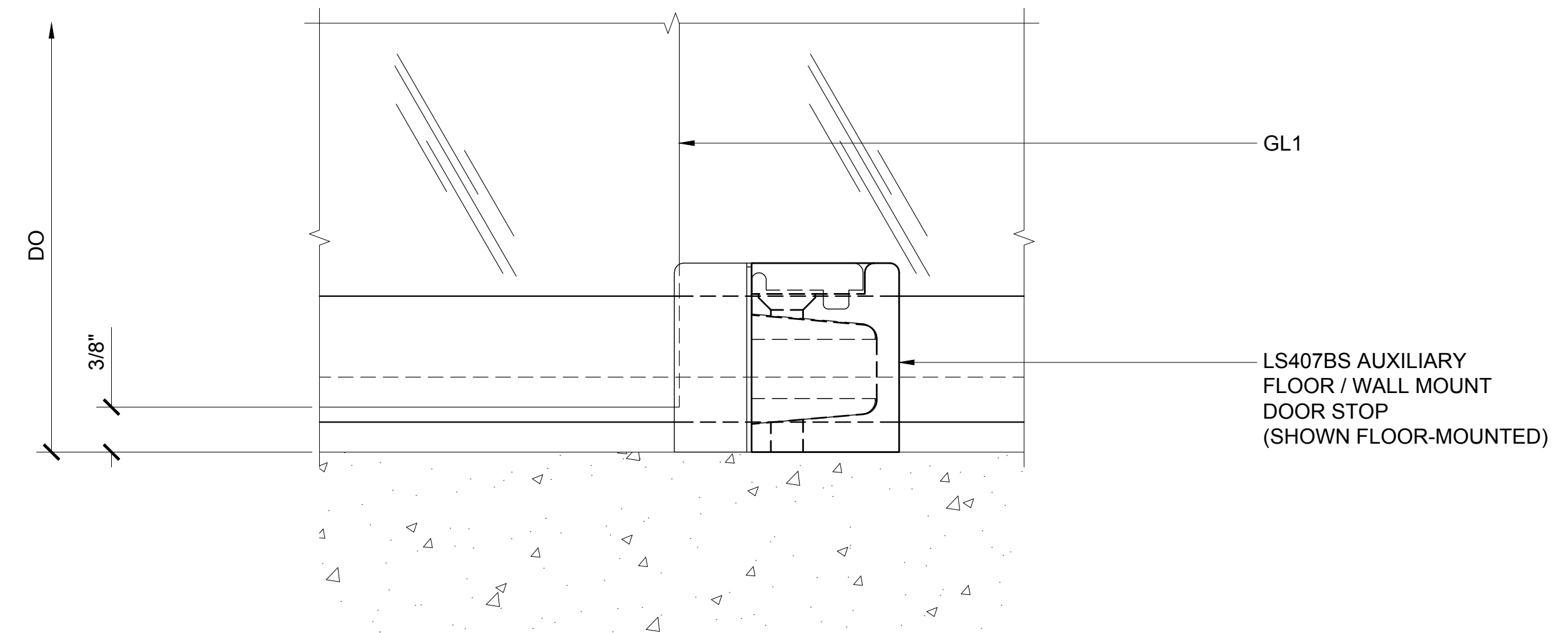
1 WALL MOUNT END CAP DETAIL

ARCH REF: 1'-0"=1'-0"



2 TOP BUMPER DETAIL

ARCH REF: 1'-0"=1'-0"



3 BOTTOM BUMPER DETAIL

ARCH REF: 1'-0"=1'-0"

Revisions By:



Description:
CRL LAGUNA OFFICE
PARTITION SYSTEM

Drawn By: AAD
Date: 3/3/16
Scale: AS NOTED
File Name:
0-CRL Laguna Office Partition System.dwg
Sheet



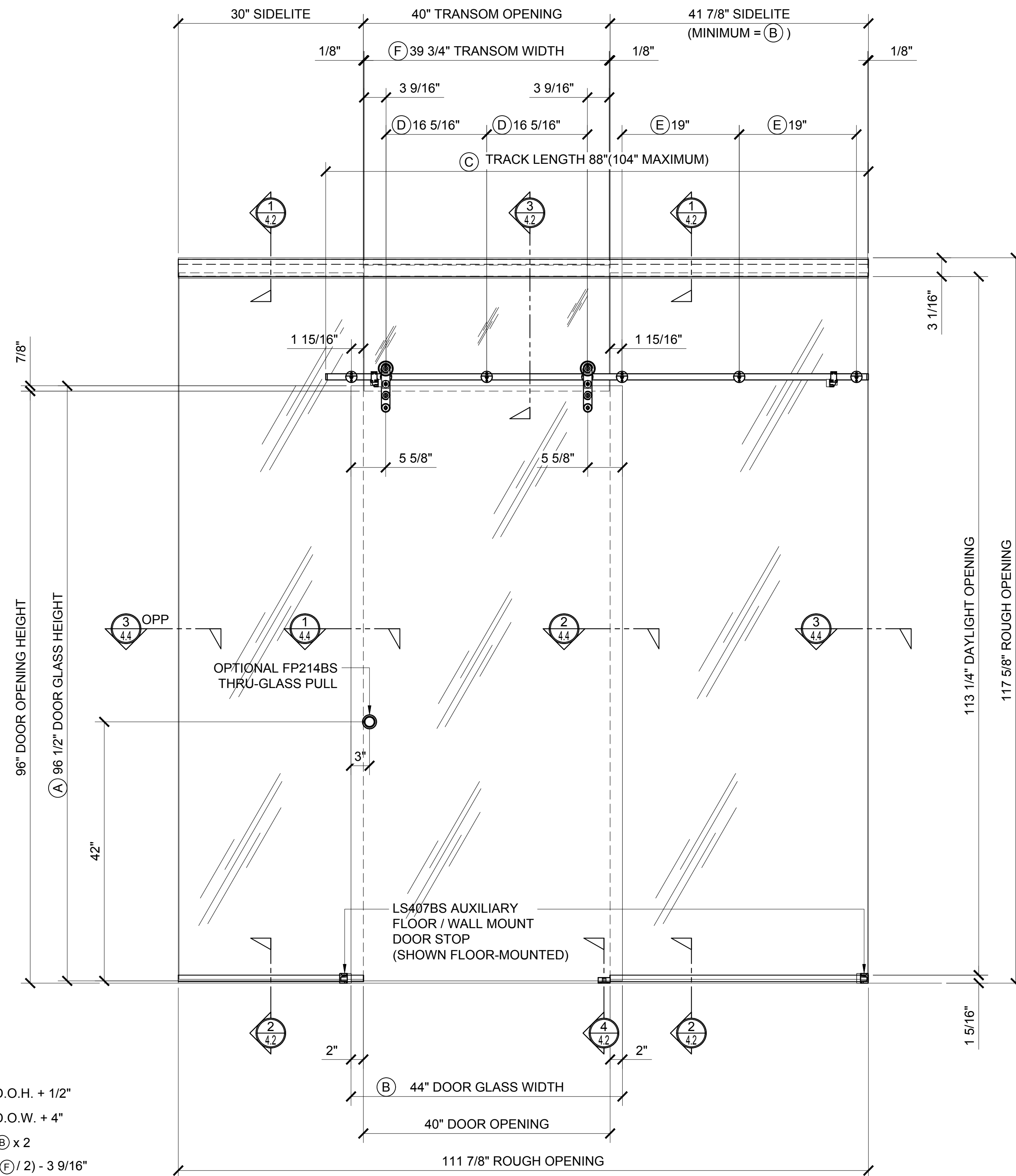
DOOR SYSTEM LIMITATIONS
 MAXIMUM DOOR WEIGHT: 220 lbs. (100 kg)
 MAXIMUM PANEL WIDTH: 53 1/2" (1.36m)
 MAXIMUM PANEL HEIGHT: 98 7/16" (2.50m)
 MAXIMUM TRACK LENGTH: 104" (2.64m)

- * ANTI-LIFT FEATURE FOR ADDED SAFETY
- * ALL 316 ALLOY BRUSHED STAINLESS STEEL CONSTRUCTION
- * IDEAL FOR INTERIOR APPLICATIONS
- * FOR USE WITH 3/8" OR 1/2" (10mm OR 12mm) GLASS
- * COMES WITH ALL FASTENERS NEEDED FOR EITHER FLUSH (COUNTERSUNK) OR SURFACE (STRAIGHT HOLE) MOUNTING
- * ADAPTOR KITS AVAILABLE FOR WOOD DOOR APPLICATIONS

CRL LSGM6BS LAGUNA SERIES GLASS MOUNT SINGLE SLIDER WITH SIDELITES

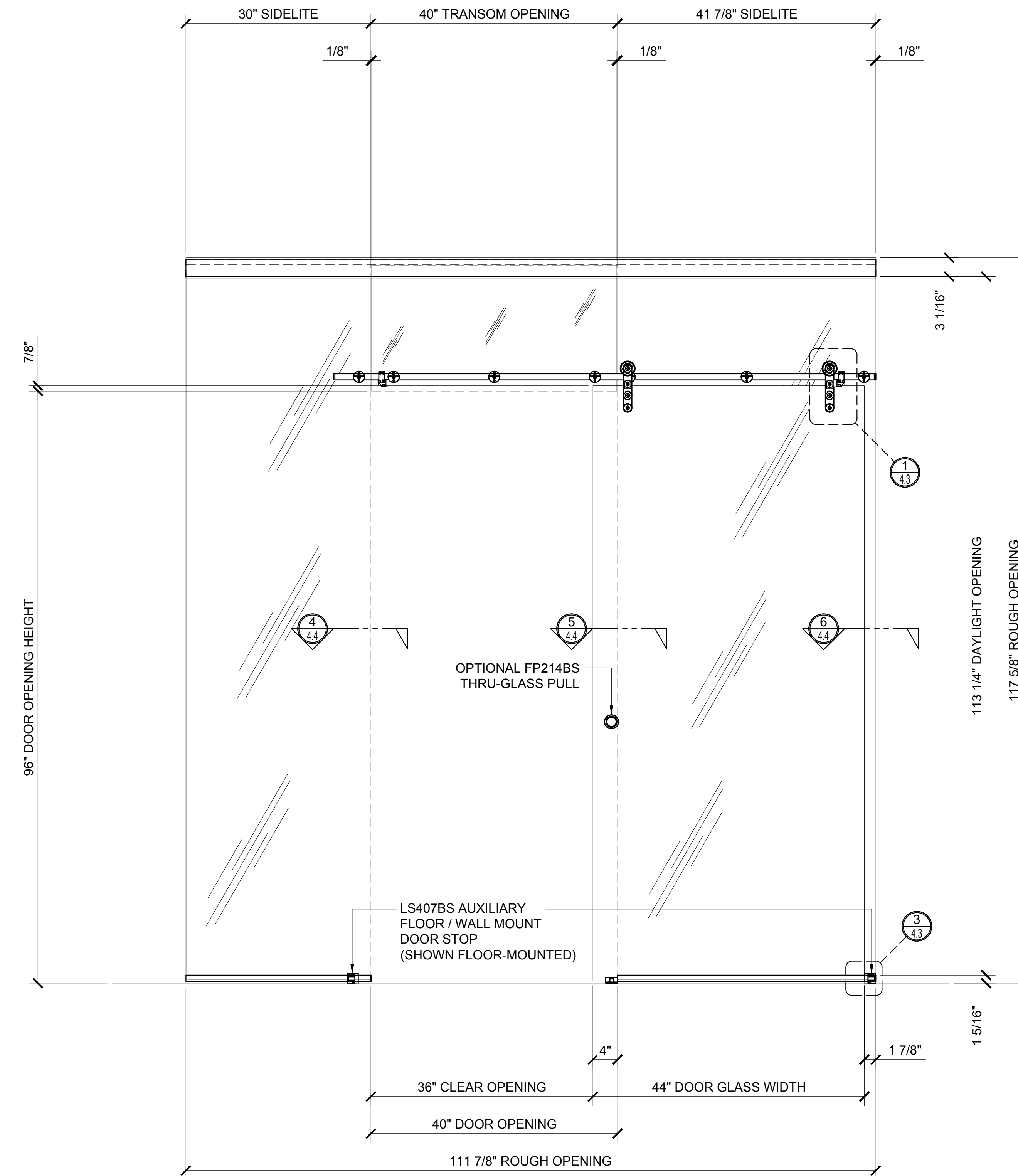
Revisions By:

C.R. LAURENCE CO. ARCHITECTURAL PRODUCTS
 2503 E. Vernon Avenue, Los Angeles, CA 90058-1897
 PH: (800)-421-6144 FX: 800-587-7301 www.crlaurence.com



- (A) D.O.H. + 1/2"
 - (B) D.O.W. + 4"
 - (C) @ x 2
 - (D) ((E) / 2) - 3 9/16"
 - (E) (D.O.W. / 2) - 1"
 - (F) D.O.W. - 1/4"
- D.O.H. = DOOR OPENING HEIGHT
 D.O.W. = DOOR OPENING WIDTH

① LAGUNA SERIES DOOR (CLOSED)
 ARCH REF: NONE 1"=1'-0"

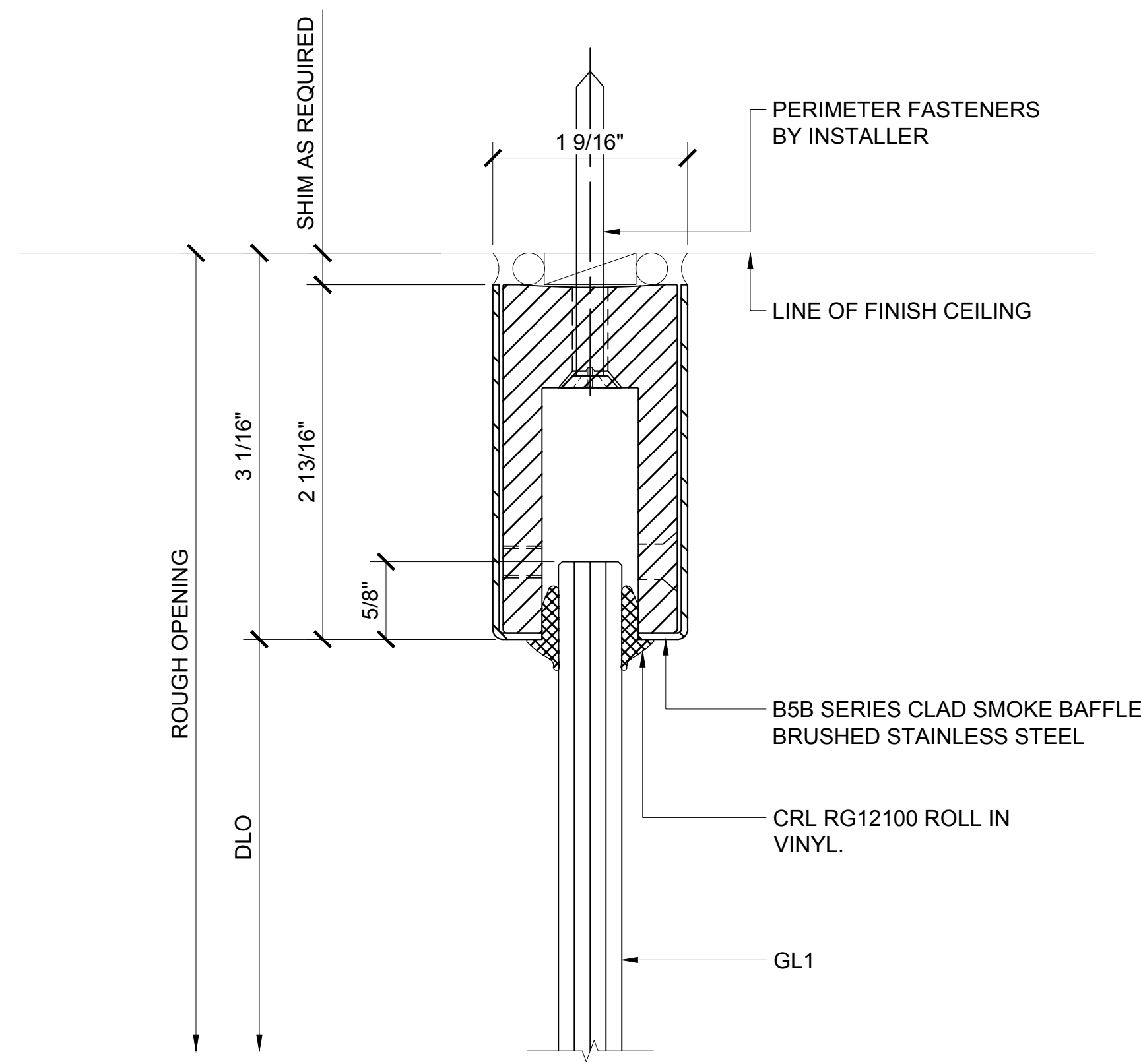


② LAGUNA SERIES DOOR (OPEN)
 ARCH REF: NONE 1"=1'-0"

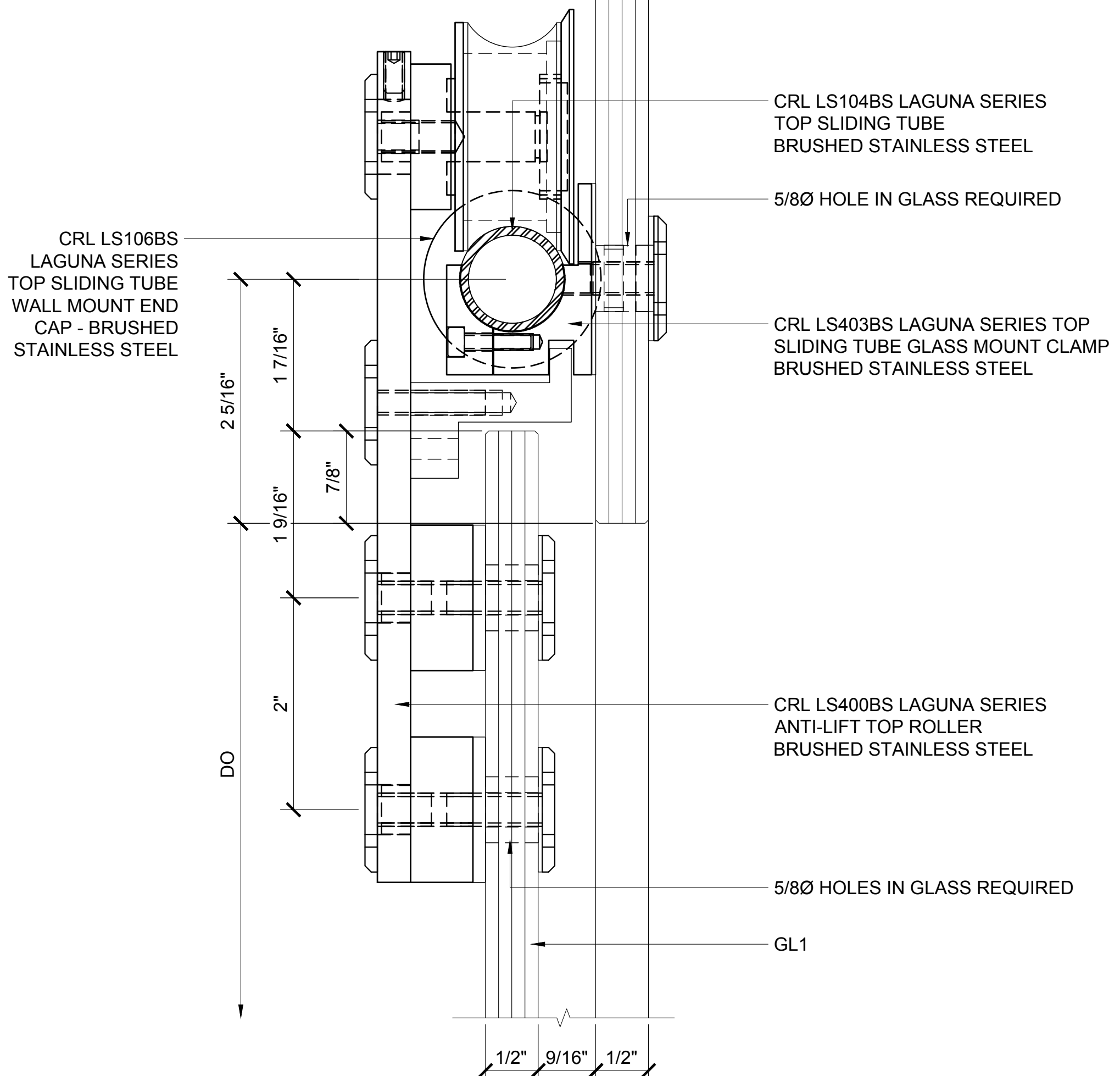
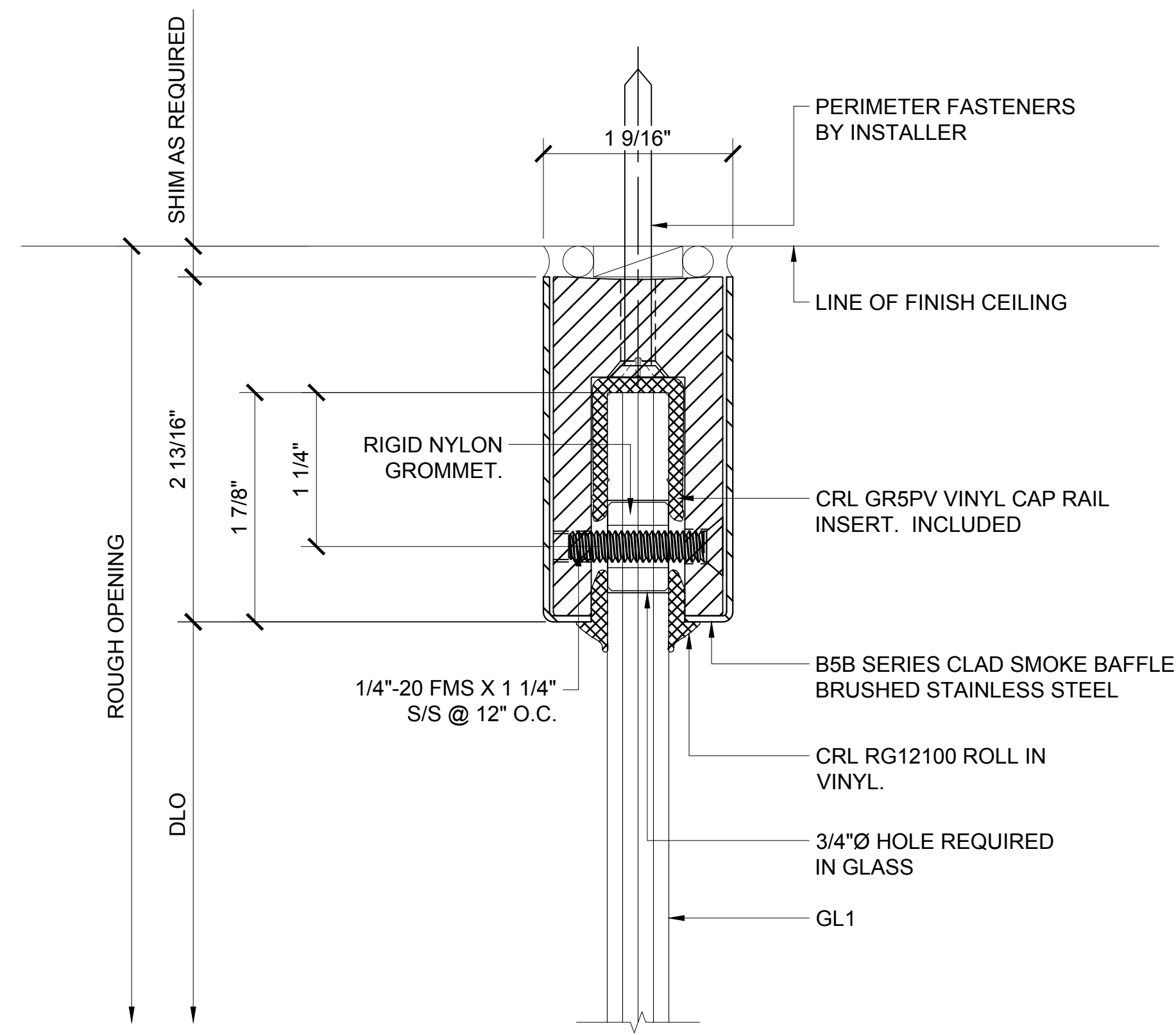
Discussion:

CRL LAGUNA OFFICE
 PARTITION SYSTEM

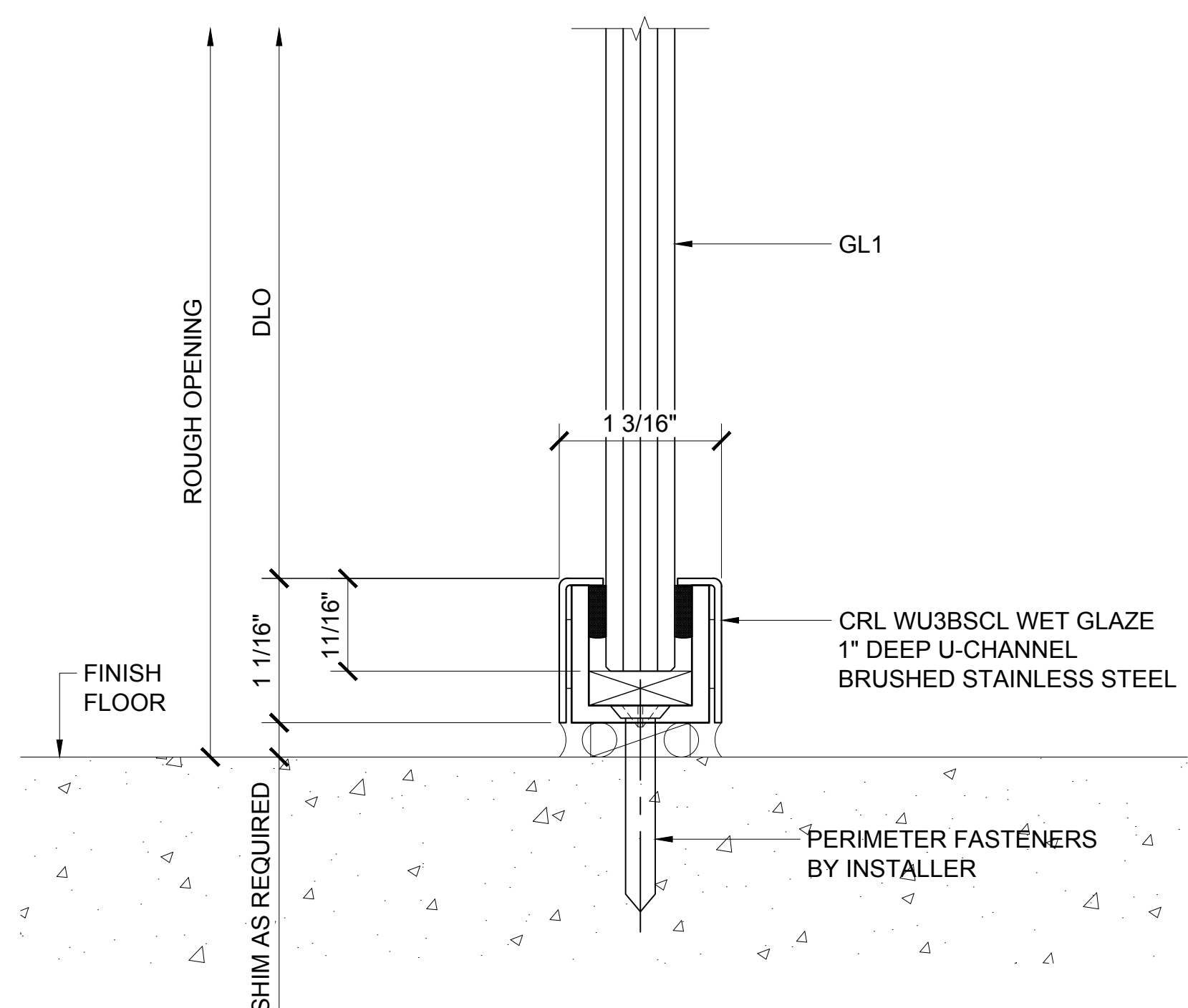
Drawn By: AAD
 Date: 3/3/16
 Scale: AS NOTED
 File Name:
 0-CRL Laguna Office Partition System.dwg
 Sheet



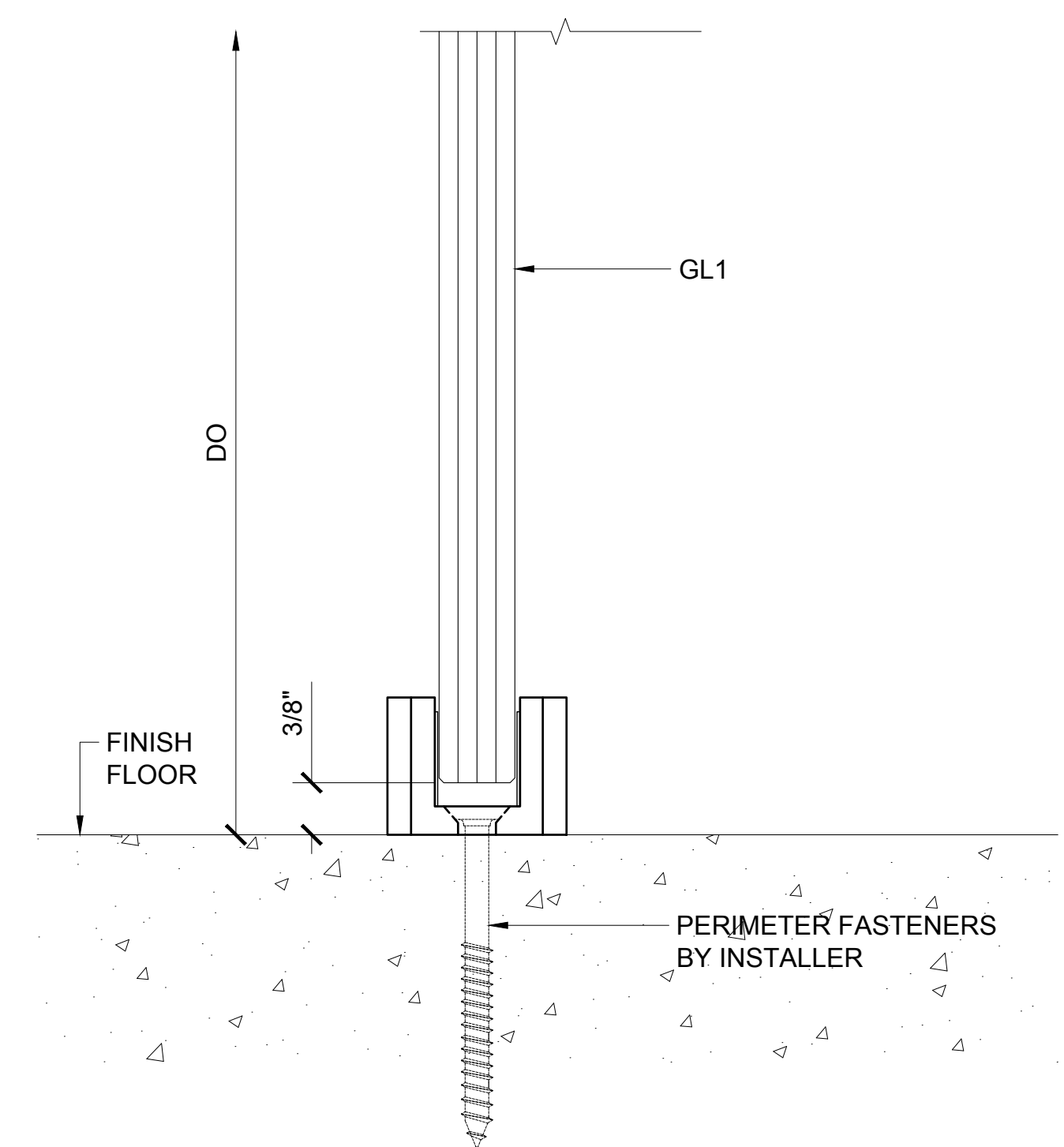
① SIDELITE HEAD DETAIL
 ARCH REF: 1'-0"=1'-0"



③ DOOR HEAD / TRANSOM DETAIL
 ARCH REF: 1'-0"=1'-0"



② SIDELITE SILL DETAIL
 ARCH REF: 1'-0"=1'-0"



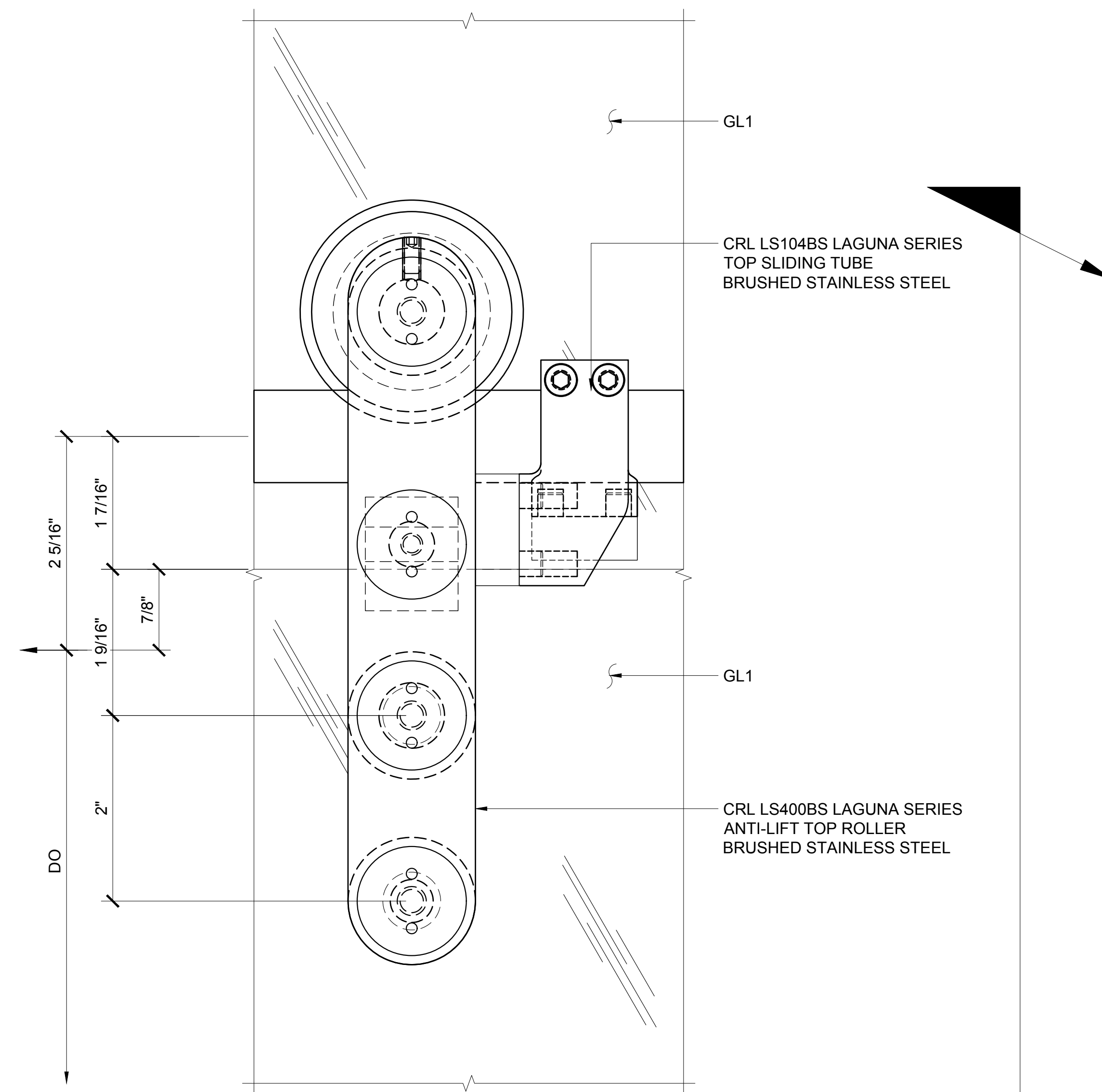
④ SIDELITE SILL DETAIL
 ARCH REF: 1'-0"=1'-0"

Revisions By:

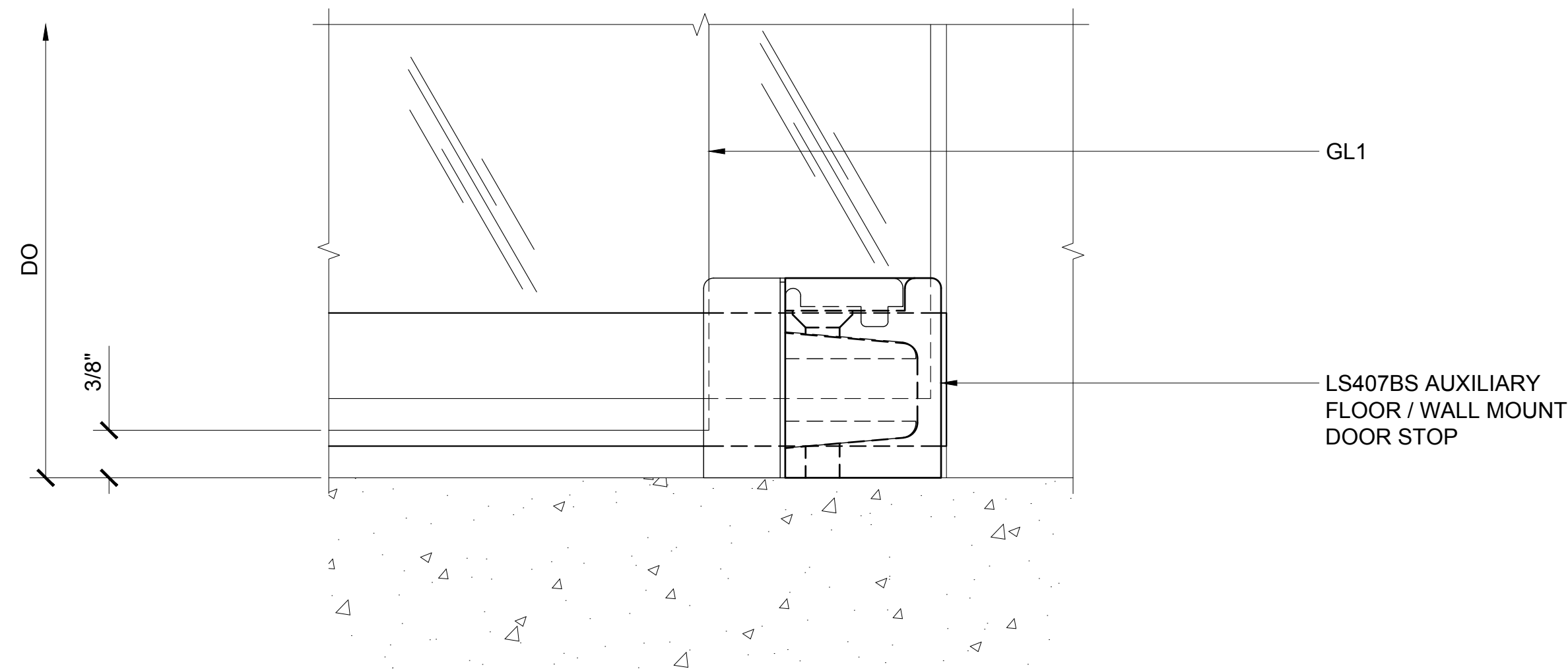
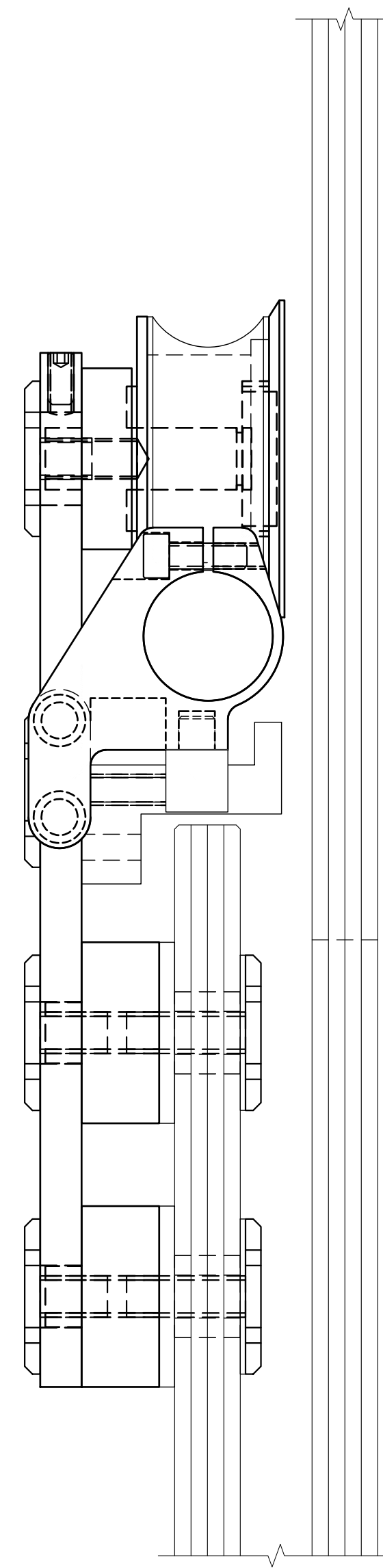


Discription:
 CRL LAGUNA OFFICE
 PARTITION SYSTEM

Drawn By: AAD
 Date: 3/3/16
 Scale: AS NOTED
 File Name:
 0-CRL Laguna Office Partition System.dwg
 Sheet



① TOP BUMPER DETAIL
ARCH REF: 1'-0"=1'-0"



② BOTTOM BUMPER DETAIL
ARCH REF: 1'-0"=1'-0"

Revisions By:



Description:
CRL LAGUNA OFFICE
PARTITION SYSTEM

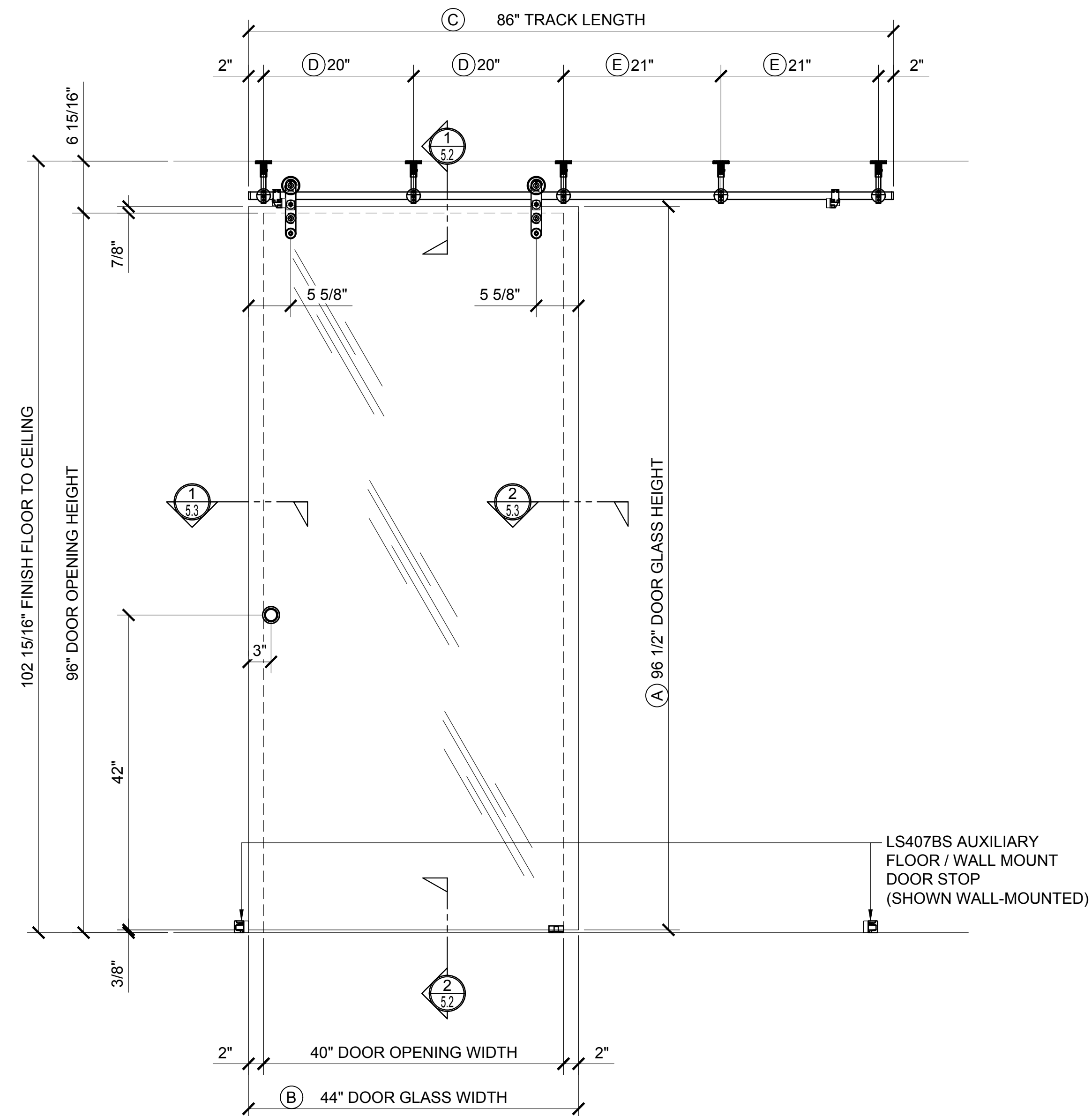
Drawn By: AAD
Date: 3/3/16
Scale: AS NOTED
File Name:
0-CRL Laguna Office Partition System.dwg
Sheet



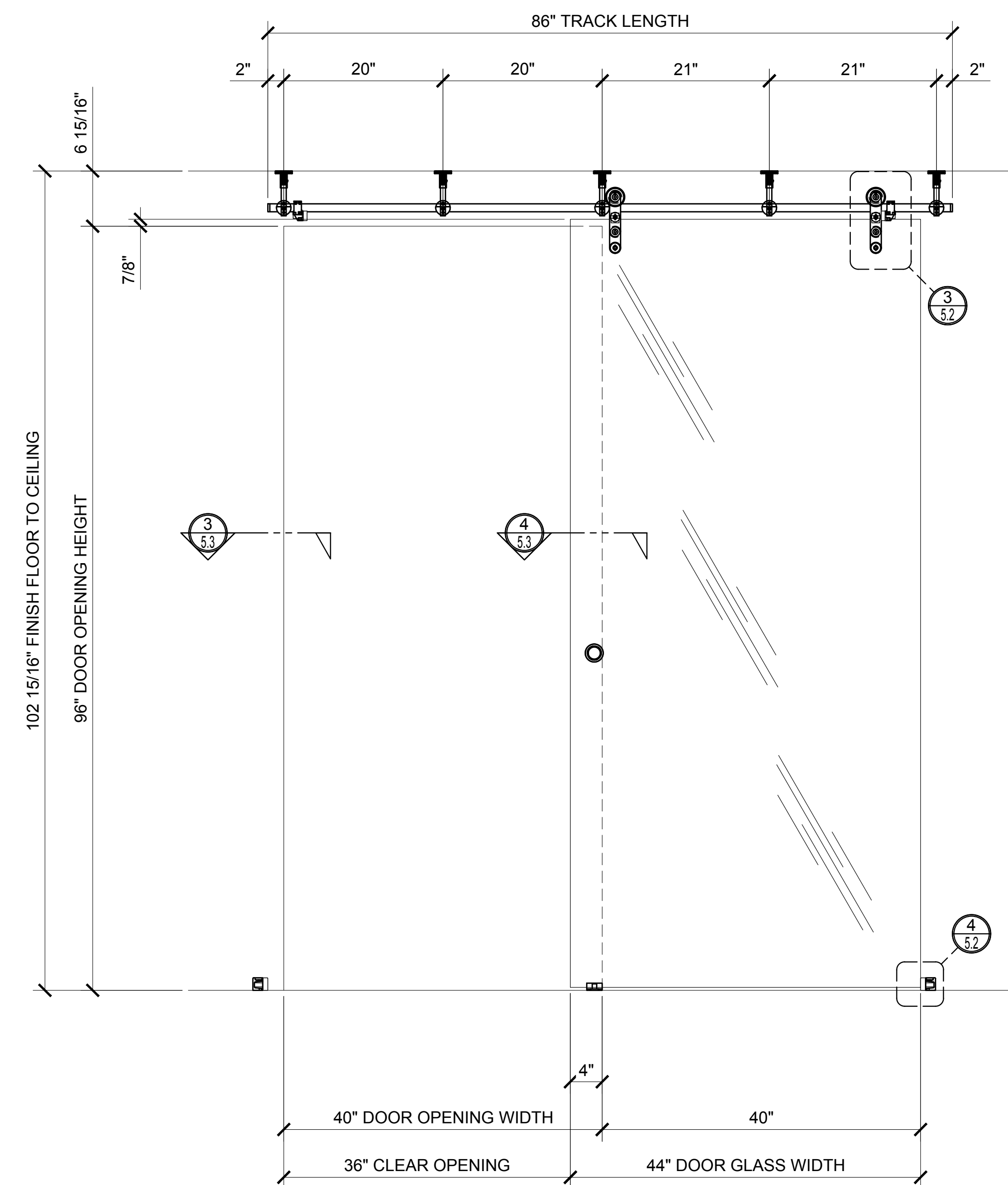
DOOR SYSTEM LIMITATIONS
 MAXIMUM DOOR WEIGHT: 220 lbs. (100 kg)
 MAXIMUM PANEL WIDTH: 53 1/2" (1.36m)
 MAXIMUM PANEL HEIGHT: 98 7/16" (2.50m)
 MAXIMUM TRACK LENGTH: 104" (2.64m)

- * ANTI-LIFT FEATURE FOR ADDED SAFETY
- * ALL 316 ALLOY BRUSHED STAINLESS STEEL CONSTRUCTION
- * IDEAL FOR INTERIOR APPLICATIONS
- * FOR USE WITH 3/8" OR 1/2" (10mm OR 12mm) GLASS
- * COMES WITH ALL FASTENERS NEEDED FOR EITHER FLUSH (COUNTERSUNK) OR SURFACE (STRAIGHT HOLE) MOUNTING
- * ADAPTOR KITS AVAILABLE FOR WOOD DOOR APPLICATIONS

CRL LSWM5BS / LS415BS LAGUNA SERIES CEILING MOUNT SINGLE SLIDER



① LAGUNA SERIES DOOR (CLOSED)
 ARCH REF: NONE 1"=1'-0"



② LAGUNA SERIES DOOR (OPEN)
 ARCH REF: NONE 1"=1'-0"

- Ⓐ D.O.H. + 1/2"
- Ⓑ D.O.W. + 4"
- Ⓒ (D.O.W. x 2) + 6"
- Ⓓ D.O.W. / 2
- Ⓔ (Ⓑ / 2) - 1"

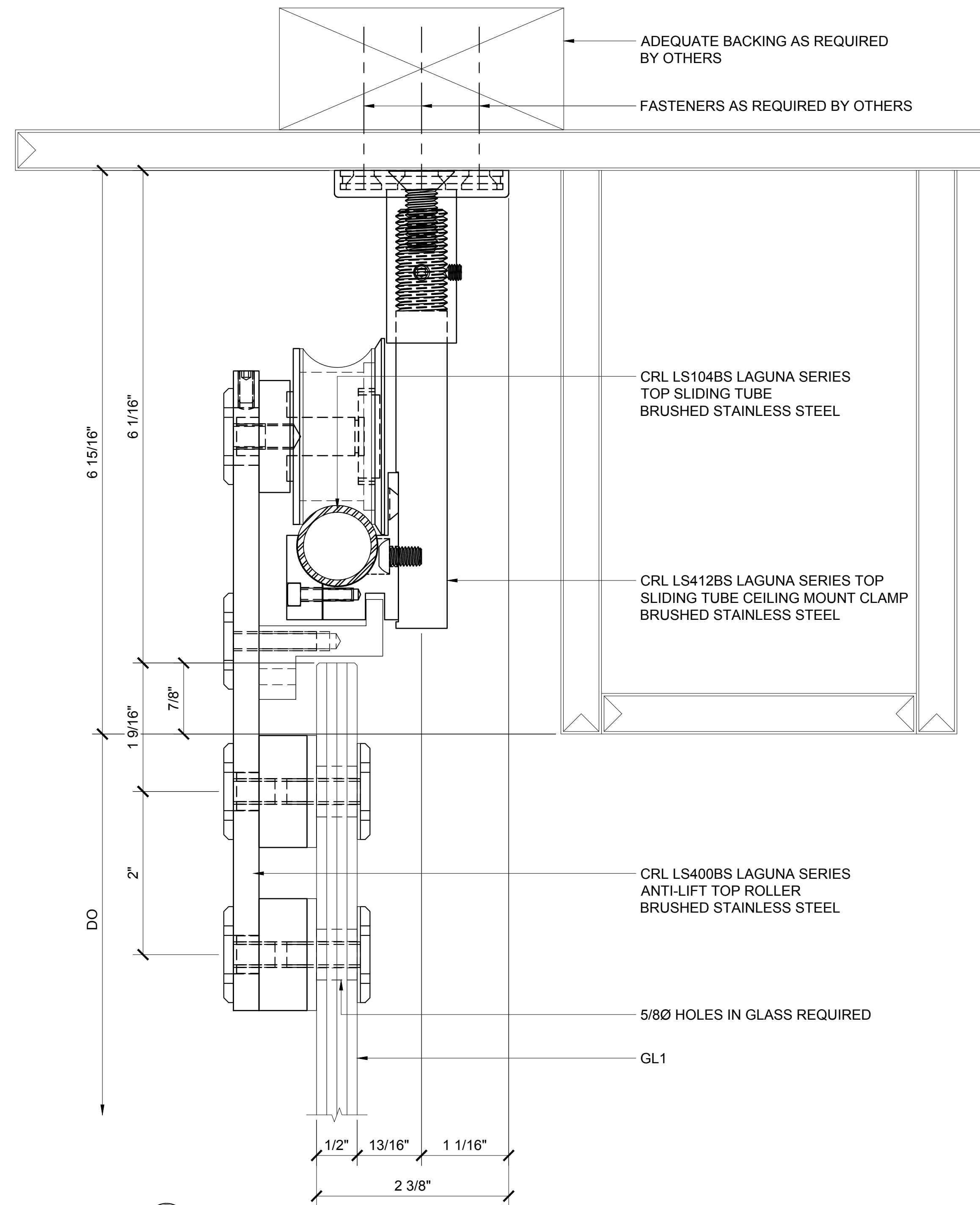
D.O.H. = DOOR OPENING HEIGHT
 D.O.W. = DOOR OPENING WIDTH

Revisions By:

C.R. LAURENCE CO. ARCHITECTURAL PRODUCTS
 2503 E. Vernon Avenue, Los Angeles, CA 90058-1897
 PH (800)-421-6144 FX (800)-587-7301 www.crlaurence.com

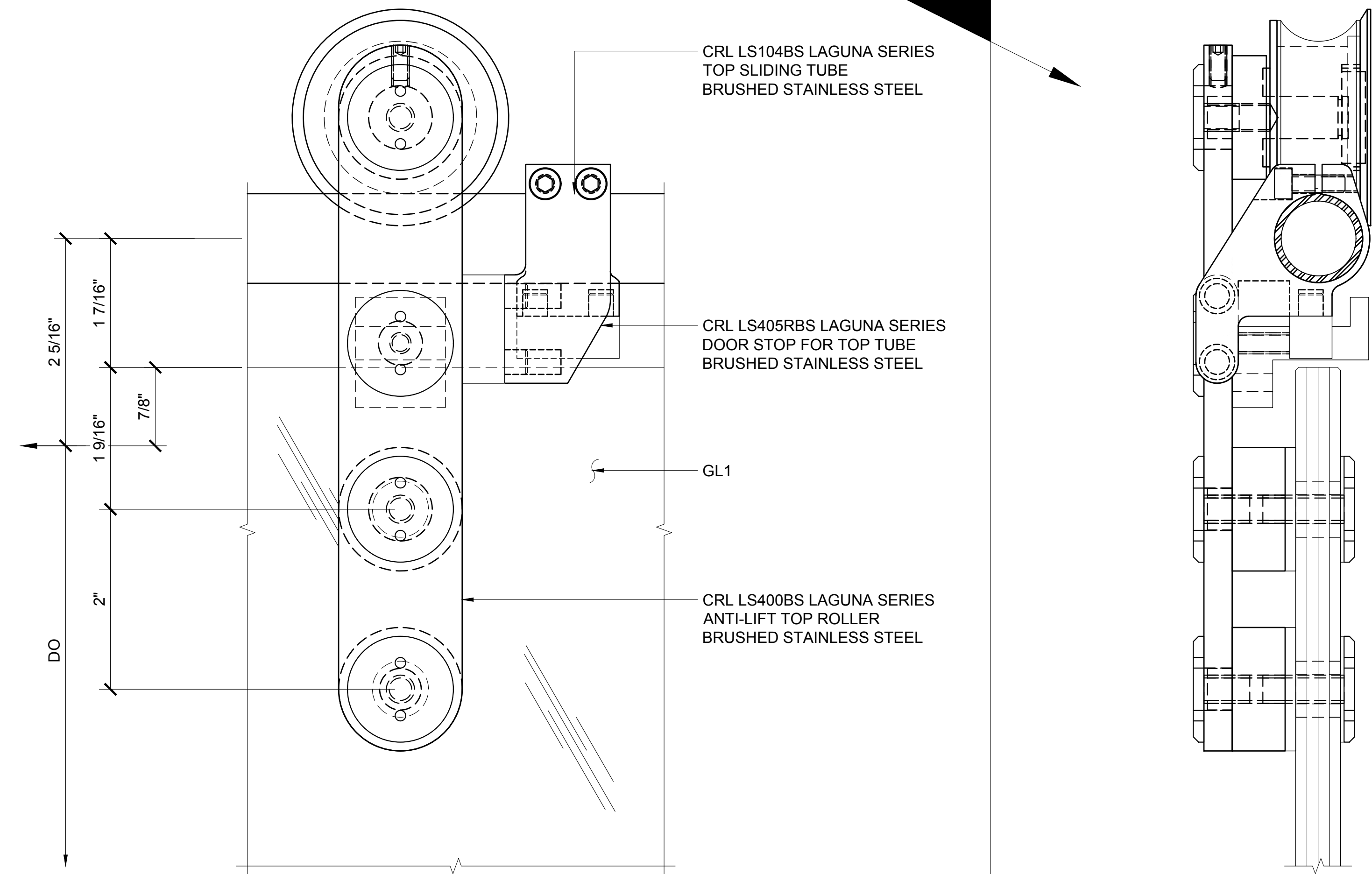
Discription:
**CRL LAGUNA OFFICE
 PARTITION SYSTEM**

Drawn By: AAD
 Date: 3/3/16
 Scale: AS NOTED
 File Name:
 0-CRL Laguna Office Partition System.dwg
 Sheet



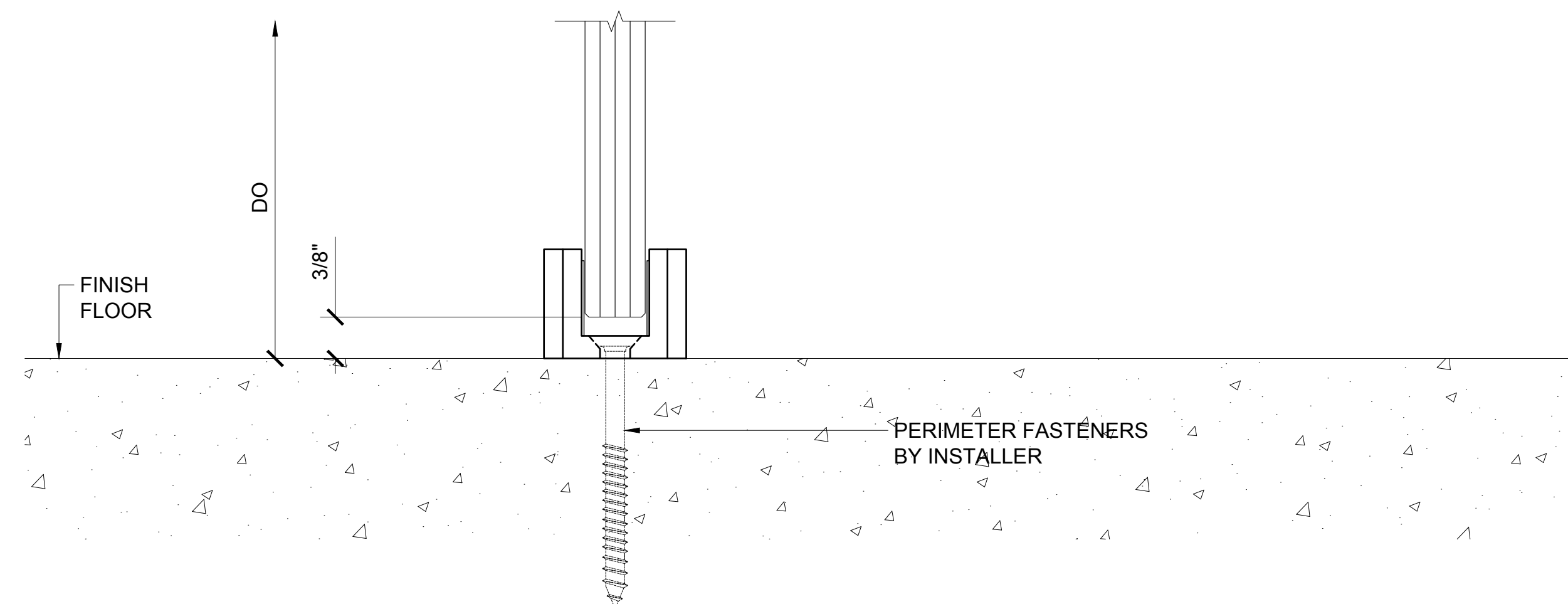
1 DOOR HEAD DETAIL

ARCH REF: 1'-0"=1'-0"



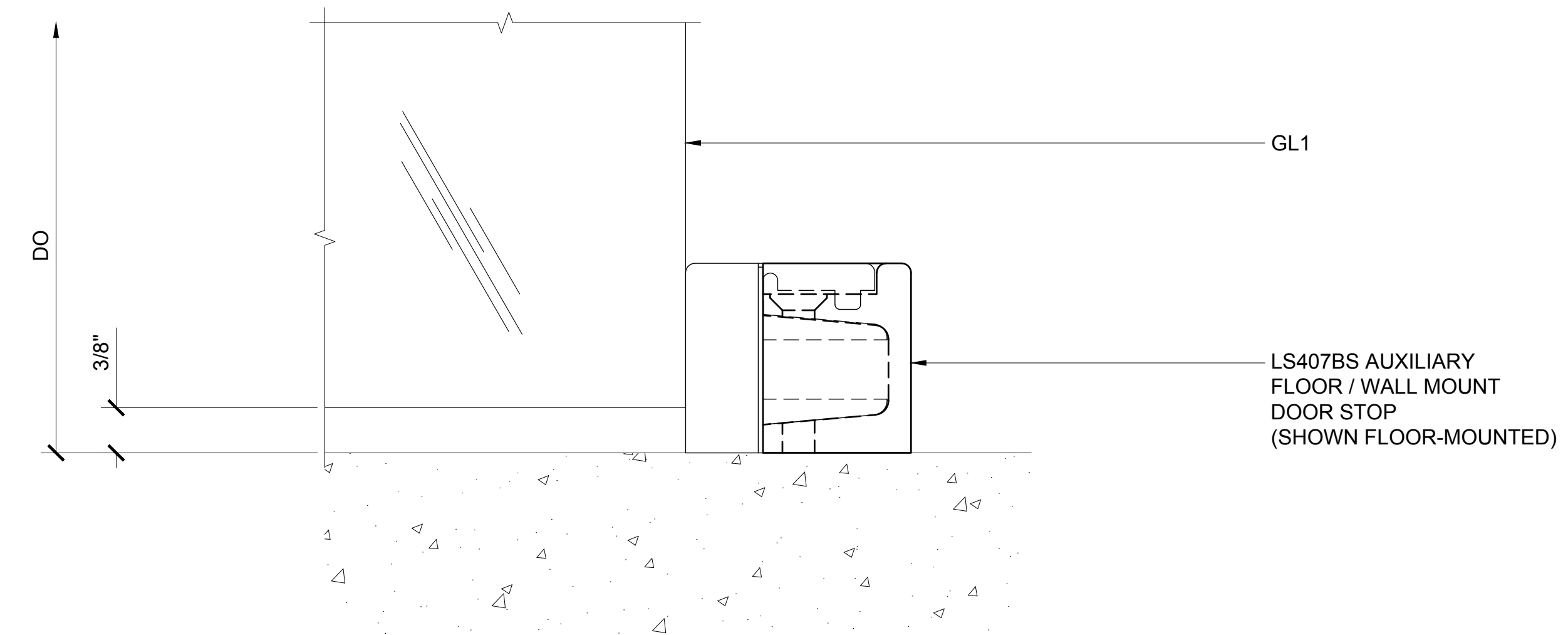
3 TOP BUMPER DETAIL

ARCH REF: 1'-0"=1'-0"



2 DOOR SILL DETAIL

ARCH REF: 1'-0"=1'-0"



4 BOTTOM BUMPER DETAIL

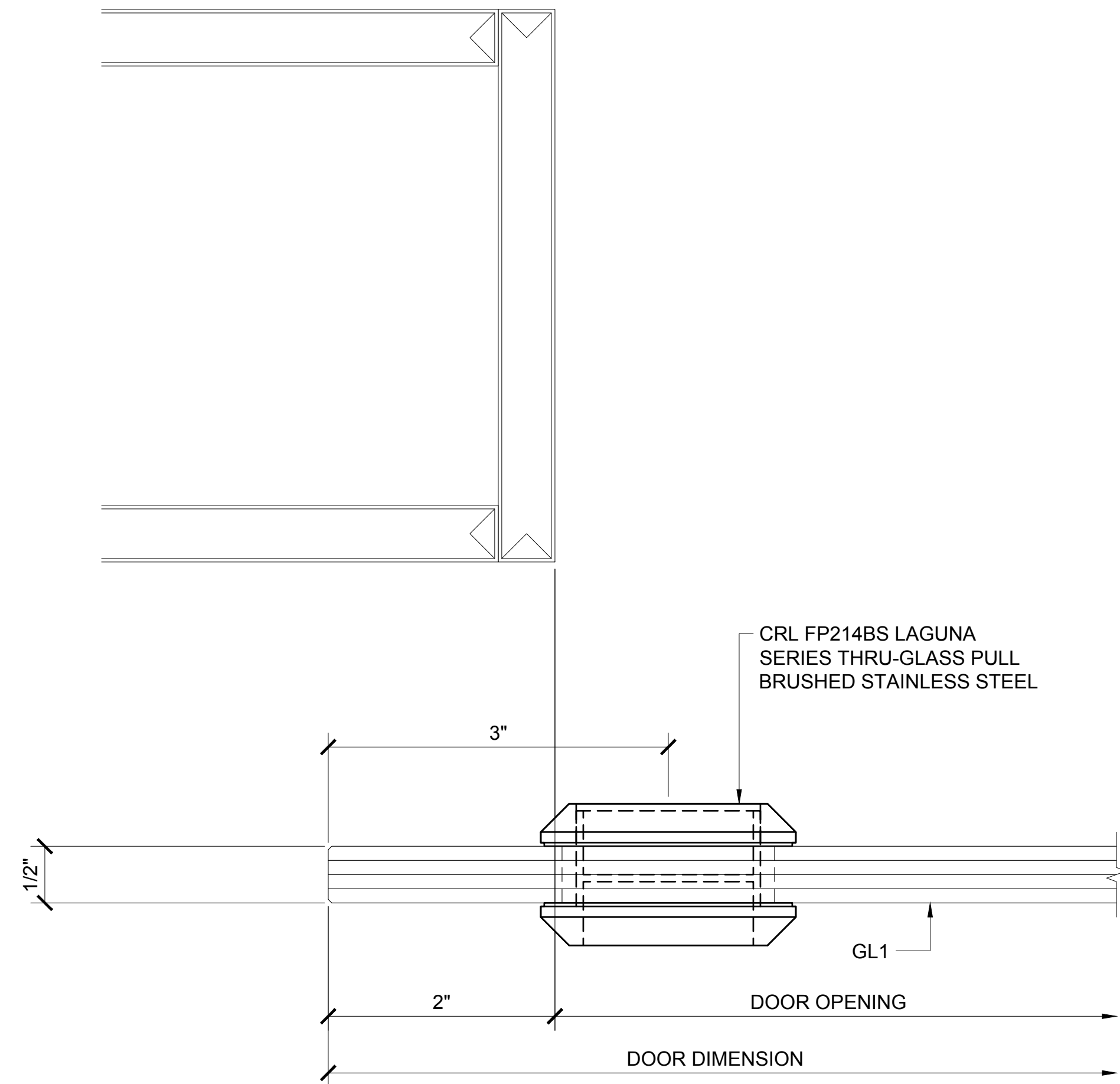
ARCH REF: 1'-0"=1'-0"

Revisions By:

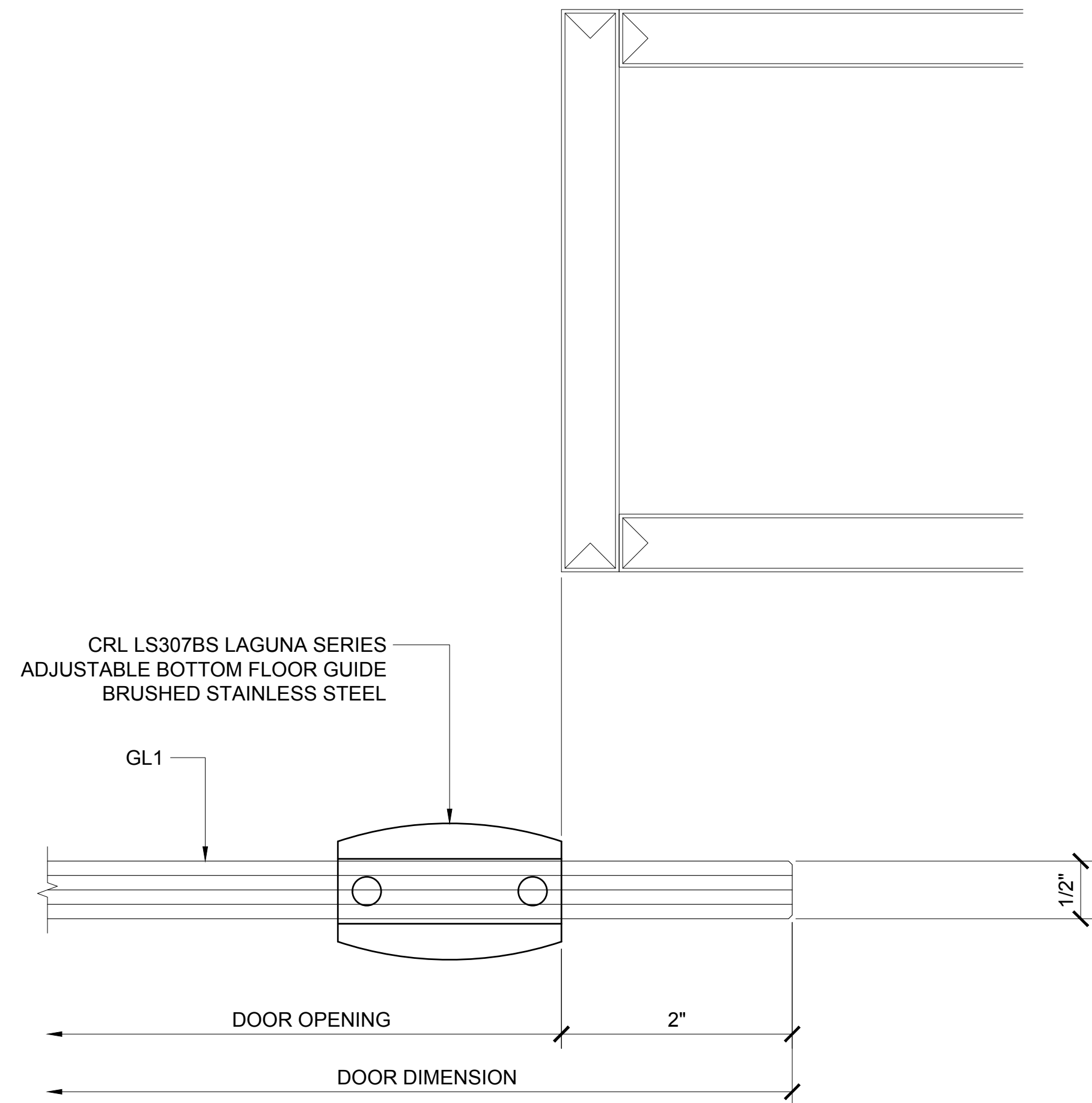


Discription:
CRL LAGUNA OFFICE
PARTITION SYSTEM

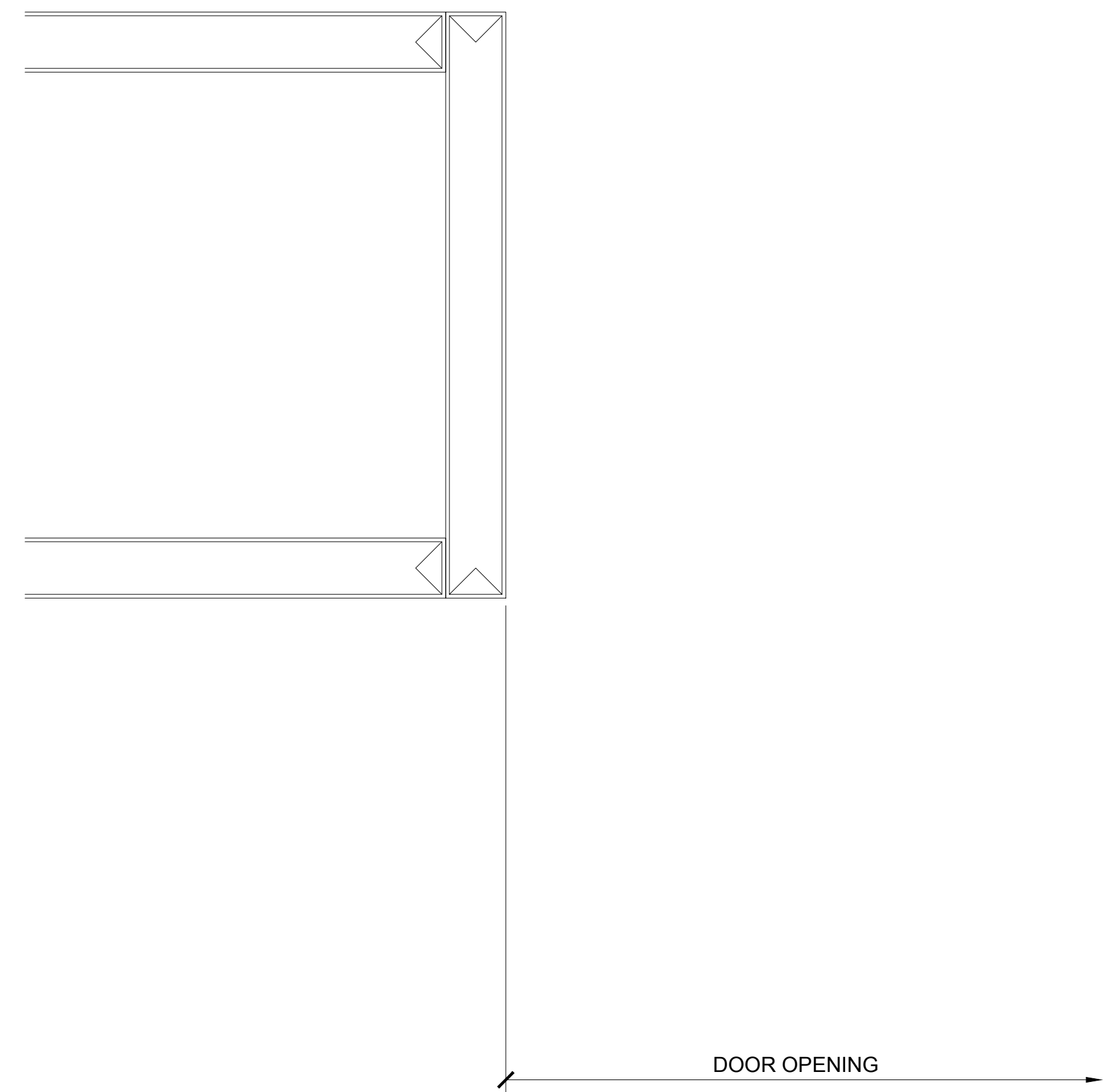
Drawn By: AAD
Date: 3/3/16
Scale: AS NOTED
File Name:
0-CRL Laguna Office Partition System.dwg
Sheet



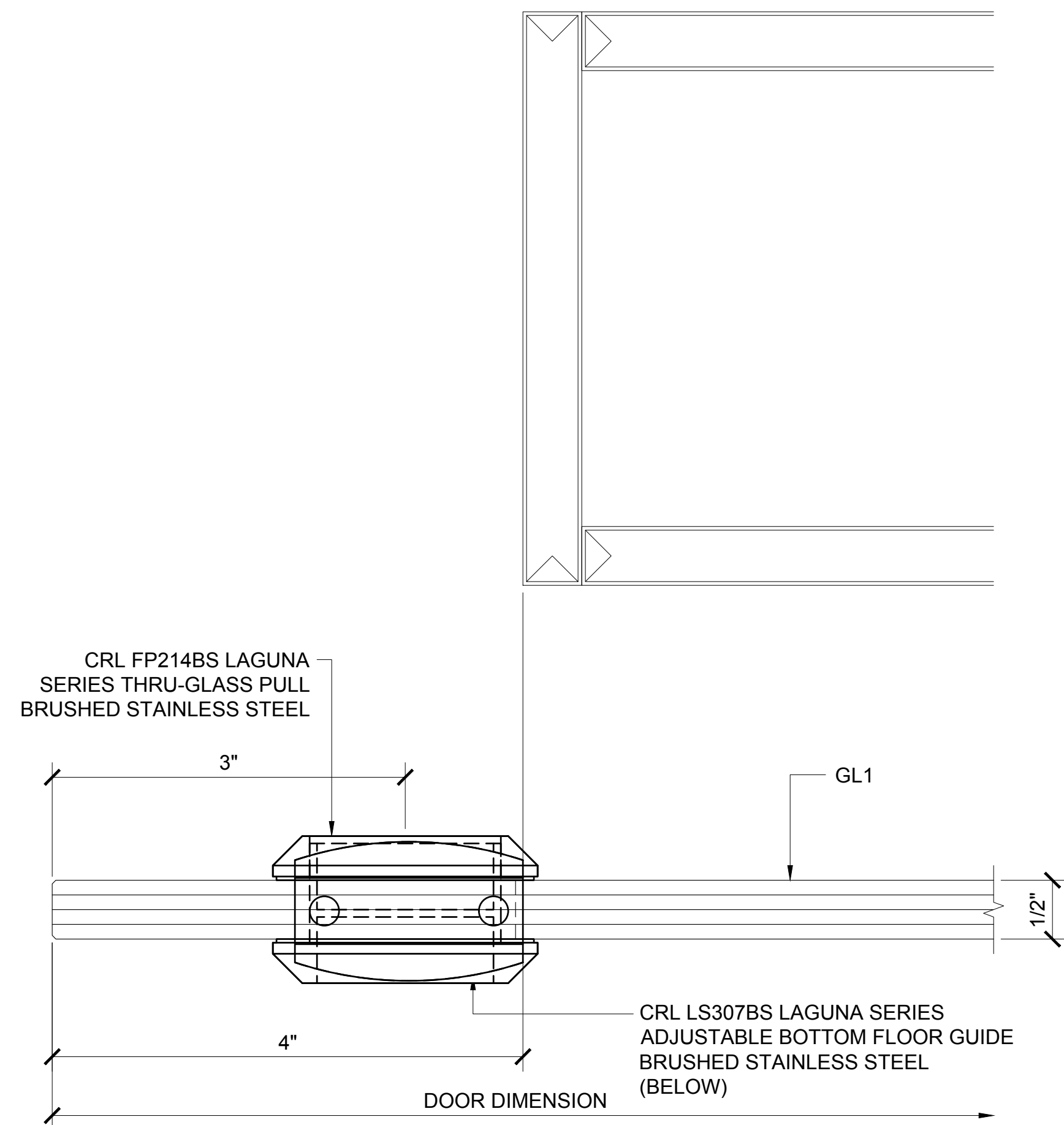
① DOOR JAMB DETAIL (DOOR CLOSED)
ARCH REF: 1'-0"=1'-0"



② DOOR JAMB DETAIL (DOOR CLOSED)
ARCH REF: 1'-0"=1'-0"



③ DOOR JAMB DETAIL (DOOR OPEN)
ARCH REF: 1'-0"=1'-0"



④ DOOR JAMB DETAIL (DOOR OPEN)
ARCH REF: 1'-0"=1'-0"



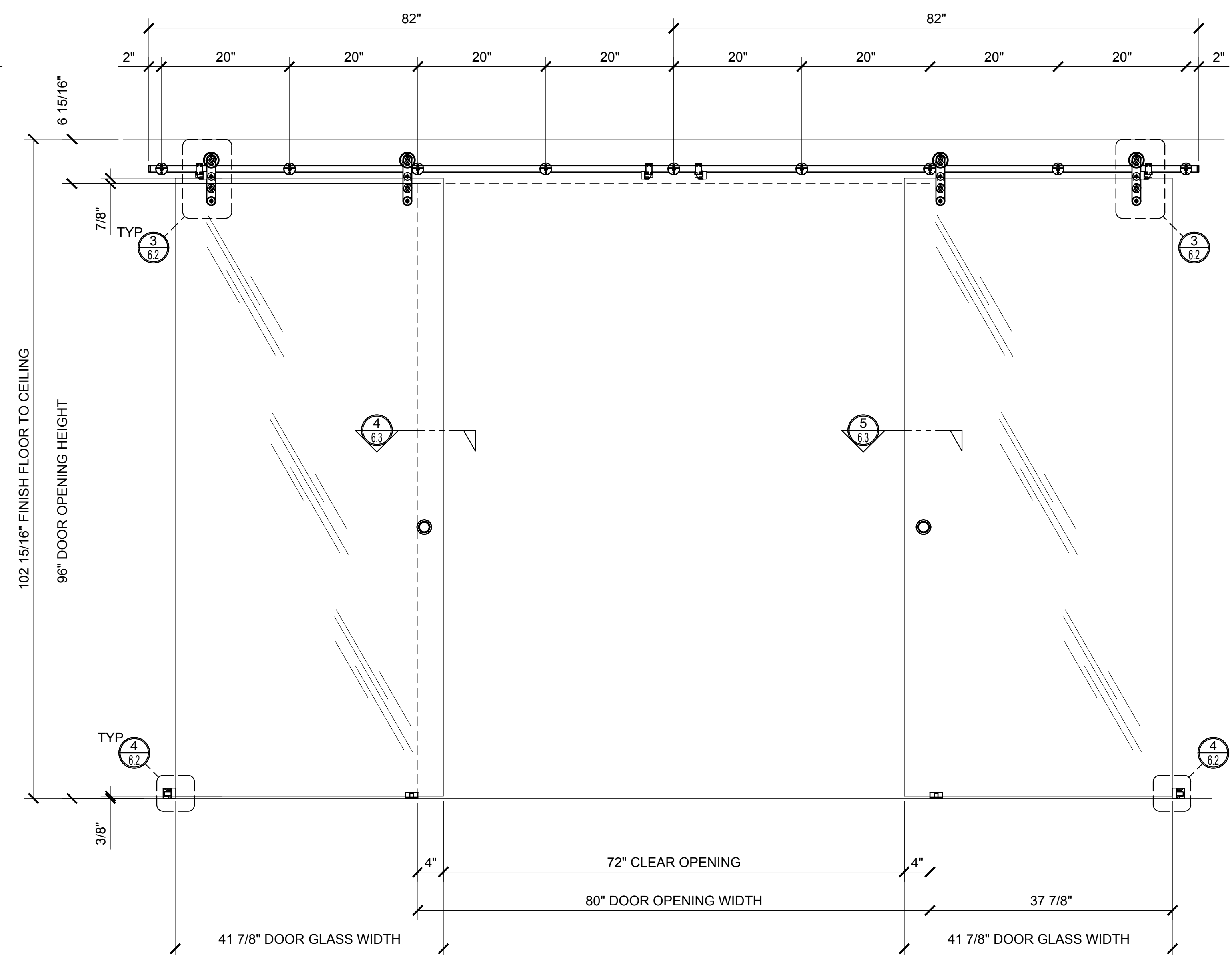
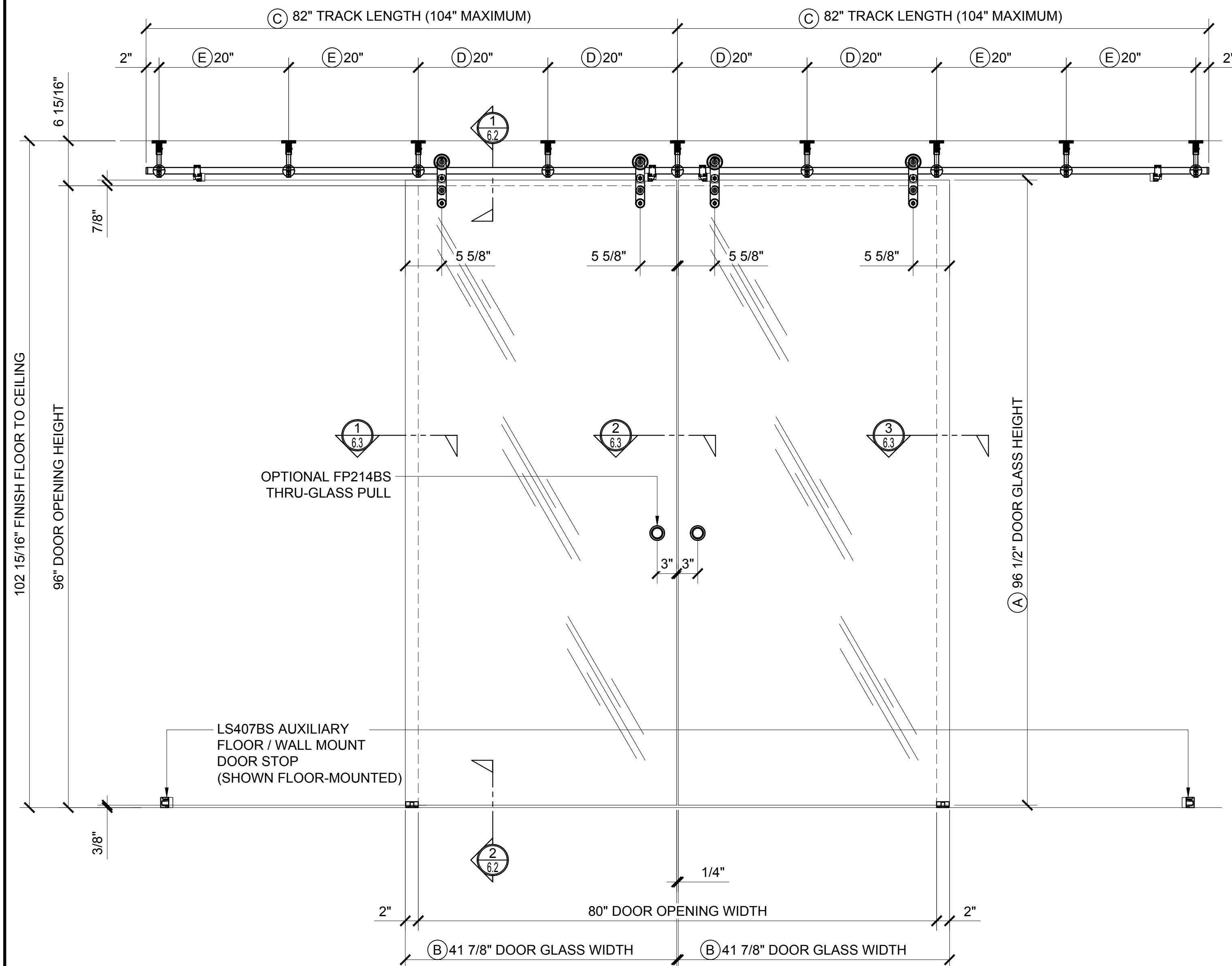
DOOR SYSTEM LIMITATIONS
 MAXIMUM DOOR WEIGHT: 220 lbs. (100 kg)
 MAXIMUM PANEL WIDTH: 53 1/2" (1.36m)
 MAXIMUM PANEL HEIGHT: 98 7/16" (2.50m)
 MAXIMUM TRACK LENGTH: 104" (2.64m)

- * ANTI-LIFT FEATURE FOR ADDED SAFETY
- * ALL 316 ALLOY BRUSHED STAINLESS STEEL CONSTRUCTION
- * IDEAL FOR INTERIOR APPLICATIONS
- * FOR USE WITH 3/8" OR 1/2" (10mm OR 12mm) GLASS
- * COMES WITH ALL FASTENERS NEEDED FOR EITHER FLUSH (COUNTERSUNK) OR SURFACE (STRAIGHT HOLE) MOUNTING
- * ADAPTOR KITS AVAILABLE FOR WOOD DOOR APPLICATIONS

CRL LSWM6BS / LS415BS LAGUNA SERIES CEILING MOUNT BI-PARTING SLIDER

Revisions By:

C.R. LAURENCE CO. ARCHITECTURAL PRODUCTS
 2503 E. Vernon Avenue, Los Angeles, CA 90058-1897
 PH: (800)-421-6144 FX: 800-587-7301 www.crlaurence.com



- (A) D.O.H. + 1/2"
- (B) (D.O.W. / 2) + 1 7/8"
- (C) D.O.W. + 2"
- (D) D.O.W. / 4
- (E) D.O.W. / 4

D.O.H. = DOOR OPENING HEIGHT

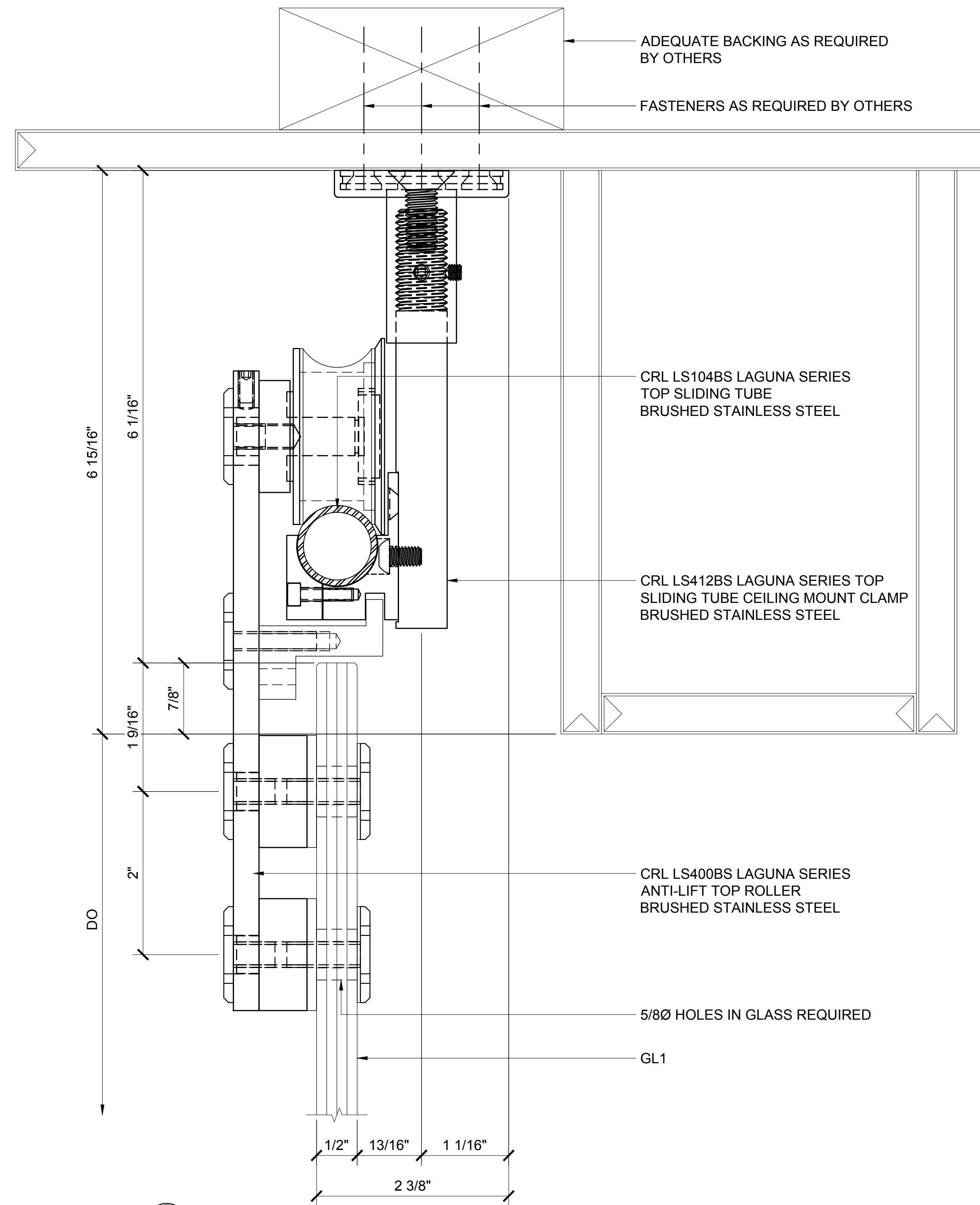
① LAGUNA SERIES DOOR (CLOSED)
 ARCH REF: NONE 1"=1'-0"

② LAGUNA SERIES DOOR (OPEN)
 ARCH REF: NONE 1"=1'-0"

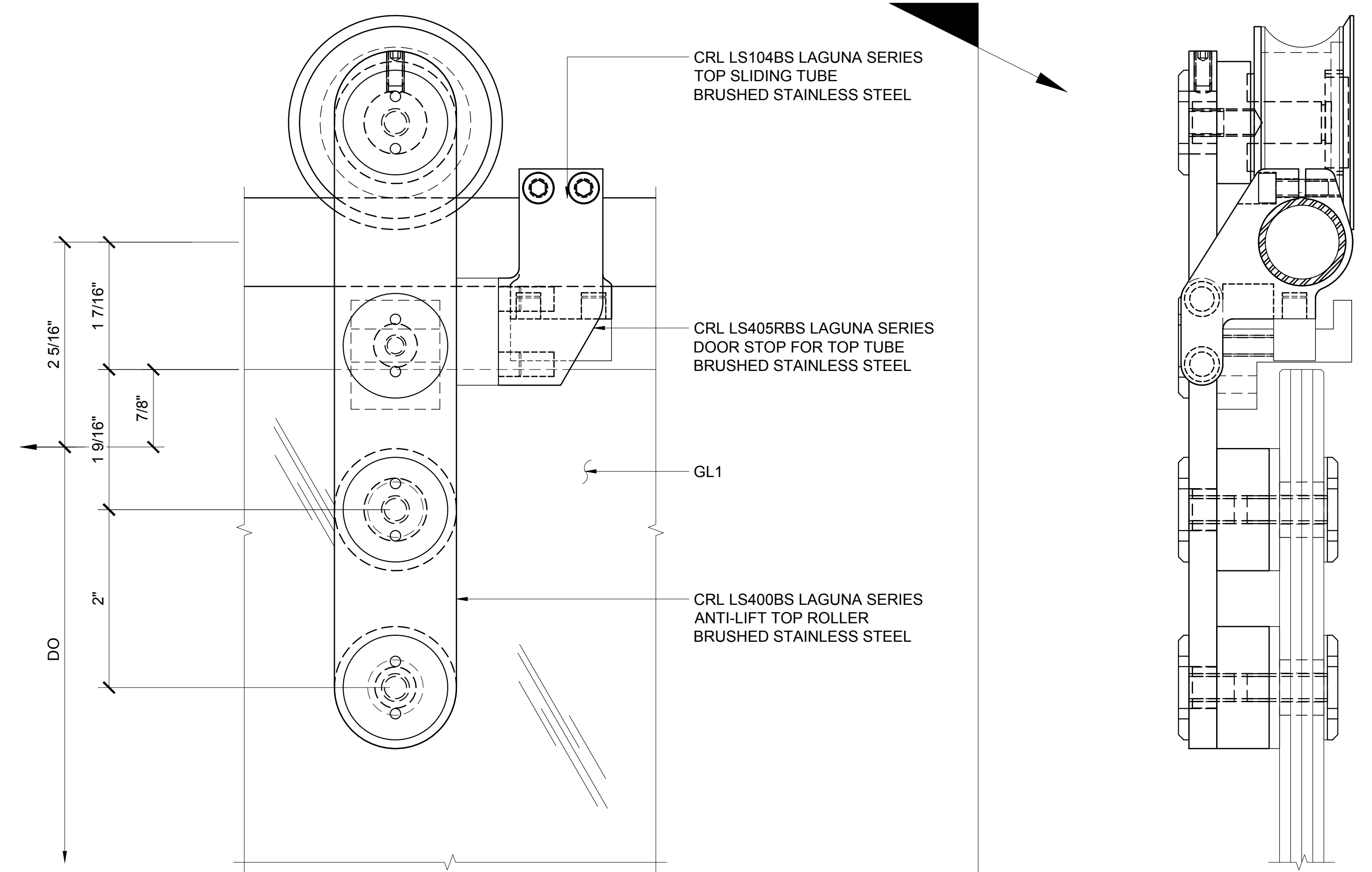
Description:

CRL LAGUNA OFFICE
 PARTITION SYSTEM

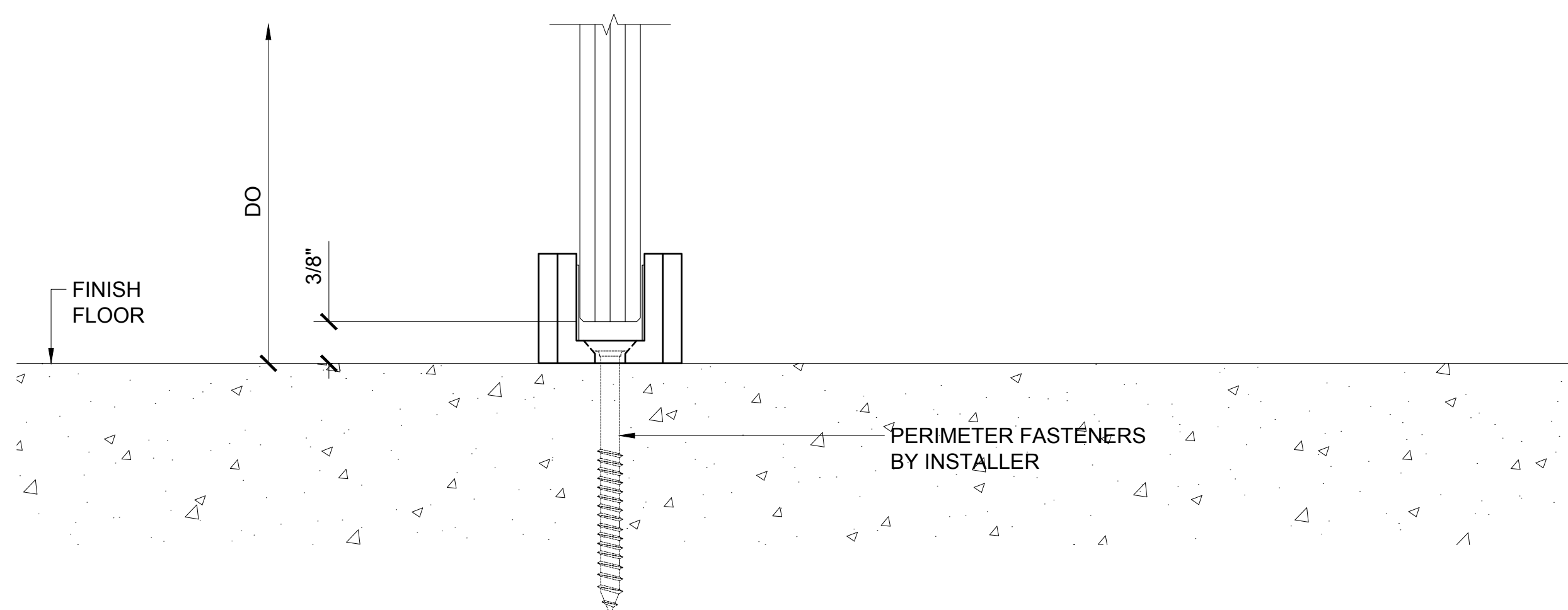
Drawn By: AAD
 Date: 3/3/16
 Scale: AS NOTED
 File Name:
 0-CRL Laguna Office Partition System.dwg
 Sheet



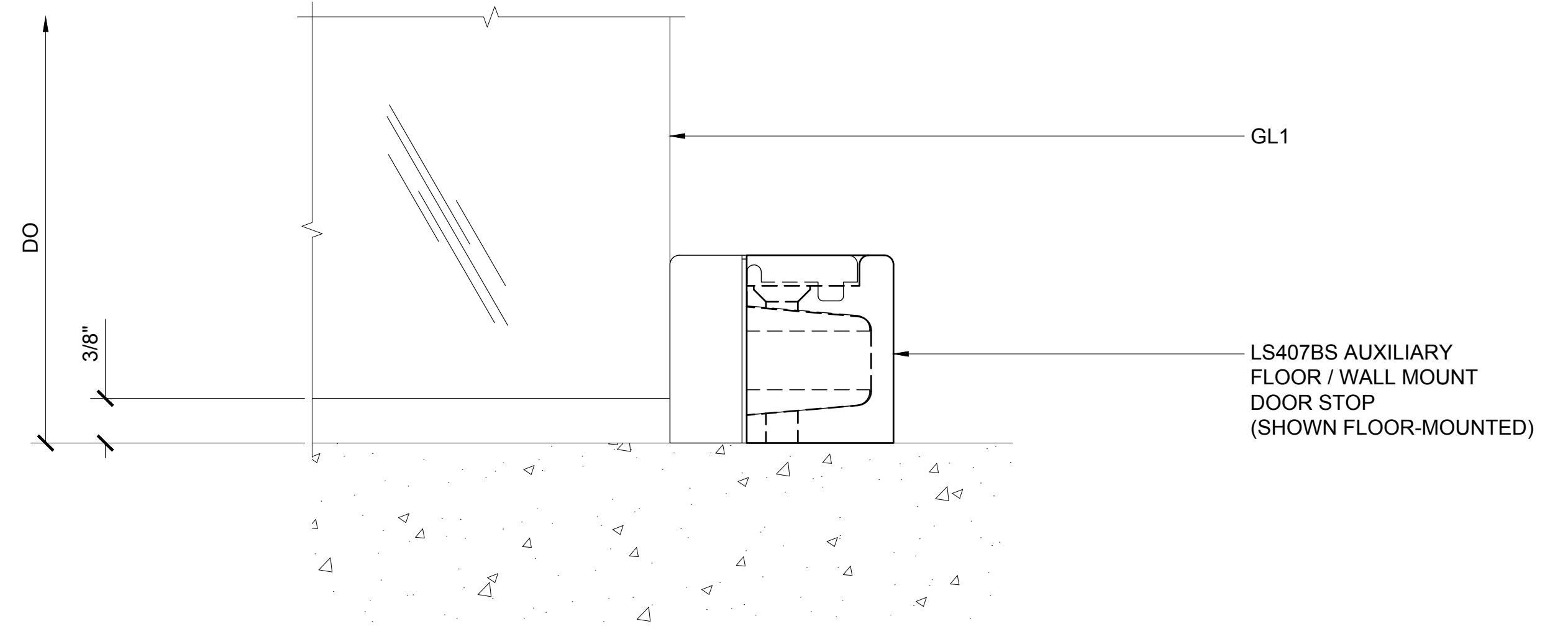
1 DOOR HEAD DETAIL
 ARCH REF: 1'-0"=1'-0"



3 TOP BUMPER DETAIL
 ARCH REF: 1'-0"=1'-0"

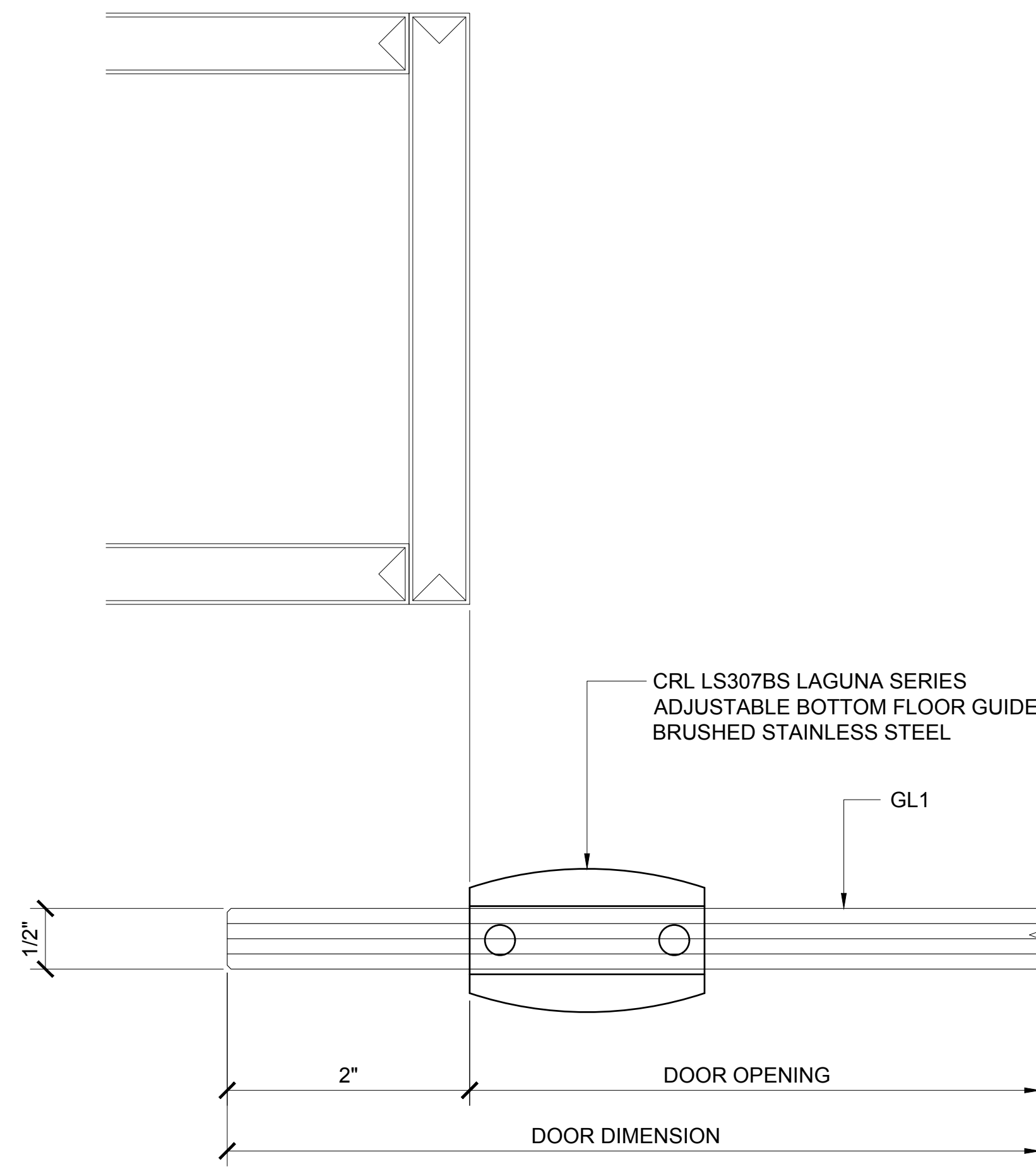


2 DOOR SILL DETAIL
 ARCH REF: 1'-0"=1'-0"



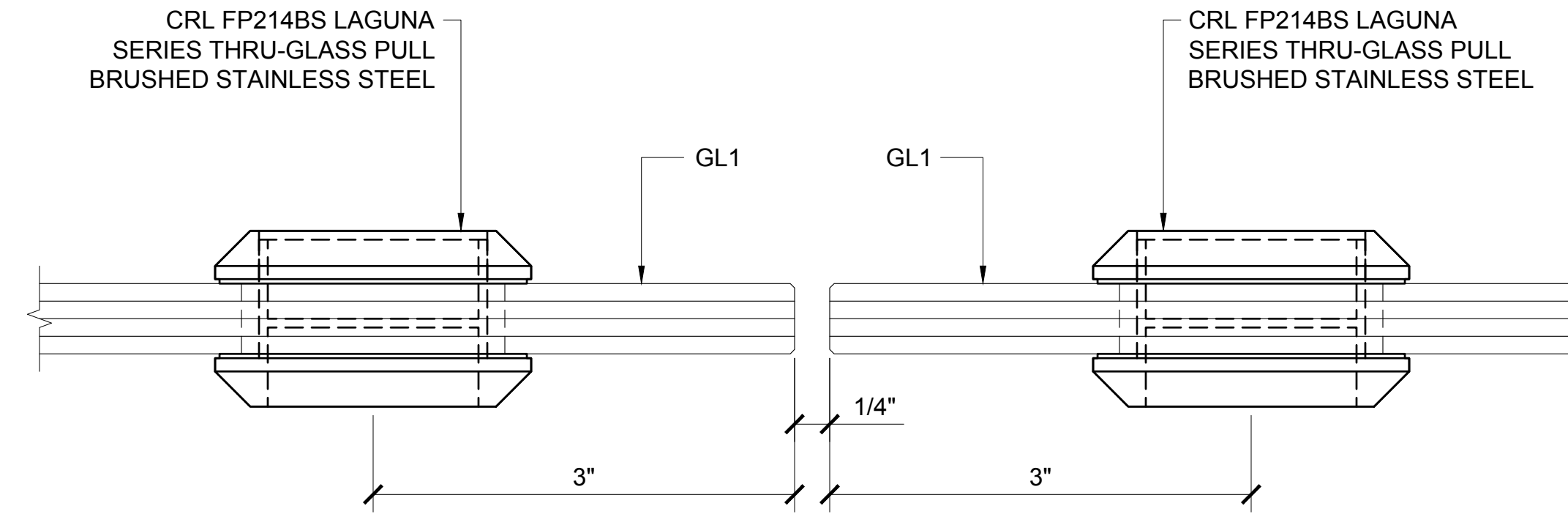
4 BOTTOM BUMPER DETAIL
 ARCH REF: 1'-0"=1'-0"

Revisions By:



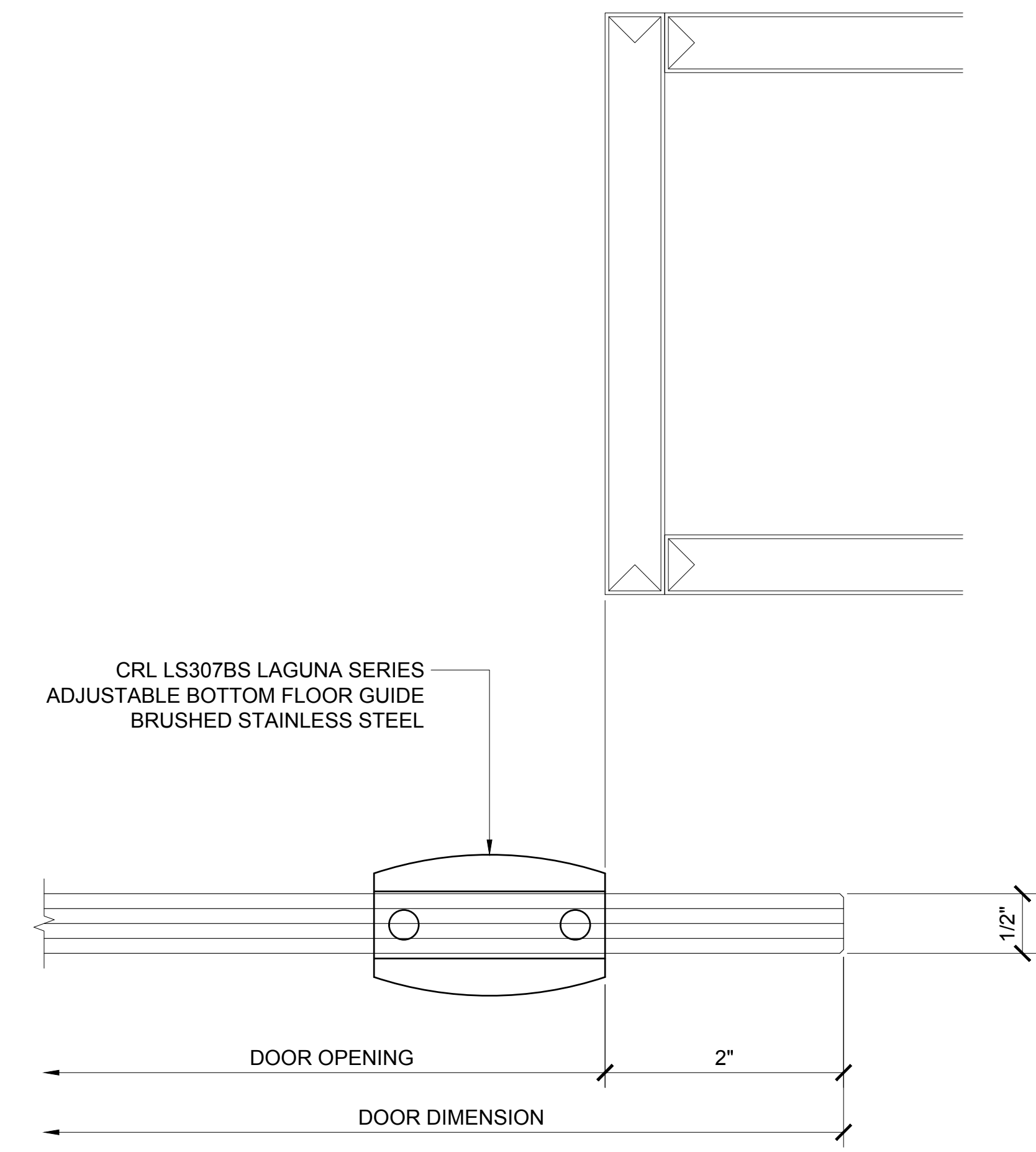
① DOOR JAMB DETAIL (DOOR CLOSED)

ARCH REF: 1'-0"=1'-0"



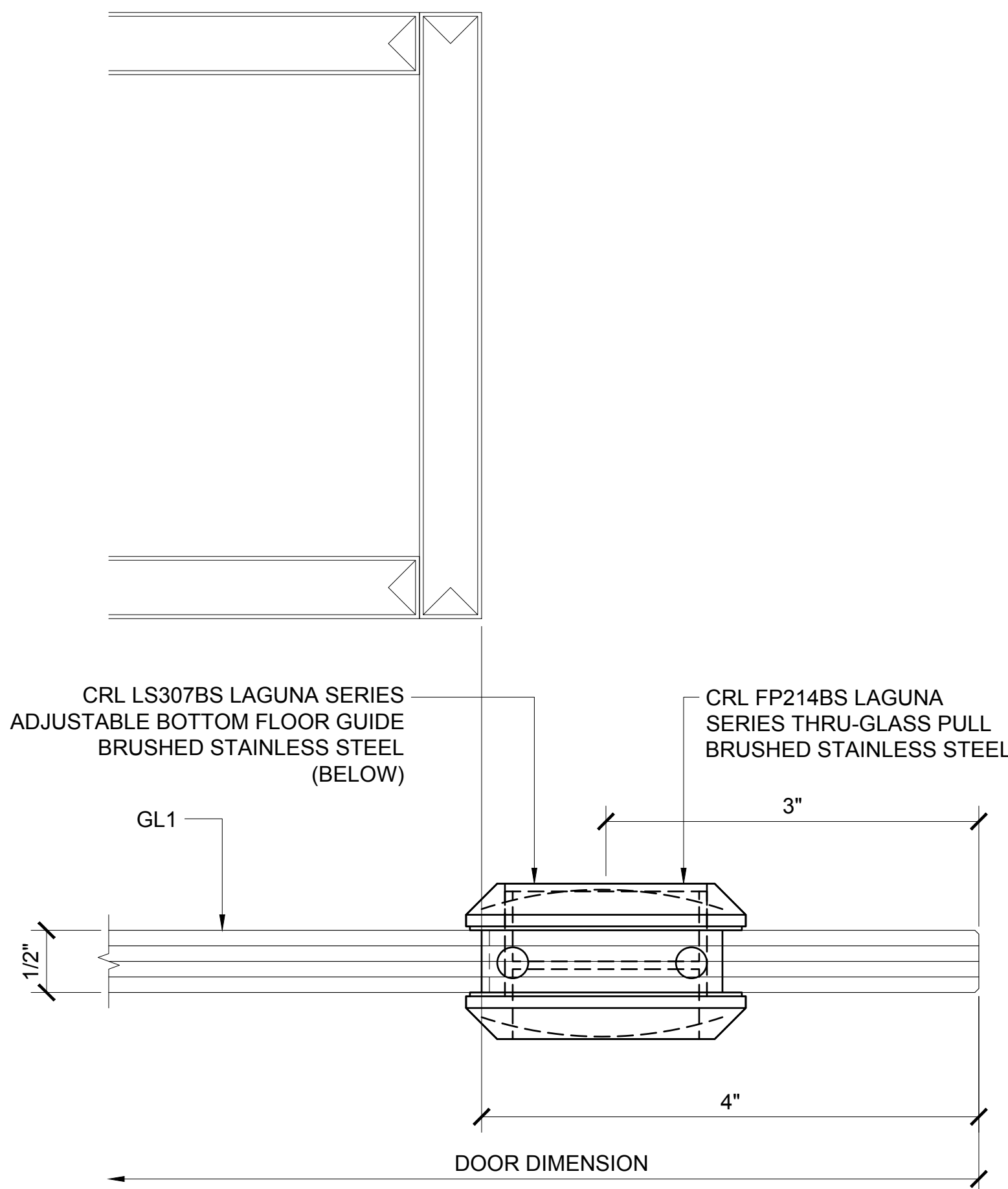
② MEETING STILES DETAIL (DOOR CLOSED)

ARCH REF: 1'-0"=1'-0"



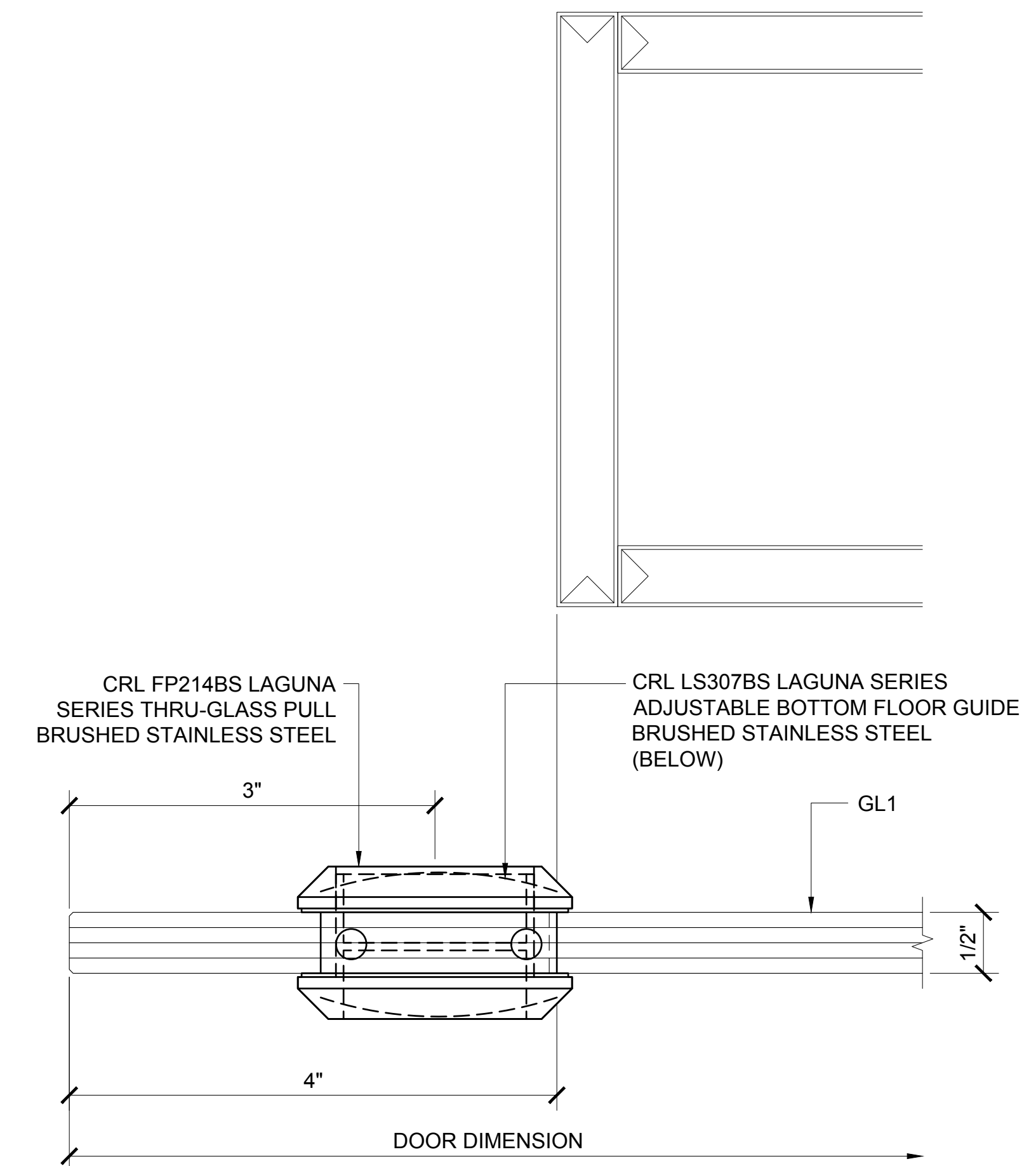
③ DOOR JAMB DETAIL (DOOR CLOSED)

ARCH REF: 1'-0"=1'-0"



④ DOOR JAMB DETAIL (DOOR OPEN)

ARCH REF: 1'-0"=1'-0"



⑤ DOOR JAMB DETAIL (DOOR OPEN)

ARCH REF: 1'-0"=1'-0"

Description:

CRL LAGUNA OFFICE
PARTITION SYSTEM

Drawn By: AAD

Date: 3/3/16

Scale: AS NOTED

File Name:

0-CRL Laguna Office Partition System.dwg

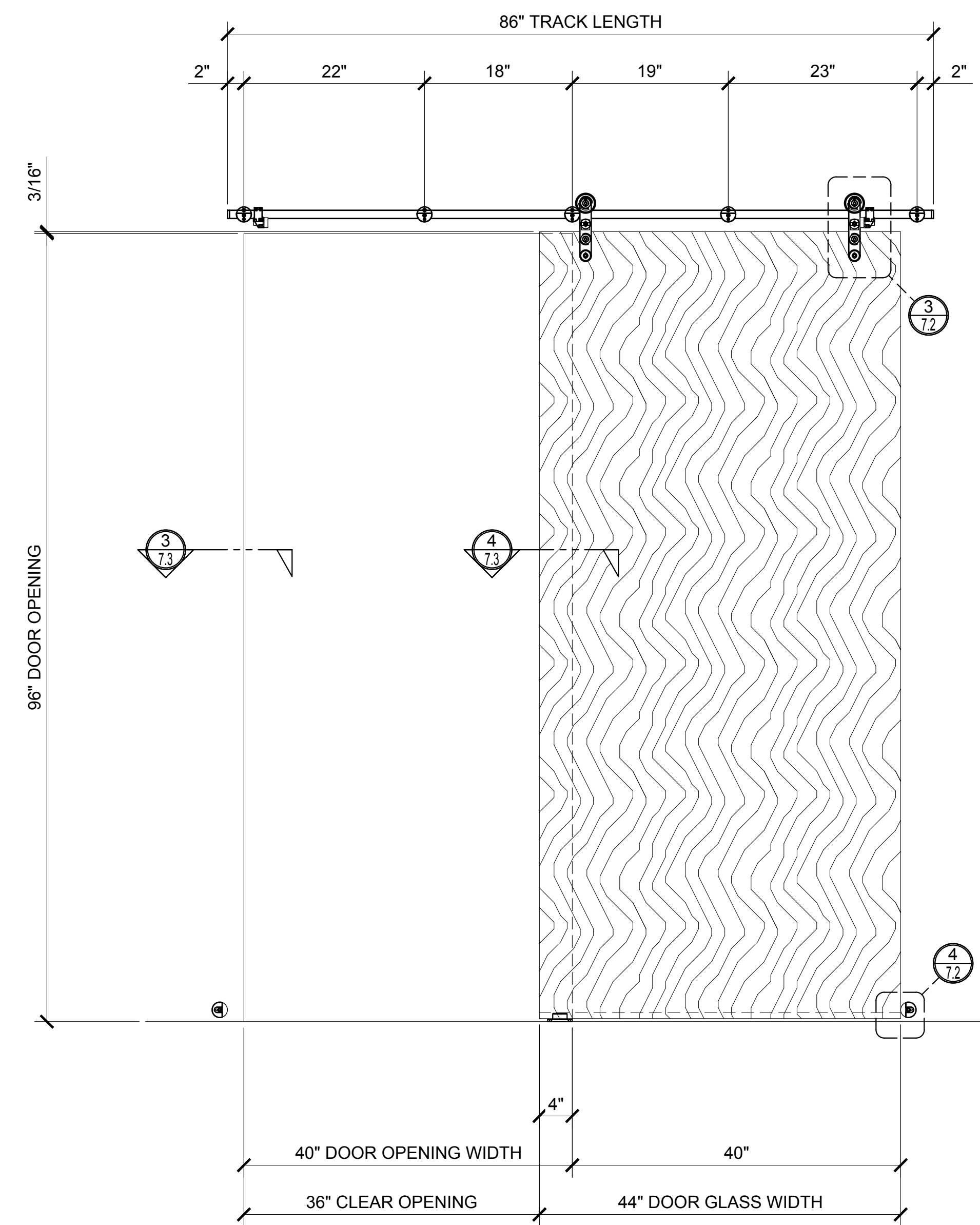
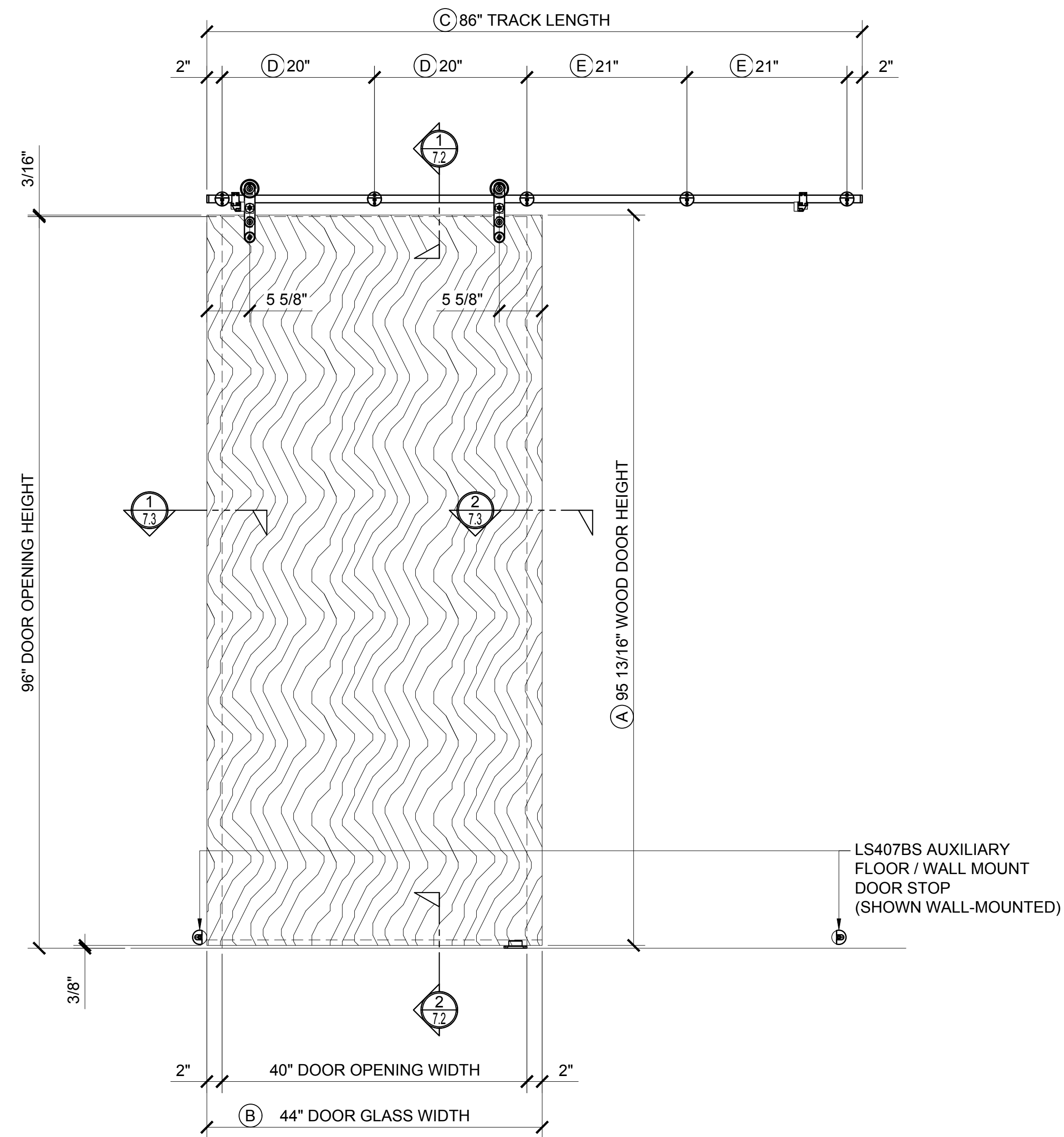
Sheet



DOOR SYSTEM LIMITATIONS
 MAXIMUM DOOR WEIGHT: 220 lbs. (100 kg)
 MAXIMUM PANEL WIDTH: 53 1/2" (1.36m)
 MAXIMUM PANEL HEIGHT: 98 7/16" (2.50m)
 MAXIMUM TRACK LENGTH: 104" (2.64m)

- * ANTI-LIFT FEATURE FOR ADDED SAFETY
- * ALL 316 ALLOY BRUSHED STAINLESS STEEL CONSTRUCTION
- * IDEAL FOR INTERIOR APPLICATIONS
- * FOR USE WITH 1 3/4" (44mm) WOOD DOOR

CRL LSWM3BS / LSWMADT LAGUNA SERIES WALL MOUNT SINGLE SLIDER



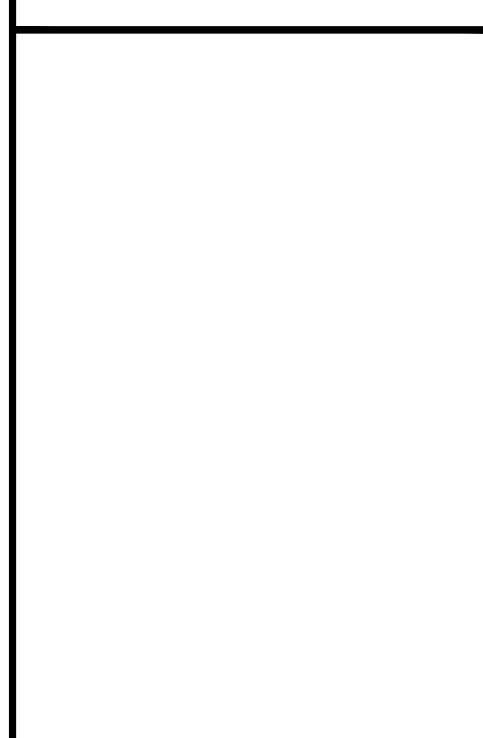
- (A) D.O.H. - 3/16"
- (B) D.O.W. + 4"
- (C) (D.O.W. x 2) + 6"
- (D) D.O.W. / 2
- (E) ((B) / 2) - 1"

D.O.H. = DOOR OPENING HEIGHT
 D.O.W. = DOOR OPENING WIDTH

① LAGUNA SERIES DOOR (CLOSED)
 ARCH REF: NONE 1"=1'-0"

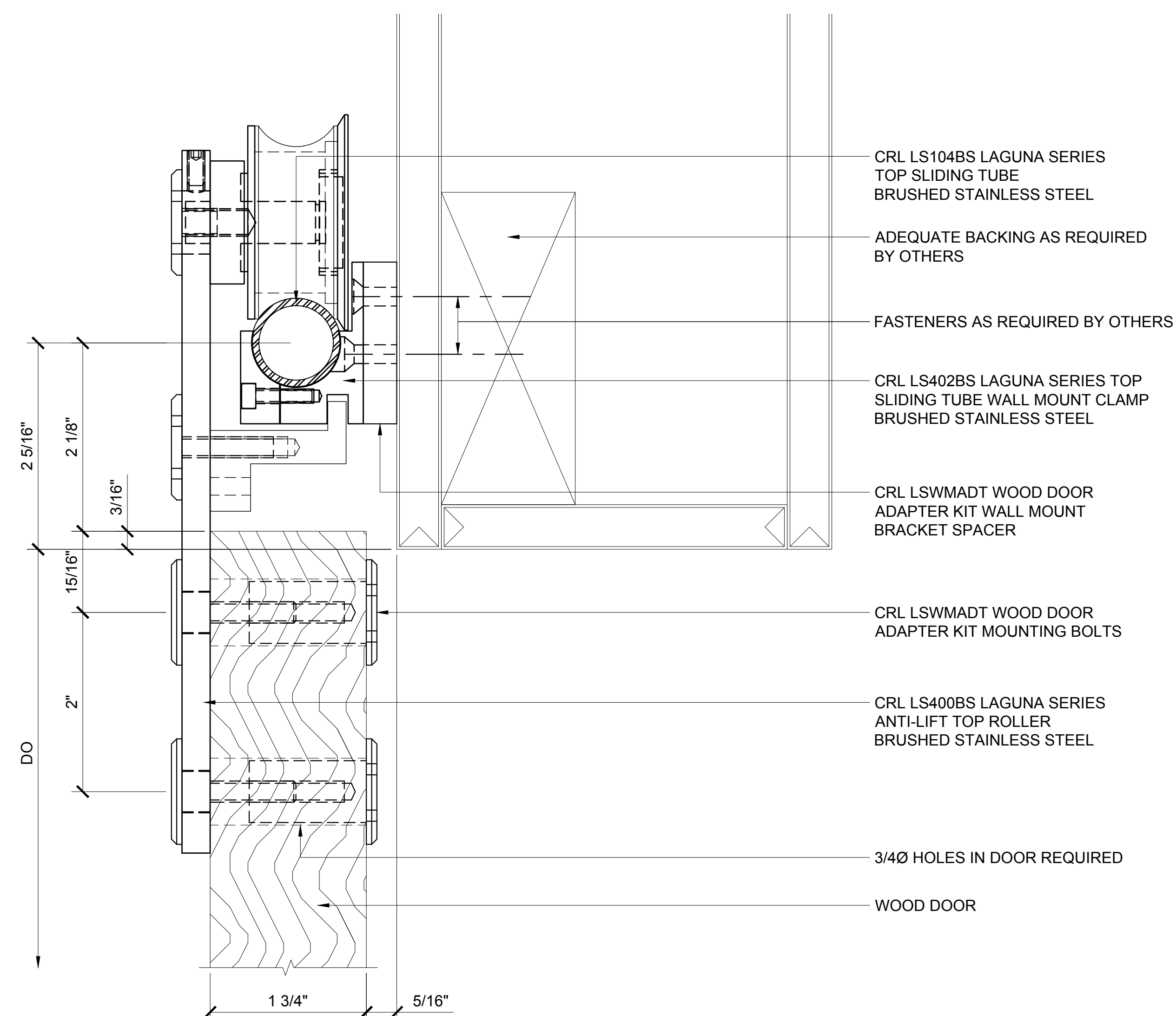
② LAGUNA SERIES DOOR (OPEN)
 ARCH REF: NONE 1"=1'-0"

Revisions By:



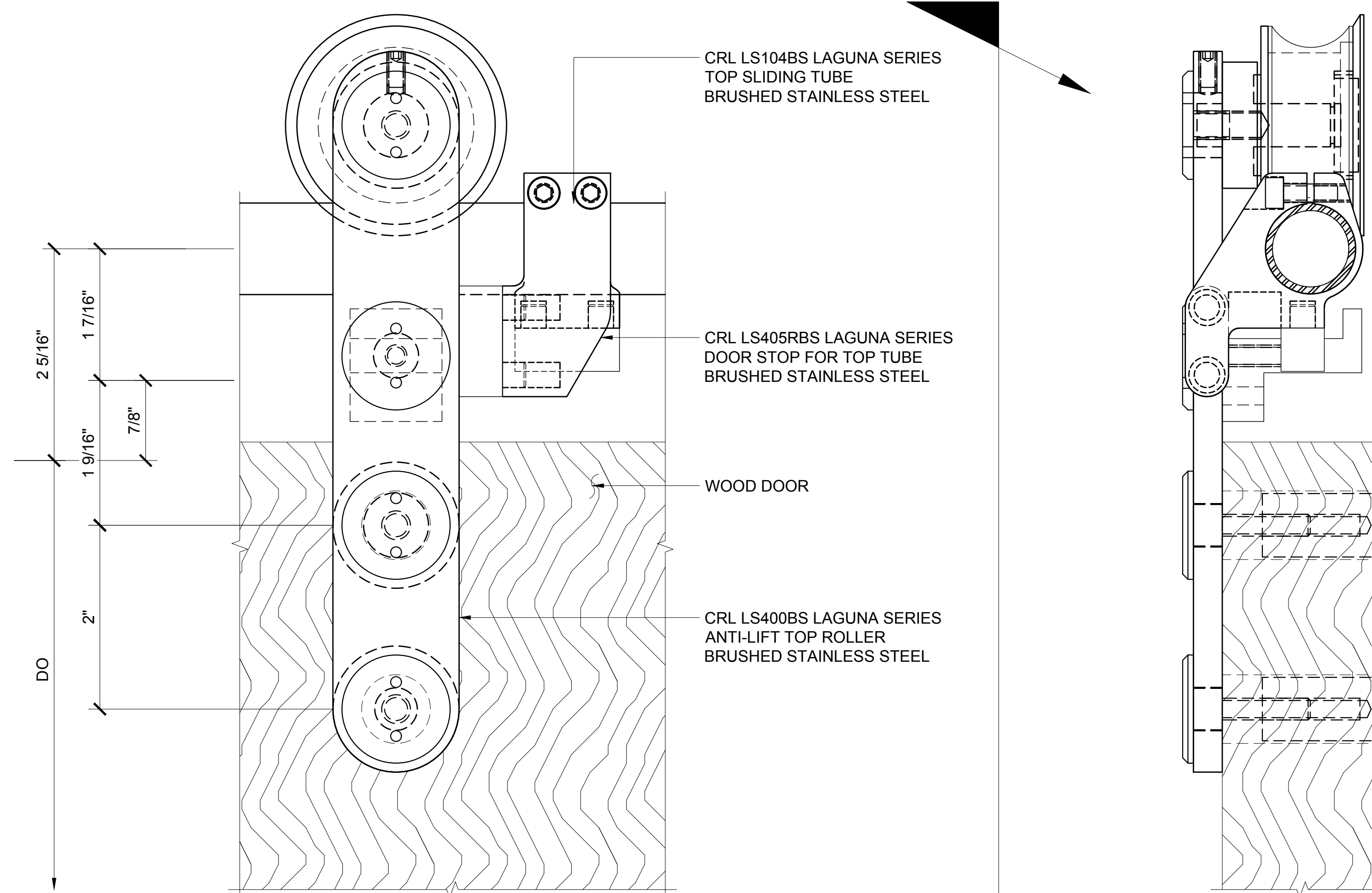
Description:
CRL LAGUNA OFFICE PARTITION SYSTEM

Drawn By: AAD
 Date: 3/3/16
 Scale: AS NOTED
 File Name:
 0-CRL Laguna Office Partition System.dwg
 Sheet



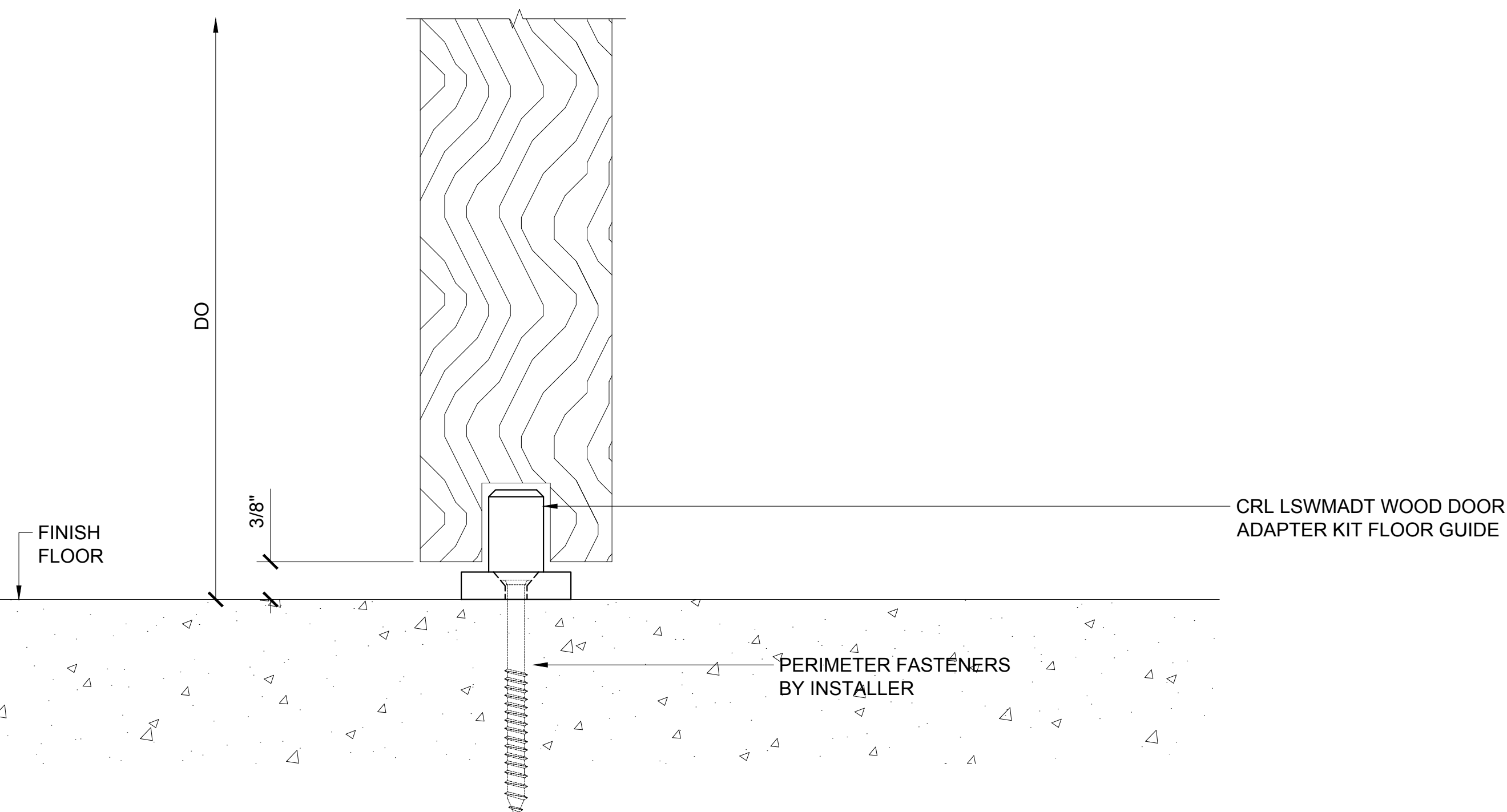
① SIDELITE HEAD DETAIL

ARCH REF: 1'-0"=1'-0"



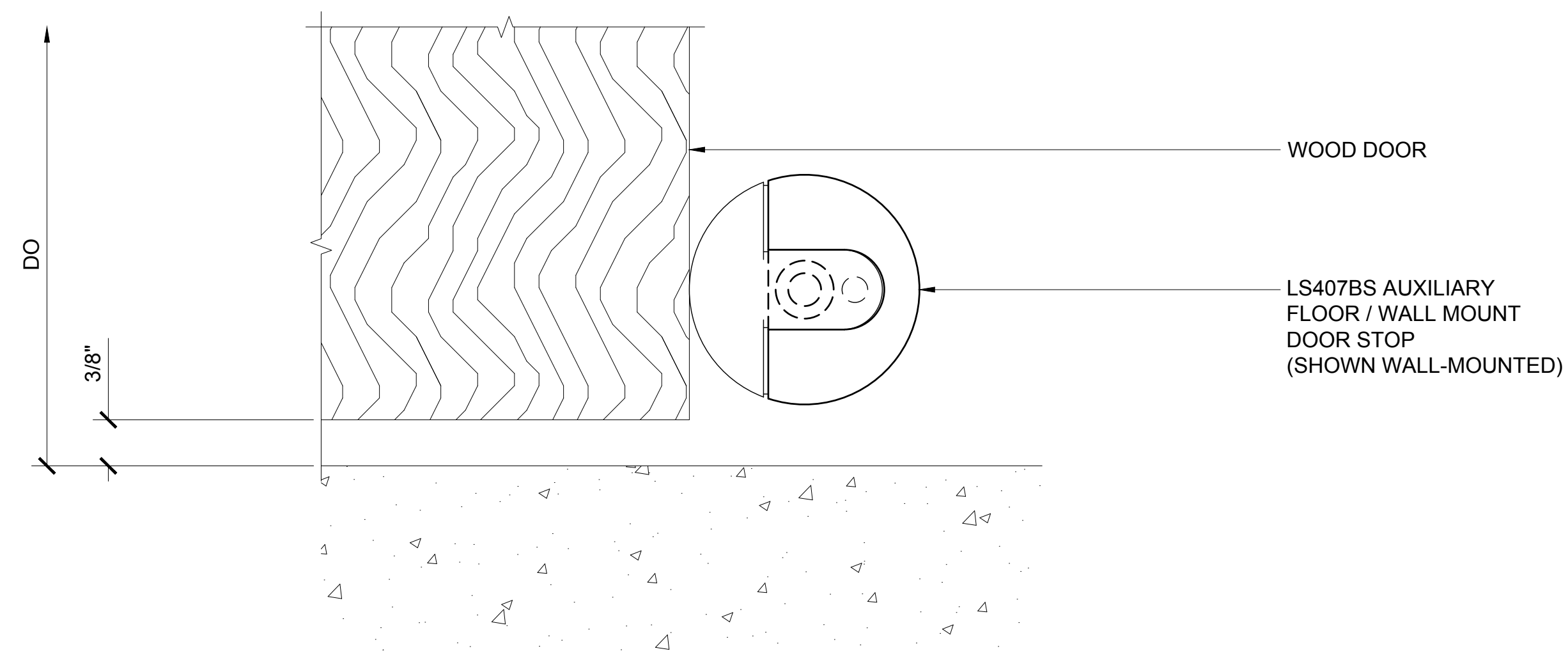
③ TOP BUMPER DETAIL

ARCH REF: 1'-0"=1'-0"



② SIDELITE SILL DETAIL

ARCH REF: 1'-0"=1'-0"



④ BOTTOM BUMPER DETAIL

ARCH REF: 1'-0"=1'-0"

Discription:

CRL LAGUNA OFFICE
 PARTITION SYSTEM

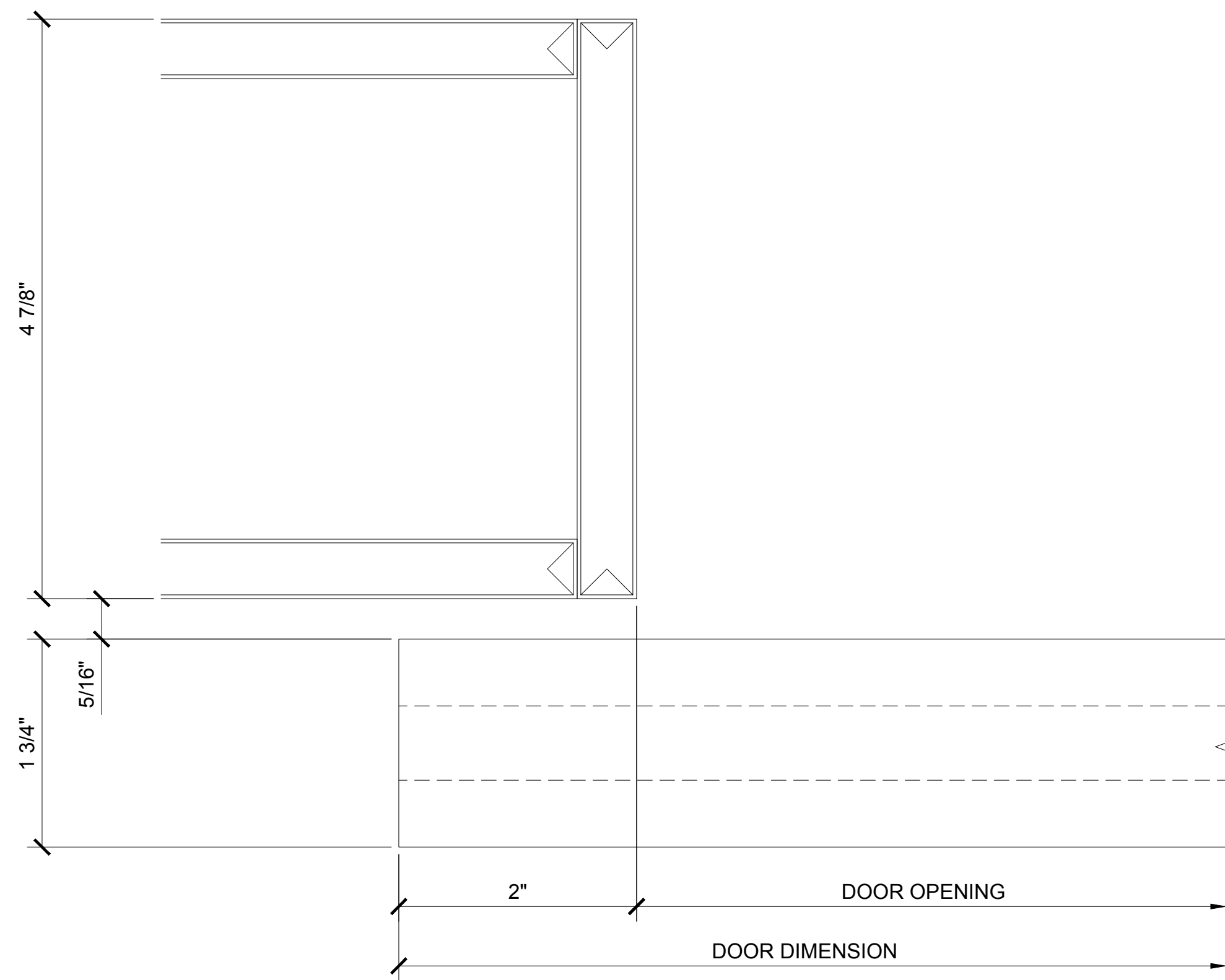
Drawn By: AAD

Date: 3/3/16

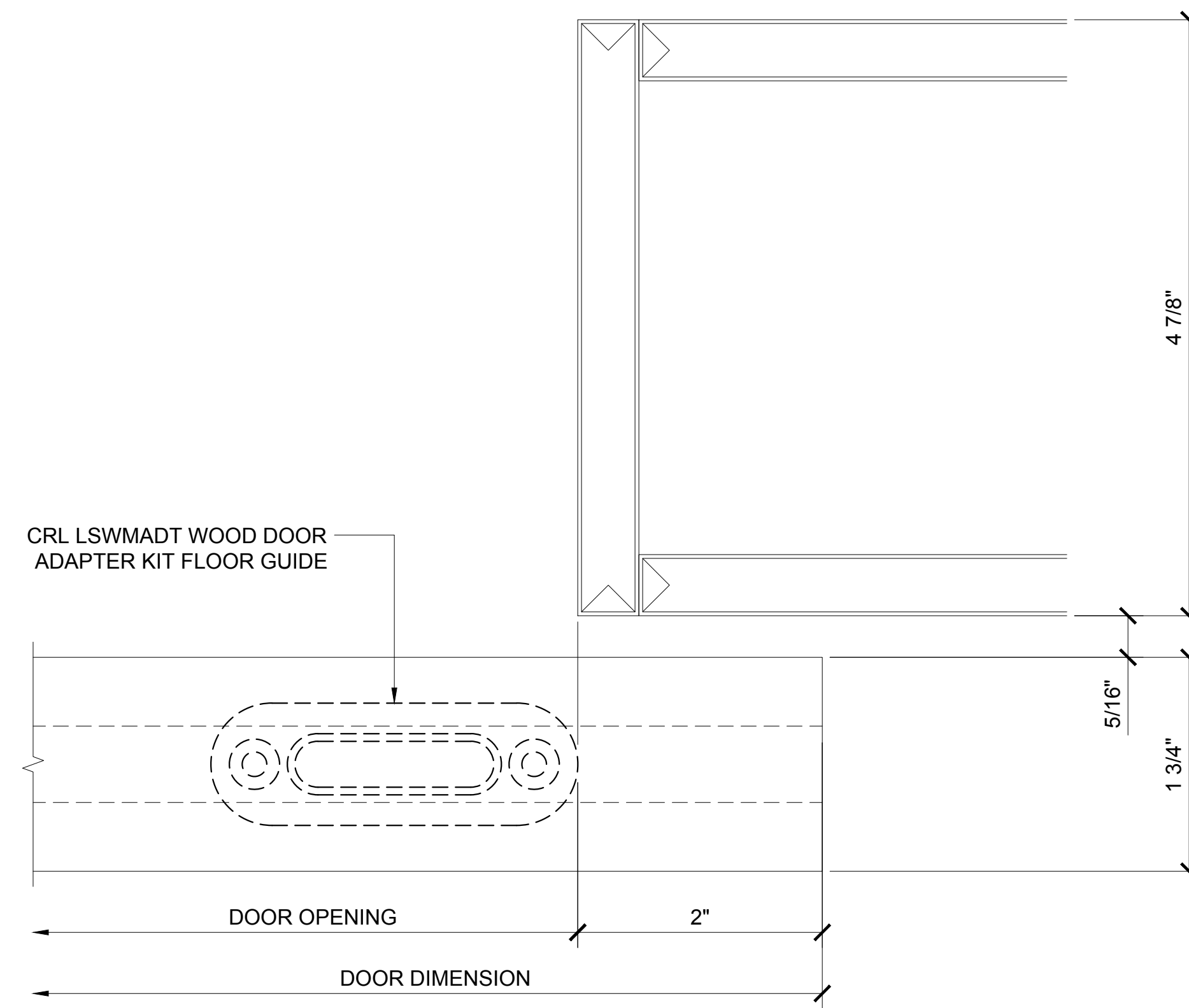
Scale: AS NOTED

File Name:

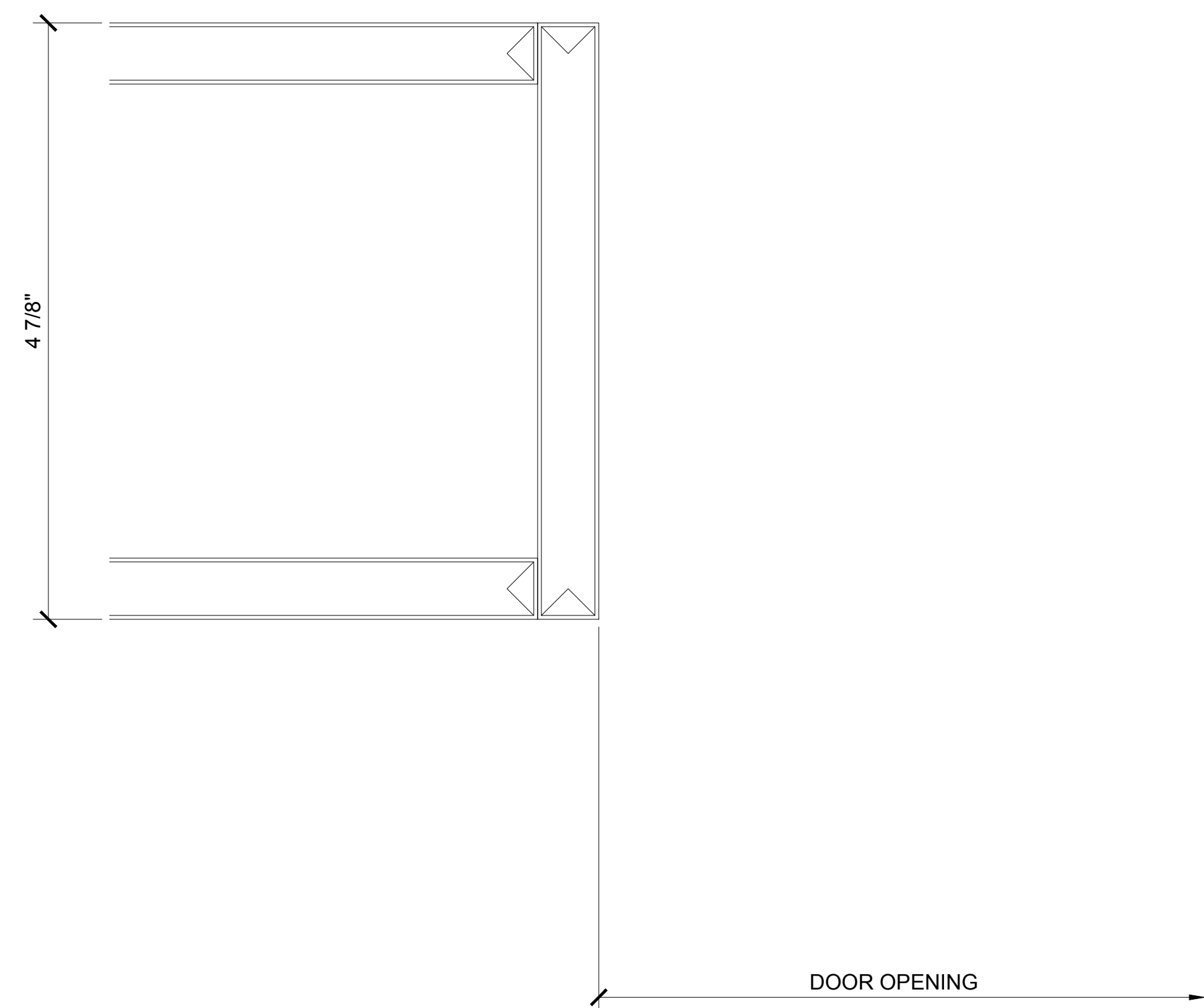
0-CRL Laguna Office Partition System.dwg
 Sheet



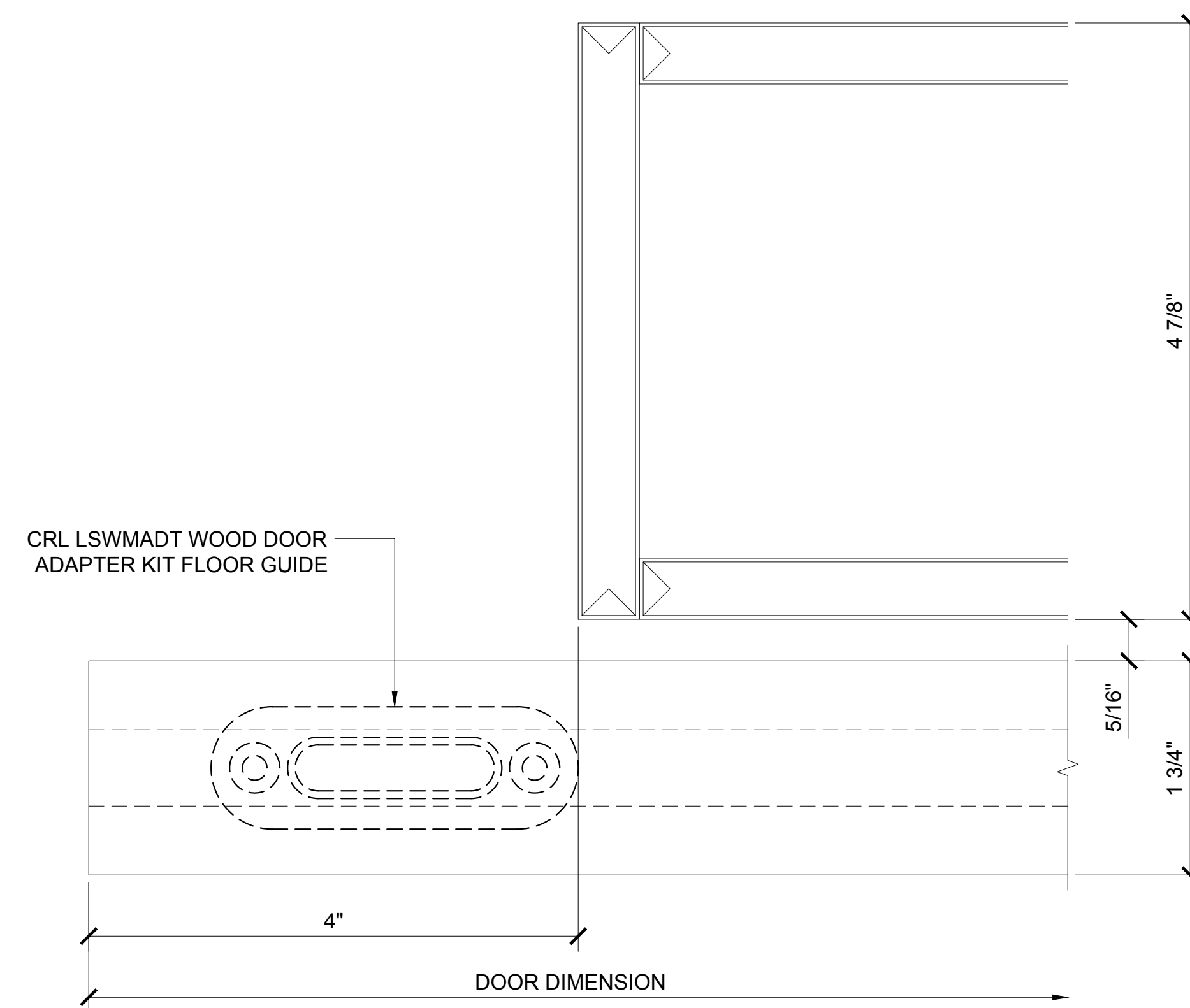
① DOOR JAMB DETAIL (DOOR CLOSED)
 ARCH REF: 1'-0"=1'-0"



② DOOR JAMB DETAIL (DOOR CLOSED)
 ARCH REF: 1'-0"=1'-0"



③ DOOR JAMB DETAIL (DOOR OPEN)
 ARCH REF: 1'-0"=1'-0"



④ DOOR JAMB DETAIL (DOOR OPEN)
 ARCH REF: 1'-0"=1'-0"

Revisions By:



C.R. LAURENCE CO. ARCHITECTURAL PRODUCTS
 2503 E. Vernon Avenue, Los Angeles, CA 90058-1897
 PH: (800)-421-6144 FX: 800-587-7301 www.crlaurence.com

Description:
 CRL LAGUNA OFFICE
 PARTITION SYSTEM

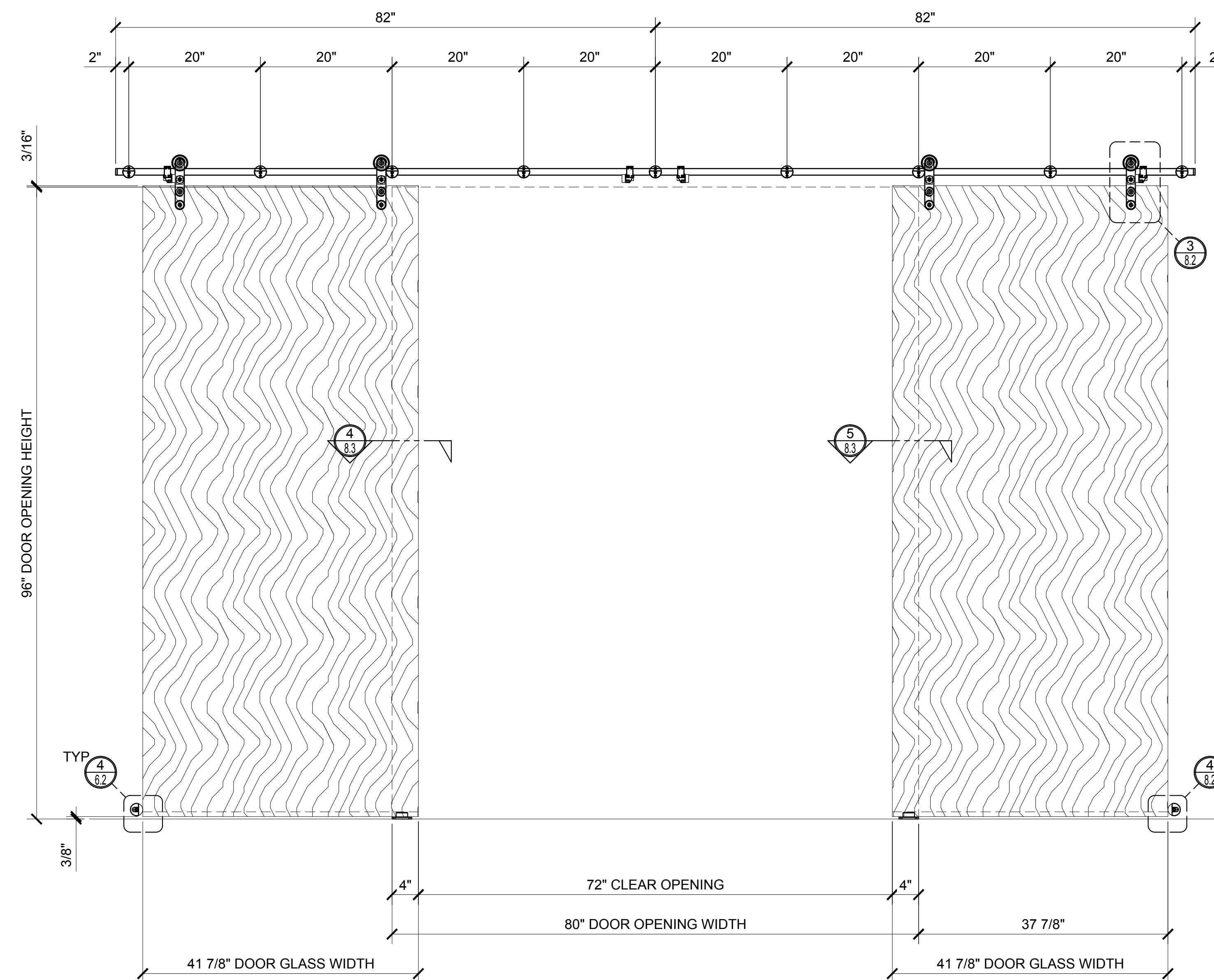
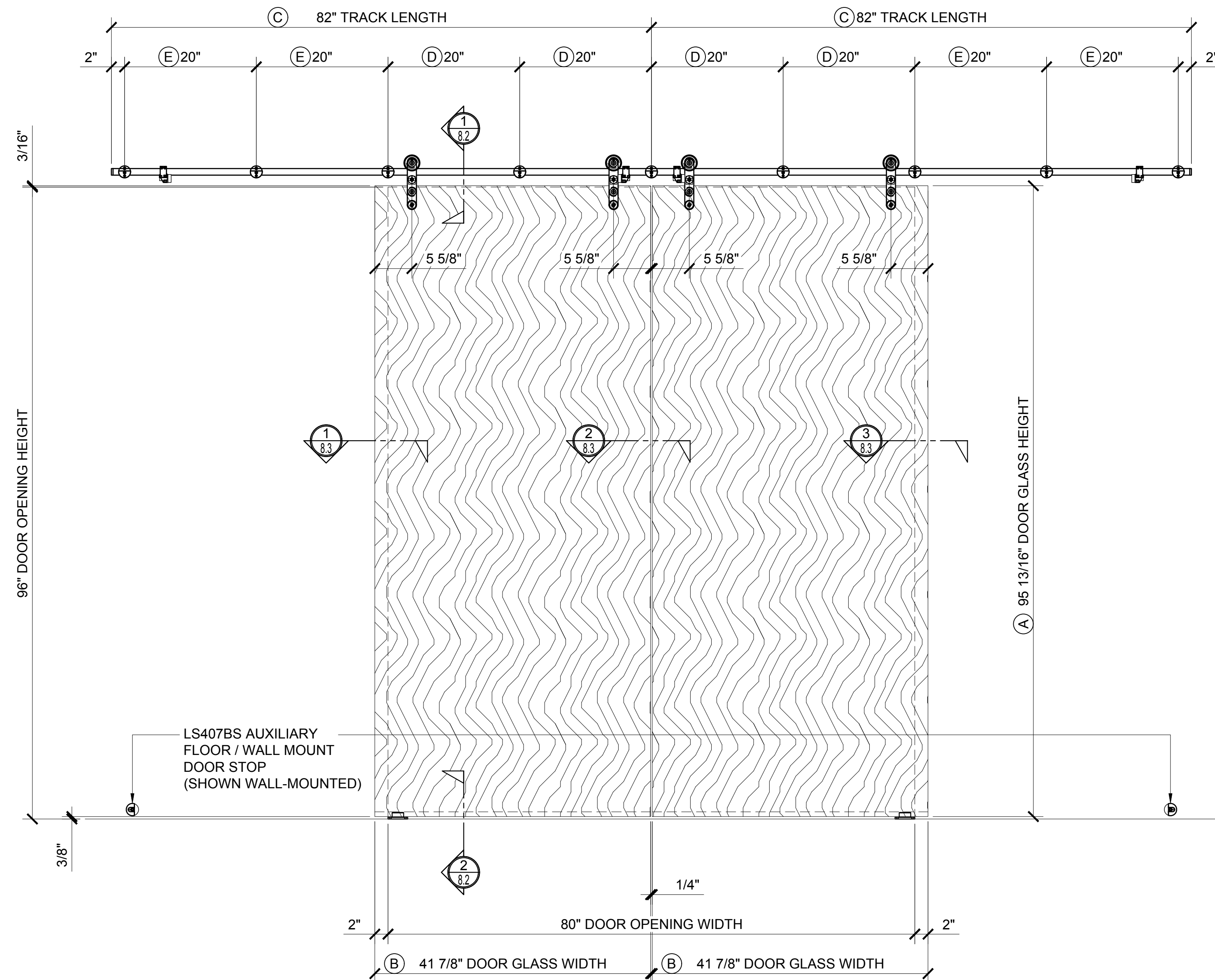
Drawn By: AAD
 Date: 3/3/16
 Scale: AS NOTED
 File Name:
 0-CRL Laguna Office Partition System.dwg
 Sheet



DOOR SYSTEM LIMITATIONS
 MAXIMUM DOOR WEIGHT: 220 lbs. (100 kg)
 MAXIMUM PANEL WIDTH: 53 1/2" (1.36m)
 MAXIMUM PANEL HEIGHT: 98 7/16" (2.50m)
 MAXIMUM TRACK LENGTH: 104" (2.64m)

- * ANTI-LIFT FEATURE FOR ADDED SAFETY
- * ALL 316 ALLOY BRUSHED STAINLESS STEEL CONSTRUCTION
- * IDEAL FOR INTERIOR APPLICATIONS
- * FOR USE WITH 1 3/4" (44mm) WOOD DOOR

CRL LSWM4BS / LSWMADT LAGUNA SERIES WALL MOUNT BI-PARTING SLIDER



- (A) D.O.H. - 3/16"
- (B) (D.O.W. / 2) + 1 7/8"
- (C) D.O.W. + 2"
- (D) D.O.W. / 4
- (E) D.O.W. / 4

① LAGUNA SERIES DOOR (CLOSED)

ARCH REF: NONE

1"=1'-0"

D.O.H. = DOOR OPENING HEIGHT
 D.O.W. = DOOR OPENING WIDTH

② LAGUNA SERIES DOOR (OPEN)

ARCH REF: NONE

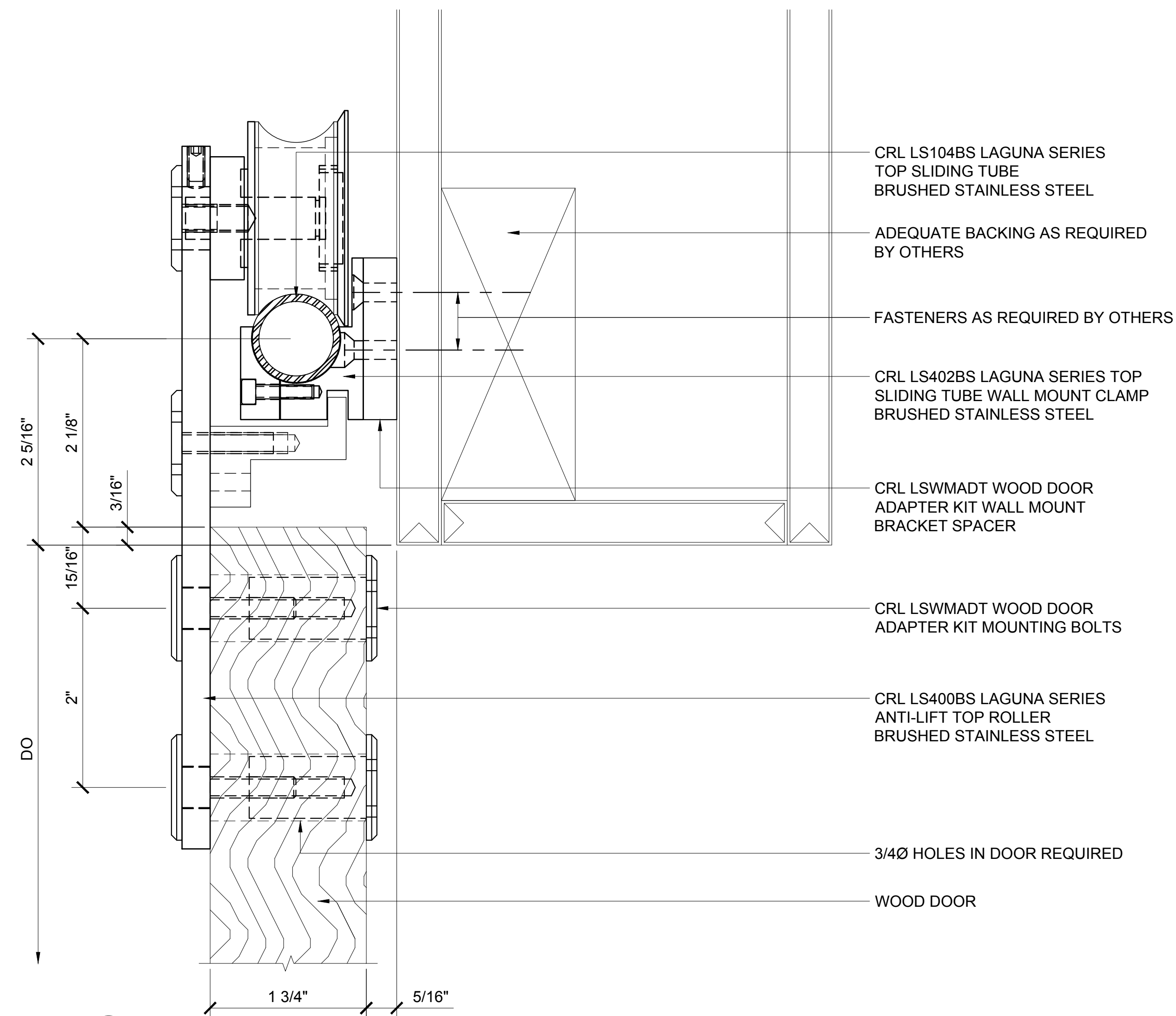
1"=1'-0"

Revisions By:



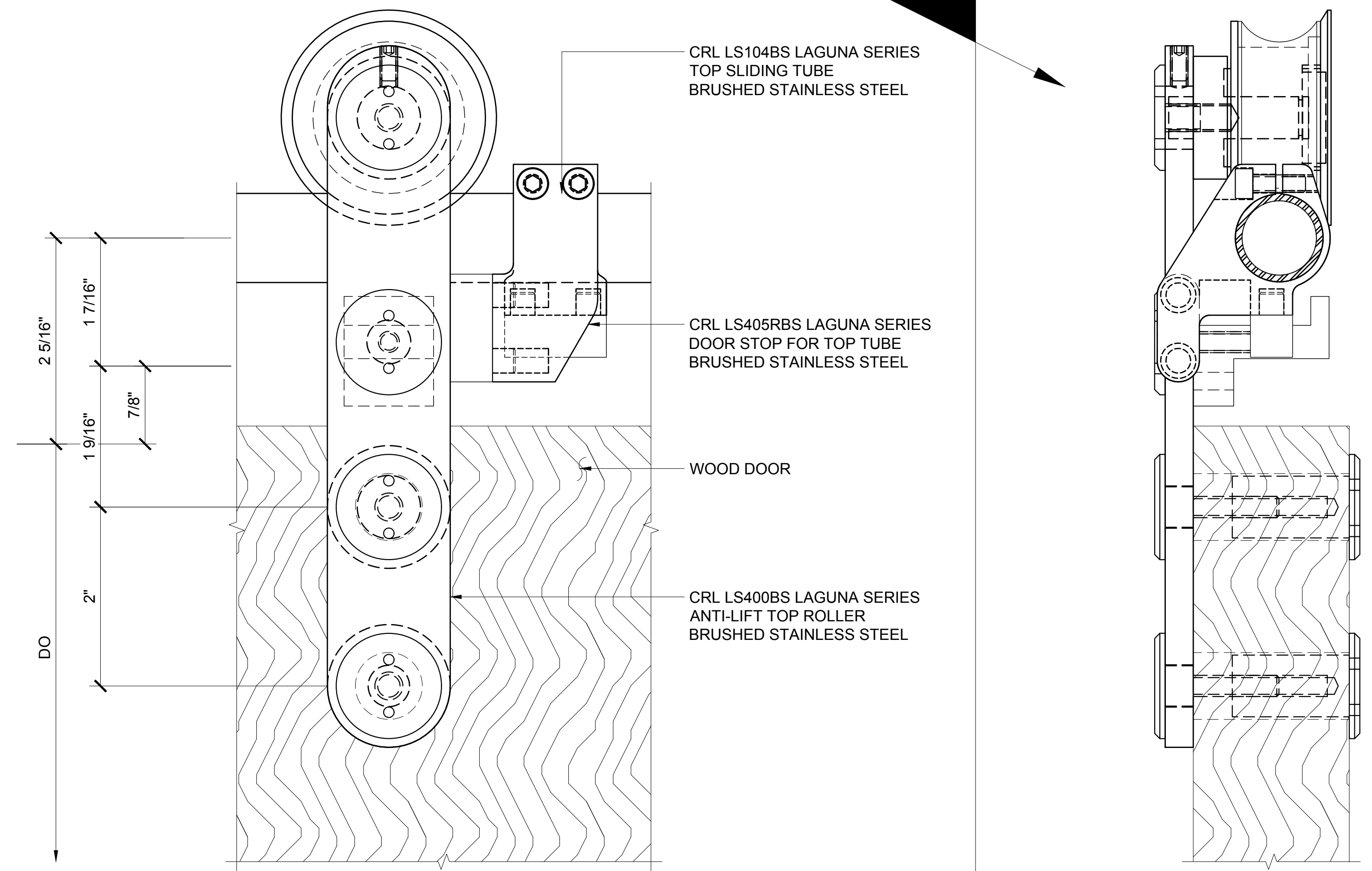
Discription:
 CRL LAGUNA OFFICE
 PARTITION SYSTEM

Drawn By: AAD
 Date: 3/3/16
 Scale: AS NOTED
 File Name:
 0-CRL Laguna Office Partition System.dwg
 Sheet



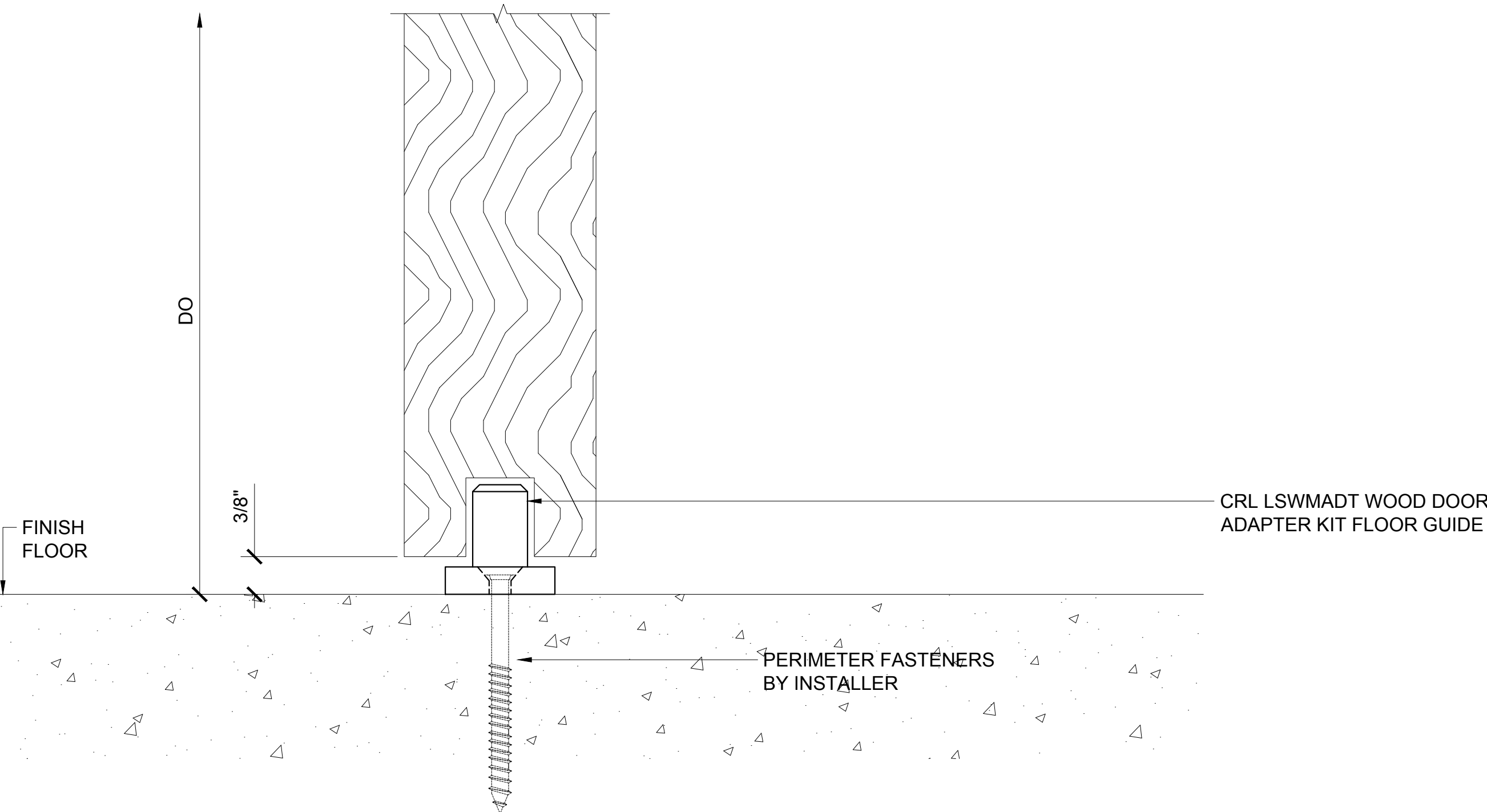
① SIDELITE HEAD DETAIL

ARCH REF: 1'-0"=1'-0"



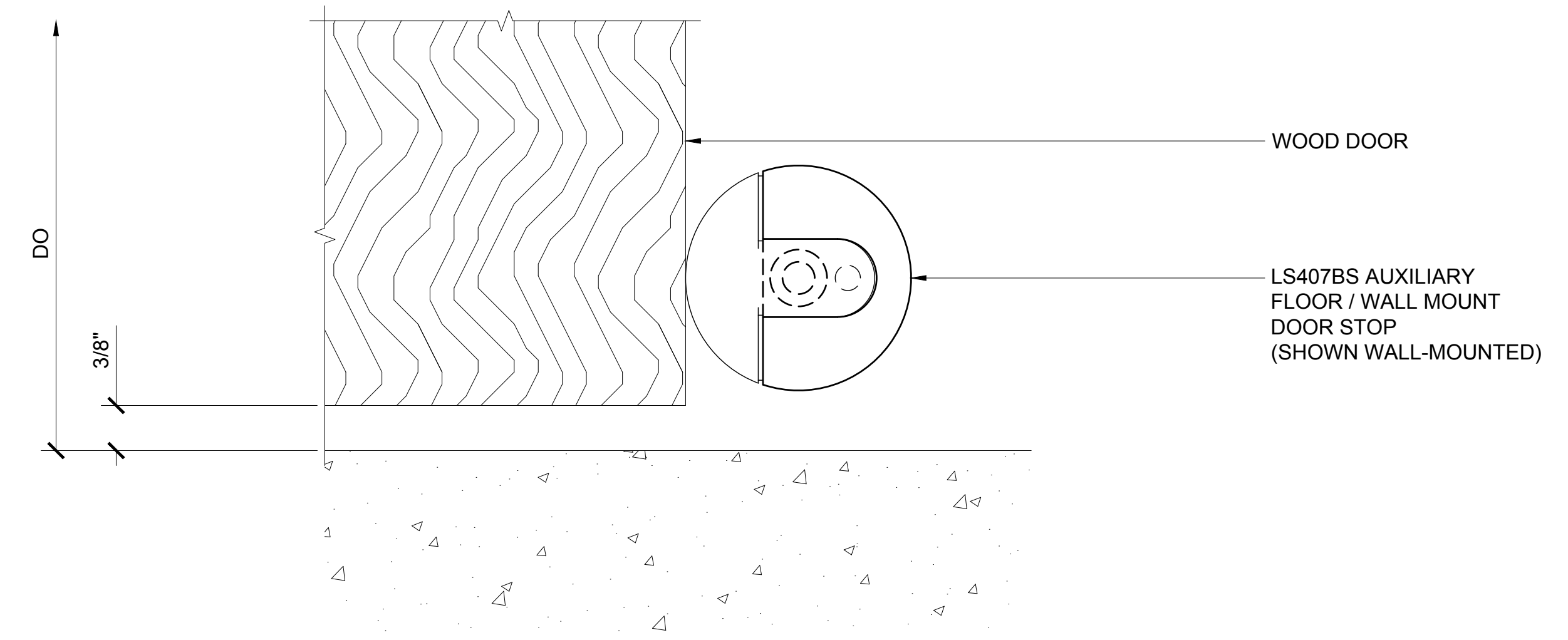
③ TOP BUMPER DETAIL

ARCH REF: 1'-0"=1'-0"



② SIDELITE SILL DETAIL

ARCH REF: 1'-0"=1'-0"

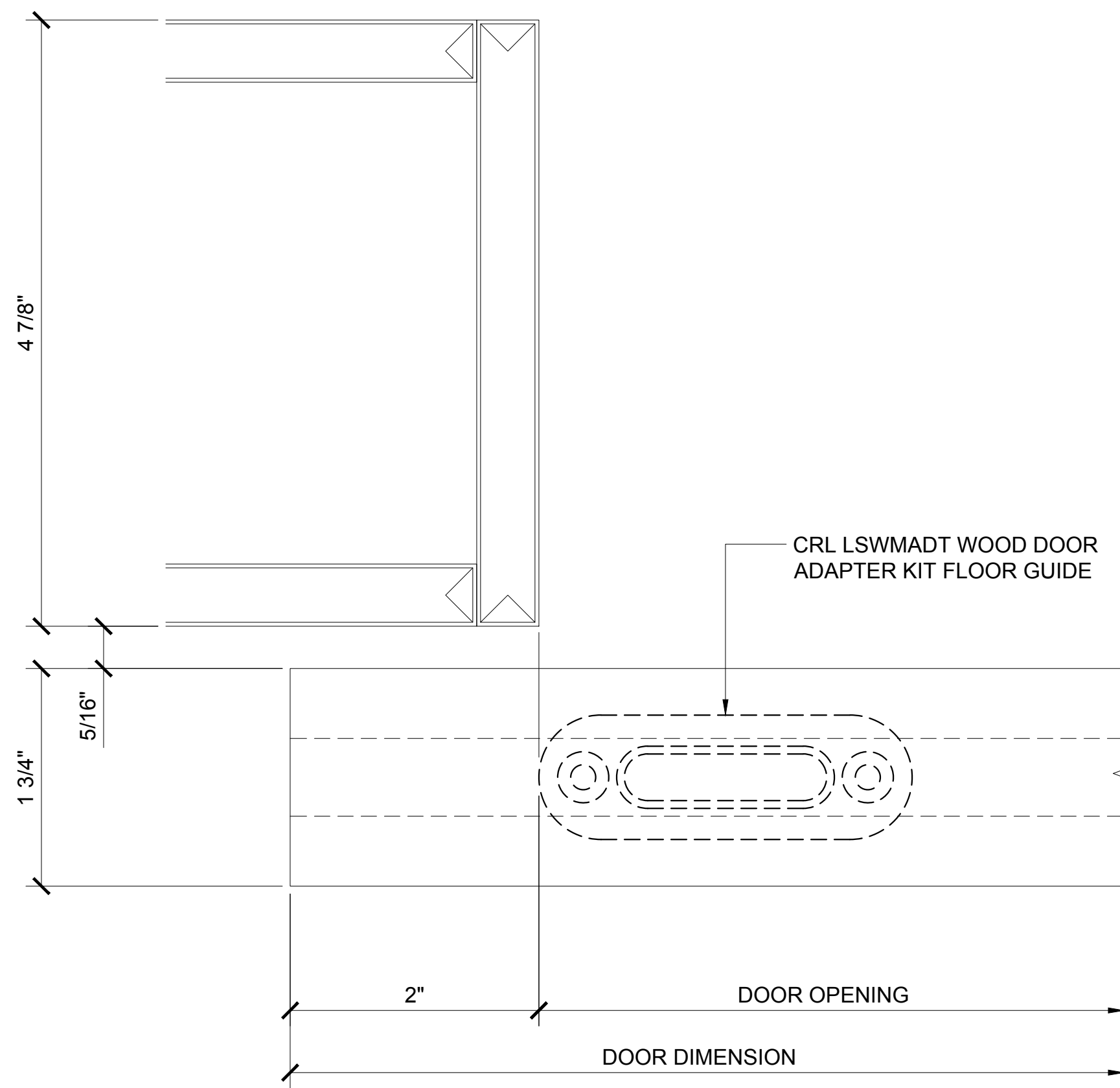


④ BOTTOM BUMPER DETAIL

ARCH REF: 1'-0"=1'-0"

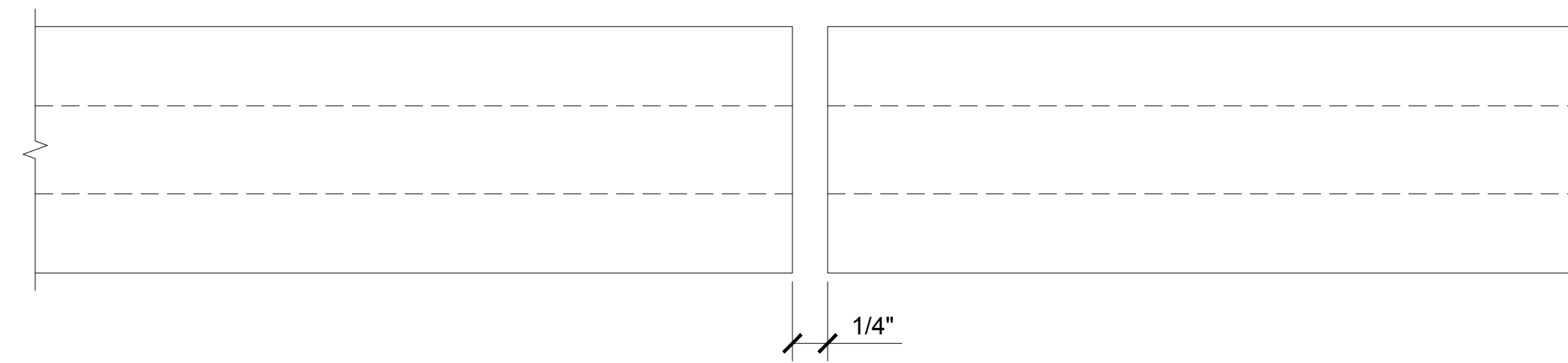
Discription:
 CRL LAGUNA OFFICE
 PARTITION SYSTEM

Drawn By: AAD
 Date: 3/3/16
 Scale: AS NOTED
 File Name:
 0-CRL Laguna Office Partition System.dwg
 Sheet



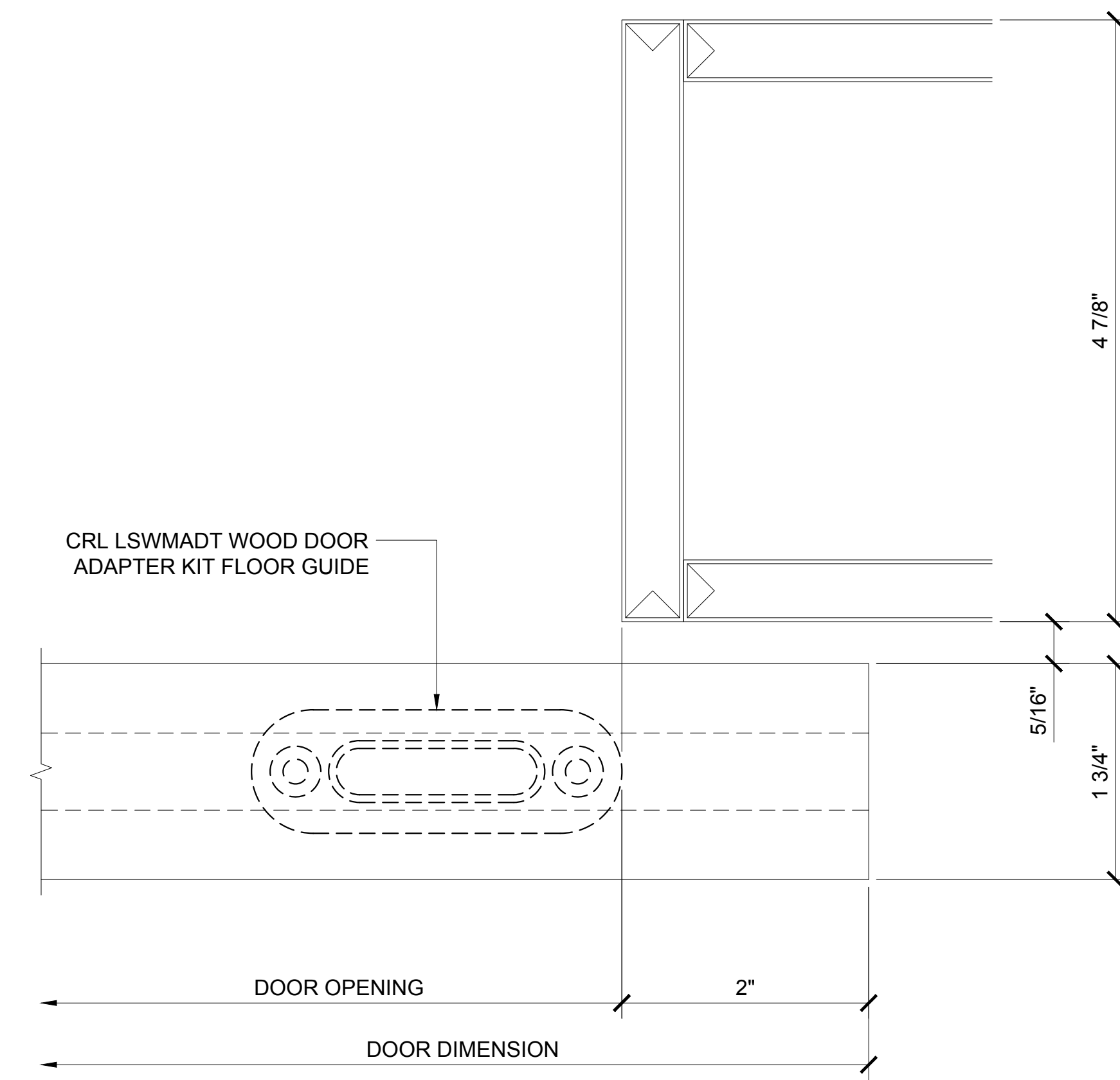
① DOOR JAMB DETAIL (DOOR CLOSED)

ARCH REF: 1'-0"=1'-0"



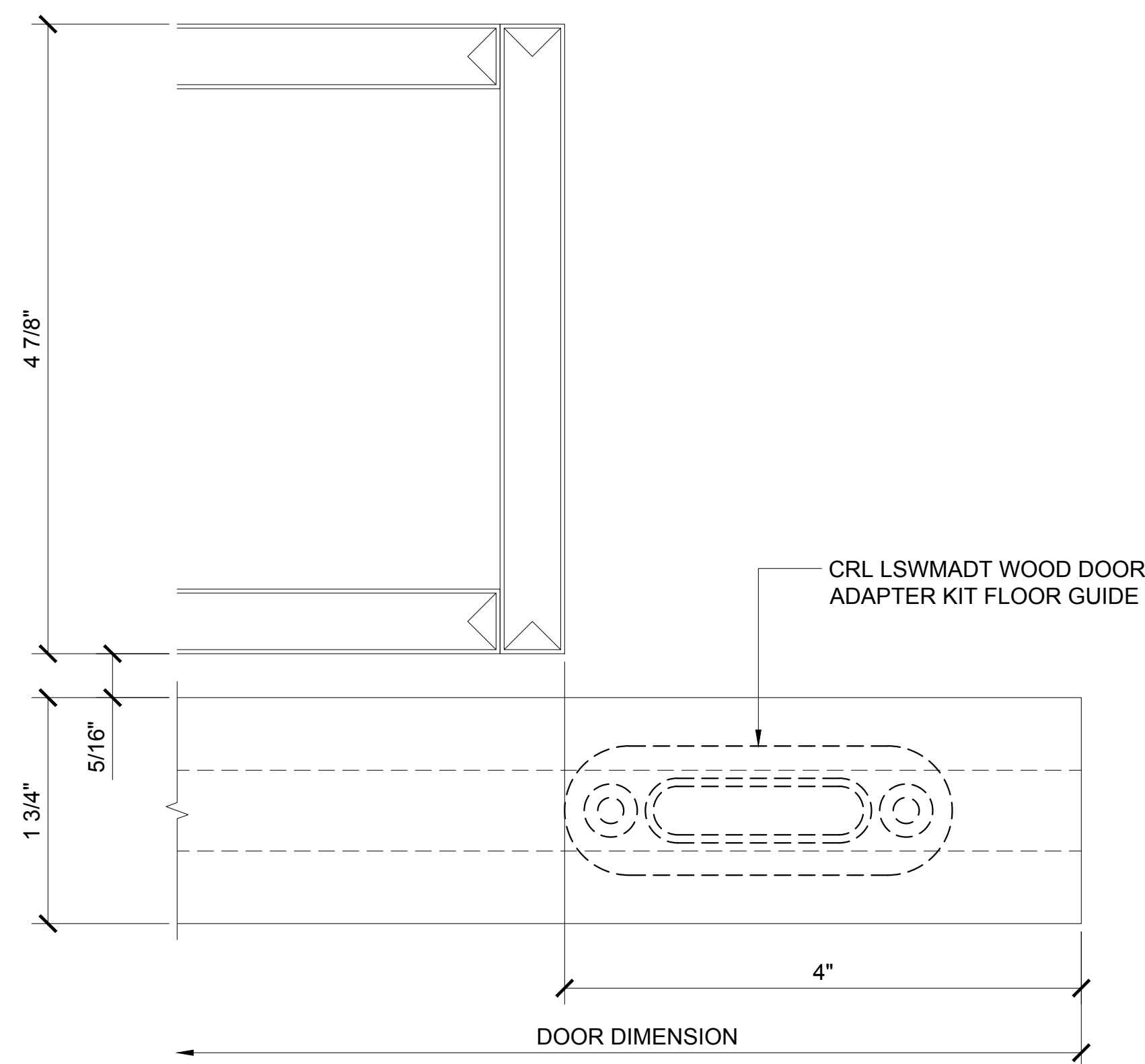
② MEETING STILES DETAIL (DOOR CLOSED)

ARCH REF: 1'-0"=1'-0"



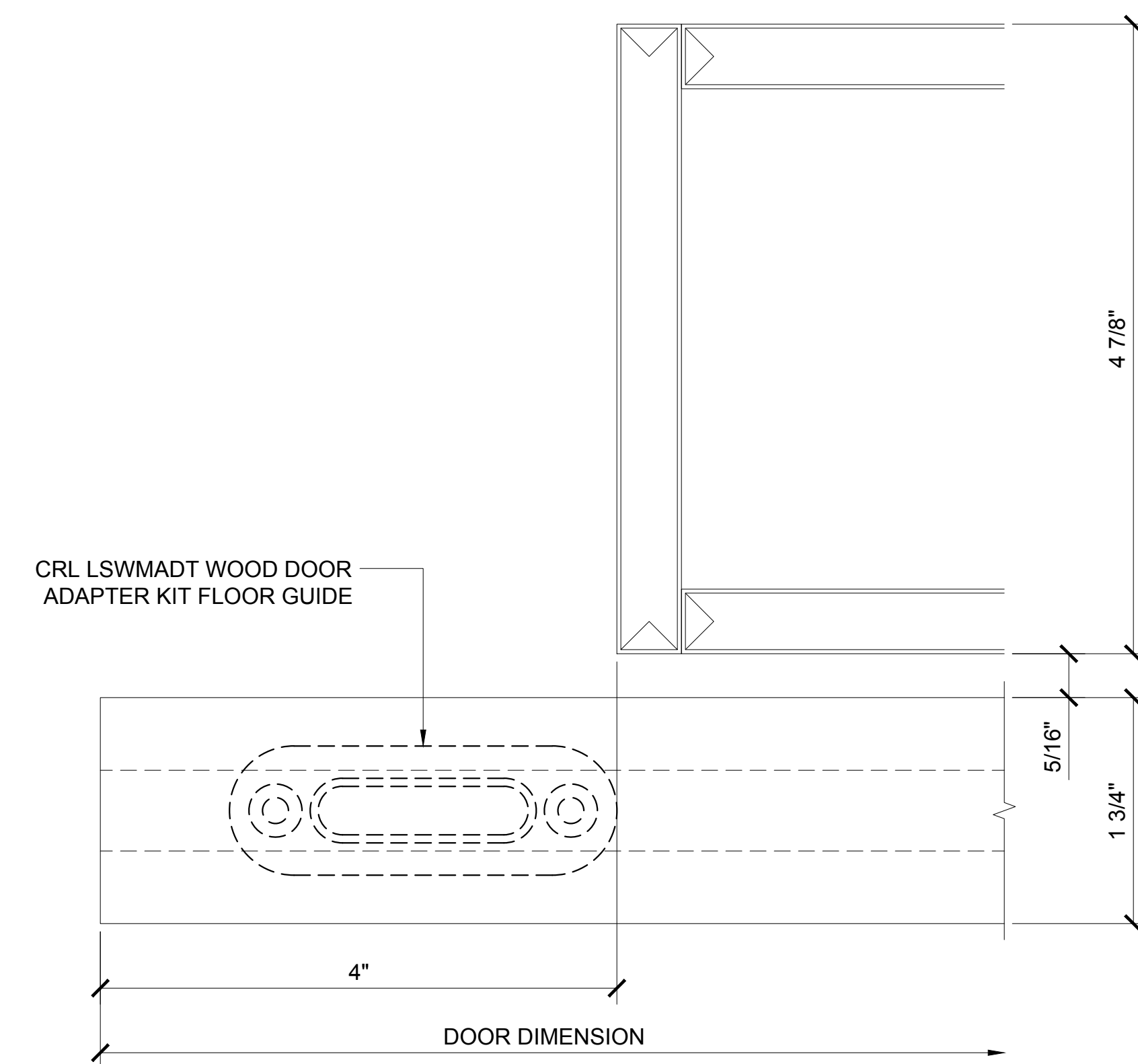
③ DOOR JAMB DETAIL (DOOR CLOSED)

ARCH REF: 1'-0"=1'-0"



④ DOOR JAMB DETAIL (DOOR OPEN)

ARCH REF: 1'-0"=1'-0"



⑤ DOOR JAMB DETAIL (DOOR OPEN)

ARCH REF: 1'-0"=1'-0"

Revisions By:



Description:
CRL LAGUNA OFFICE
PARTITION SYSTEM

Drawn By: AAD
Date: 3/3/16
Scale: AS NOTED
File Name:
0-CRL Laguna Office Partition System.dwg
Sheet