

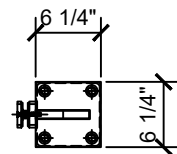
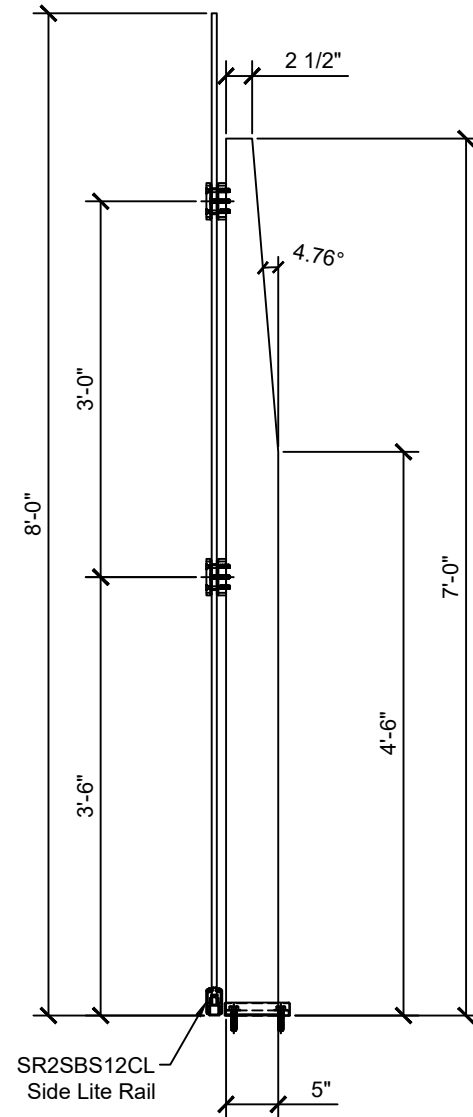
STRUCTURAL DISCLAIMER:

ALL CUSTOMERS WHO IN ANY WAY UTILIZE THIS PRODUCT ARE SOLELY RESPONSIBLE TO CONSULT A STRUCTURAL ENGINEER TO DETERMINE THE SUITABILITY OF THE PRODUCT FOR THE INTENDED USE AND SITE CONDITIONS. ALL INSTALLERS MUST BE QUALIFIED AND HAVE PROFESSIONAL KNOWLEDGE ABOUT COMPLIANCE WITH LOCAL, STATE AND FEDERAL REGULATIONS, SAFETY FACTORS, AND THE APPROPRIATE CHOICE OF FIXING MATERIAL AND PROCEDURES.

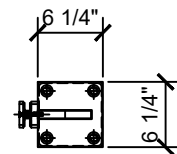
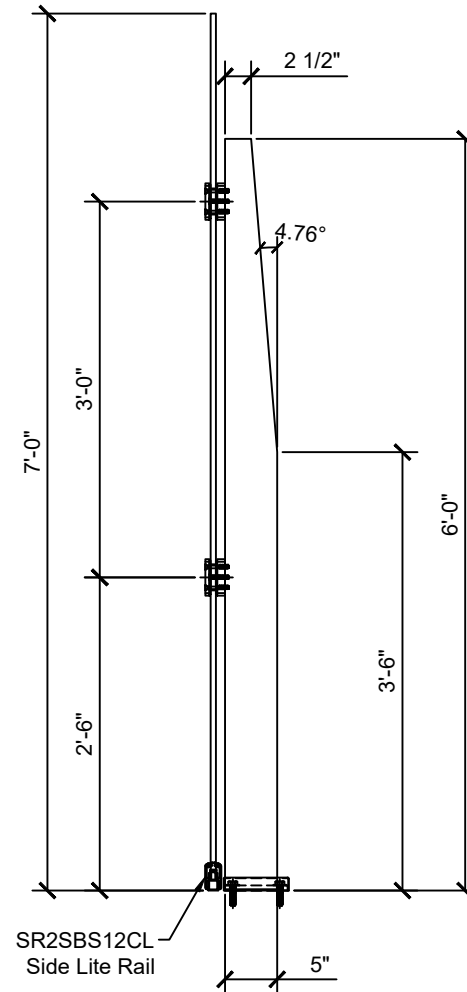
ADDITIONAL SYSTEM NOTES:

STANDARD SYSTEM DESIGNED FOR 1/2" TH. MONOLITHIC & 9/16" TH. LAMINATED GLASS PANELS.

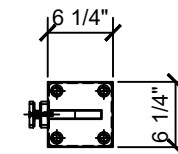
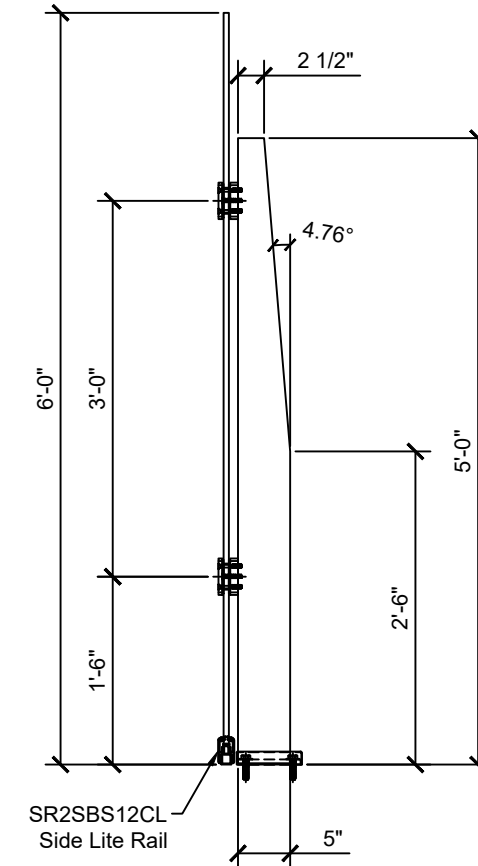
CONSULT WITH CRL ENGINEERING WHEN CHANGING STANDARD GLASS THICKNESS OR CUSTOMIZING



1 KP0STBS - 3/4" TH. BRUSHED SS POST (84" TALL)
 K84CKBS - Center Post BS Finish 84" Tall Kit
 K84REKBS - Right End Post BS Finish 84" Tall Kit
 K84LEKBS - Left End Post BS Finish 84" Tall Kit
 Scale: 1 1/2" = 1'-0"



2 KP0STBS - 3/4" TH. BRUSHED SS POST (72" TALL)
 K72CKBS - Center Post BS Finish 72" Tall Kit
 K72REKBS - Right End Post BS Finish 72" Tall Kit
 K72LEKBS - Left End Post BS Finish 72" Tall Kit
 Scale: 1 1/2" = 1'-0"



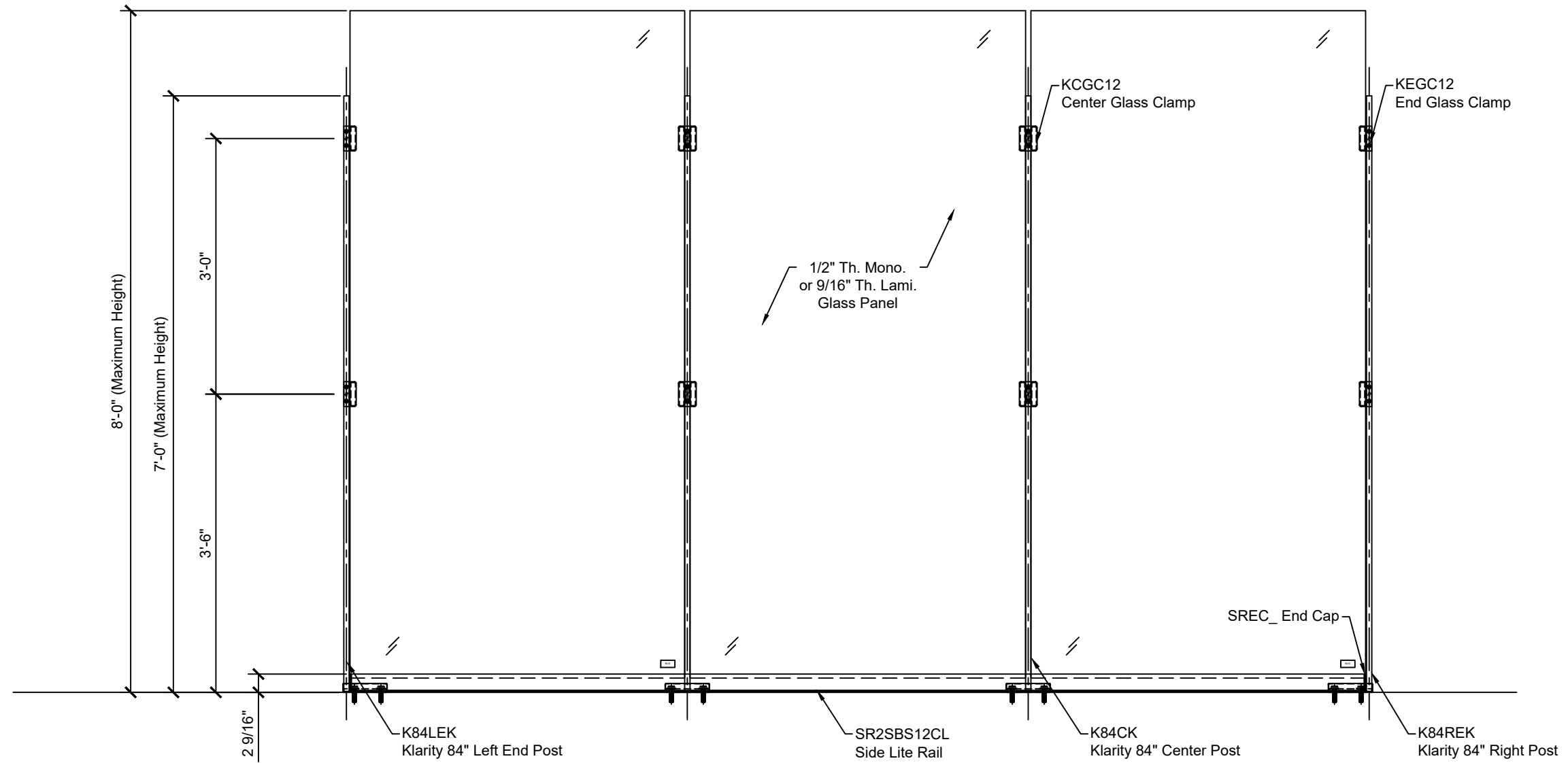
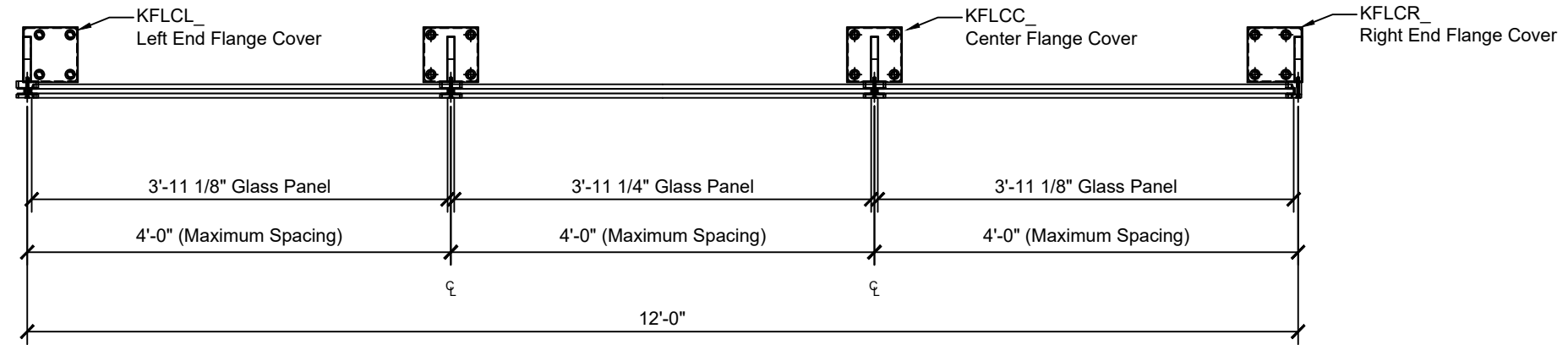
3 KP0STBS - 3/4" TH. BRUSHED SS POST (60" TALL)
 K60CKBS - Center Post BS Finish 60" Tall Kit
 K60REKBS - Right End Post BS Finish 60" Tall Kit
 K60LEKBS - Left End Post BS Finish 60" Tall Kit
 Scale: 1 1/2" = 1'-0"

Revisions By:

CRL
 A CRH COMPANY
 2503 E. Vernon Avenue, Los Angeles, CA 90058-1897
 PH: (800)-421-8144 FX: 800-587-7501 www.crlaurence.com

Description:
 SYS0125A KLARITY OFFICE
 PARTITION SYSTEMS

Drawn By:JO
 Date: 03/10/2021
 Scale: AS NOTED
 File Name:
 SYS0125A KLARITY OFFICE PARTITION
 Sheet



1 KLARITY INTERIOR POST PARTITION
Scale: 1 1/2" = 1'-0"

Revisions By:

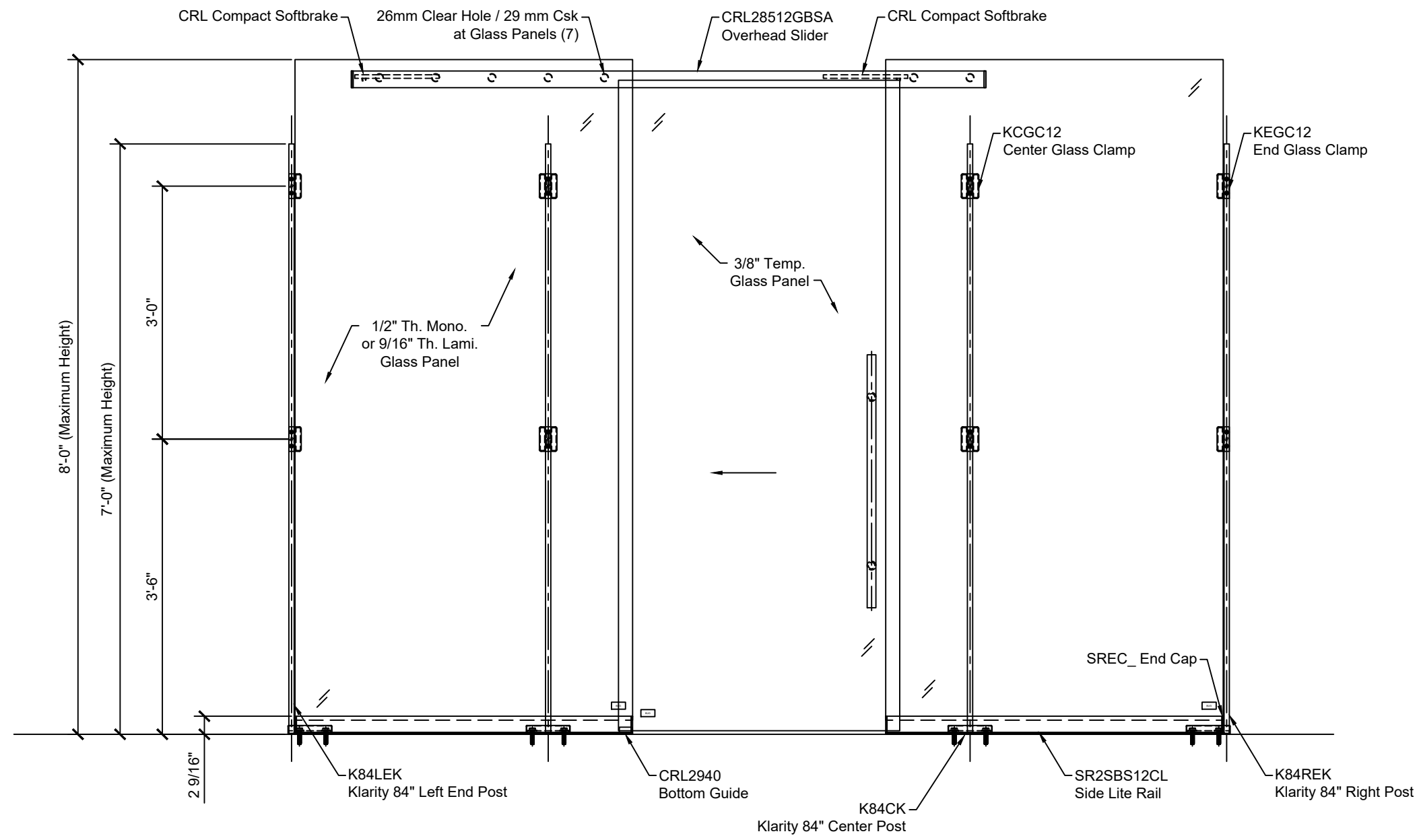
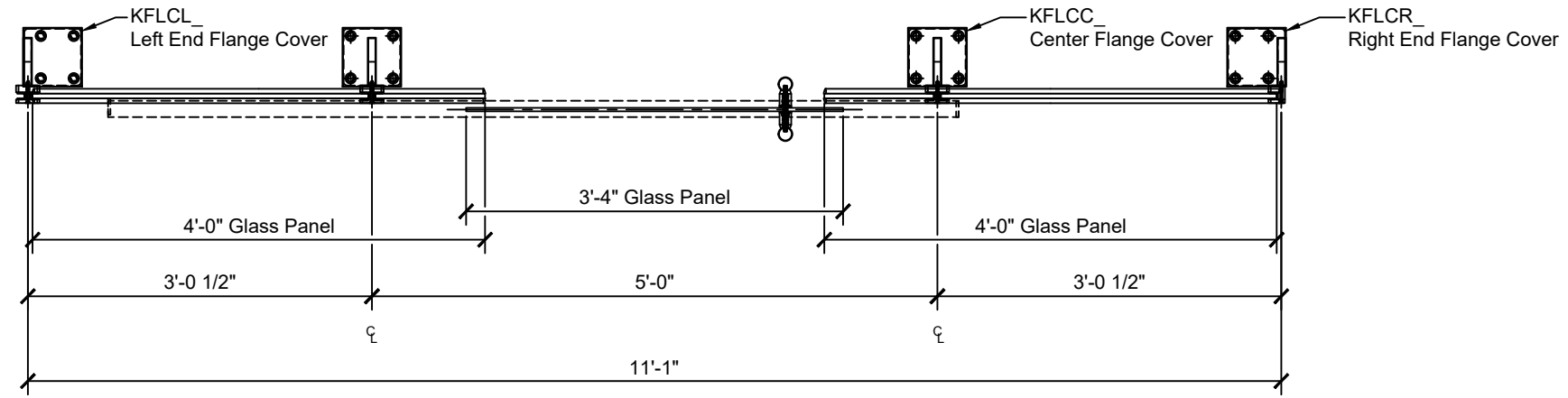
CRL
 A CRH COMPANY
 2503 E. Vernon Avenue, Los Angeles, CA 90058-1897
 PH: (800)-421-8144 FX: 800-587-7501 www.crlaurence.com

Description:
 SYS0125A KLARITY OFFICE
 PARTITION SYSTEMS

Drawn By: J0
 Date: 03/10/2021
 Scale: AS NOTED
 File Name:
 SYS0125A KLARITY OFFICE PARTITION

Sheet

2



1 KLARITY INTERIOR POST PARTITION W/ SLIDING DOOR
Scale: 1 1/2" = 1'-0"

Revisions By:

CRL
A CRH COMPANY

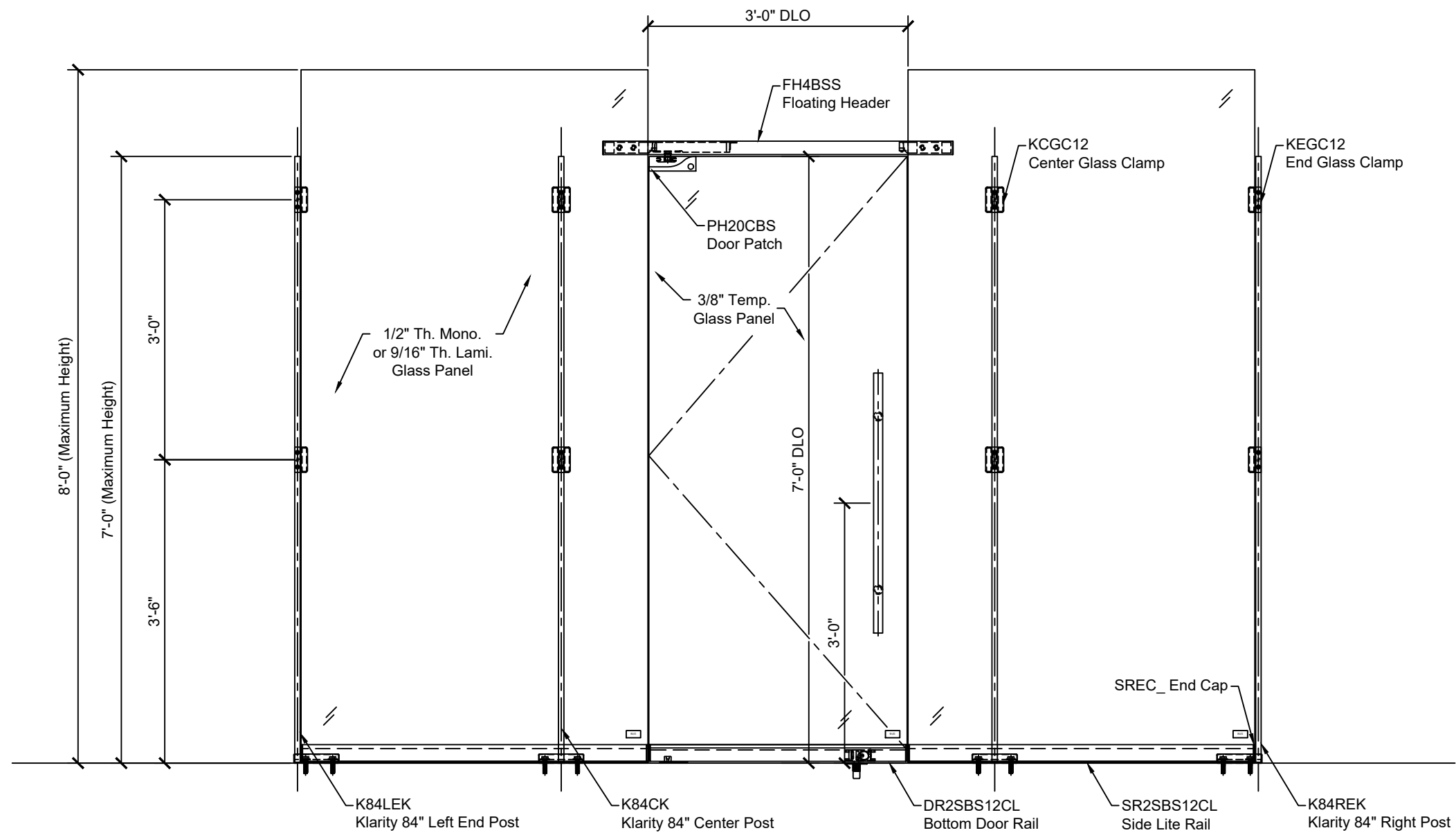
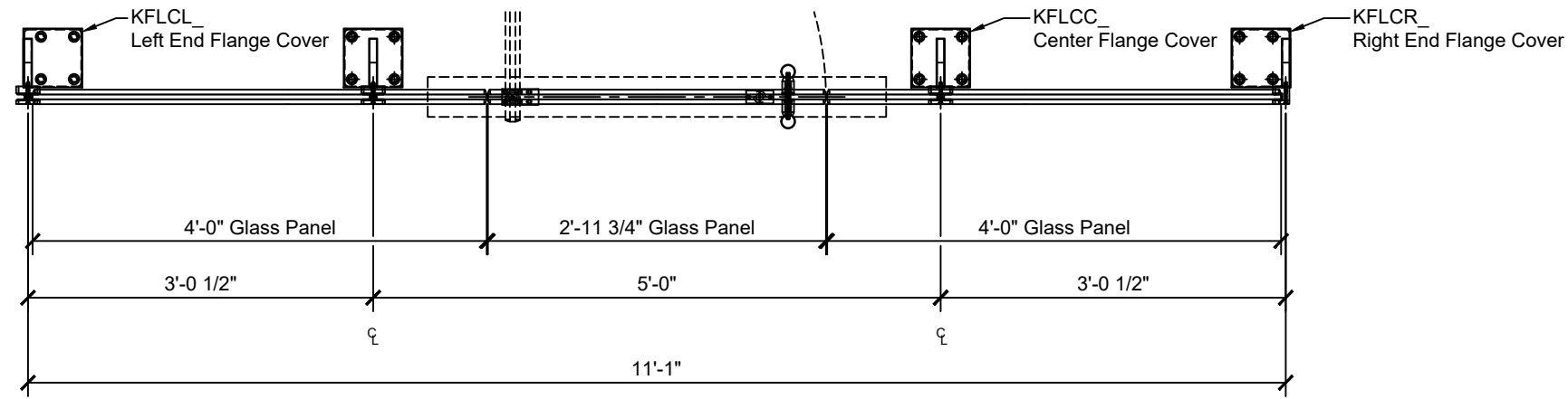
2503 E. Vernon Avenue, Los Angeles, CA 90058-1897
PH: (800)-421-8144 FX: 800-587-7501 www.crlaurens.com

Description:
SYS0125A KLARITY OFFICE
PARTITION SYSTEMS

Drawn By: JDO
Date: 03/10/2021
Scale: AS NOTED
File Name:
SYS0125A KLARITY OFFICE PARTITION

Sheet

3



1 KLARITY INTERIOR POST PARTITION W/ OPTIONAL SWING DOOR

Scale: 1 1/2" = 1'-0"

Revisions By:

CRL
A CRH COMPANY

2503 E. Vernon Avenue, Los Angeles, CA 90058-1897
PH: (800)-421-8144 FX: 800-587-7501 www.crlaurence.com

Description:
SYS0125A KLARITY OFFICE
PARTITION SYSTEMS

Drawn By:JO

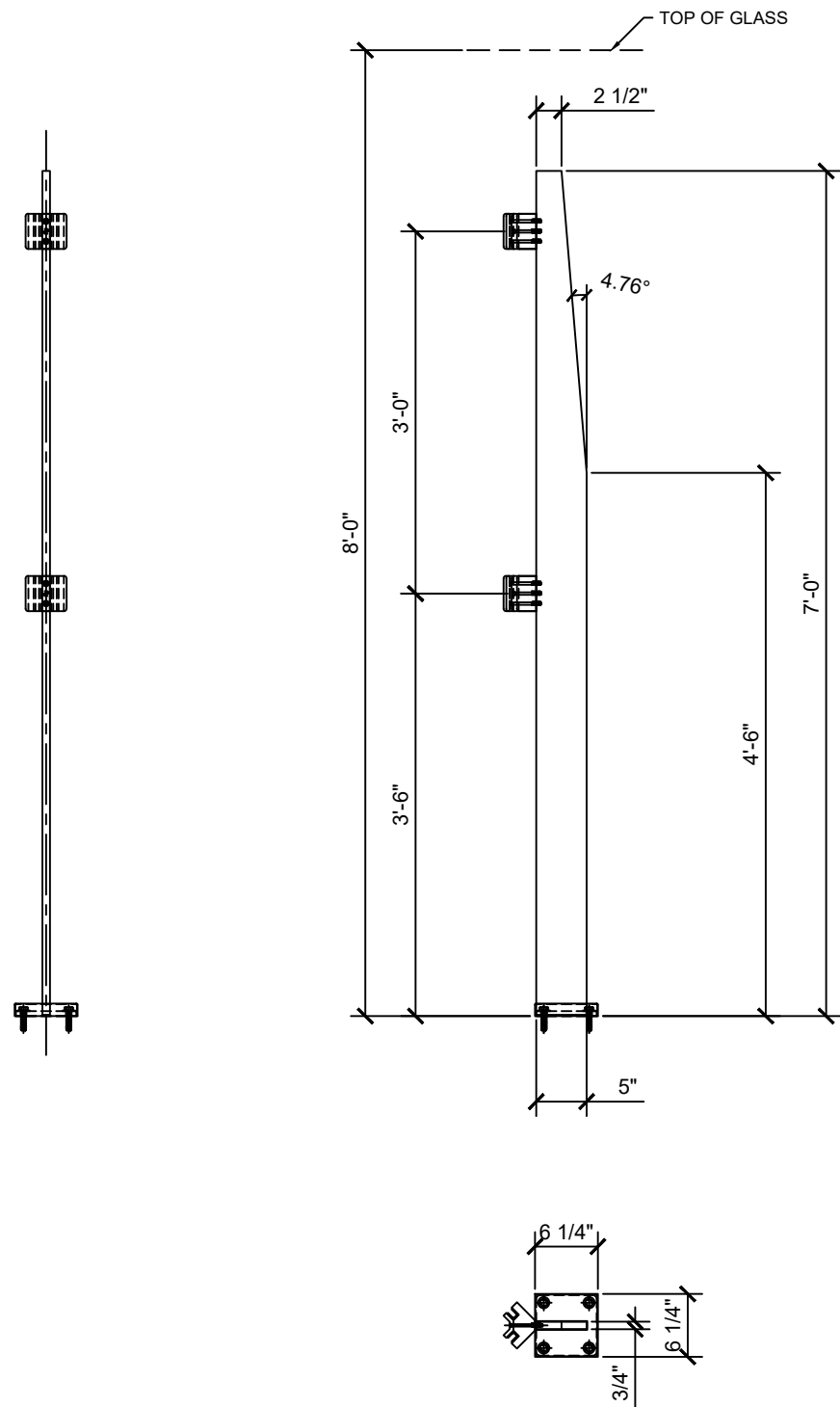
Date: 03/10/2021

Scale: AS NOTED

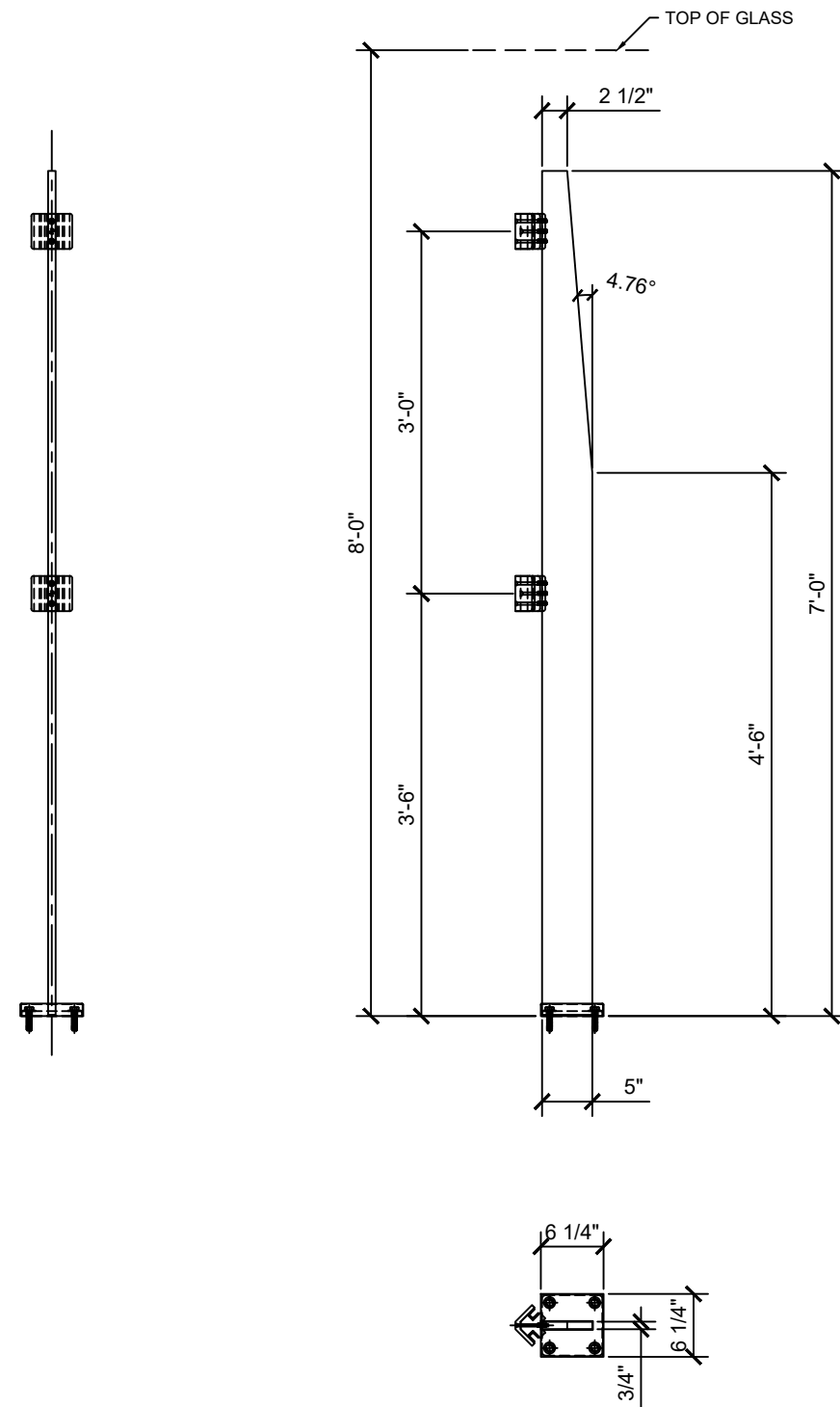
File Name:

SYS0125A KLARITY OFFICE PARTITION

Sheet



1 KLARITY INTERIOR PARTITION - INSIDE CORNER POST
 KCRKBSC - Custom Corner Post BS Finish
 Scale: 1 1/2" = 1'-0"



2 KLARITY INTERIOR PARTITION - OUTSIDE CORNER POST
 KCRKBSC - Custom Corner Post BS Finish
 Scale: 1 1/2" = 1'-0"

Revisions By:

CRL
 A CRH COMPANY

2503 E. Vernon Avenue, Los Angeles, CA 90058-1897
 PH: (800)-421-8144 FX: 800-587-7501 www.crlaurea.com

Description:
 SYS0125A KLARITY OFFICE
 PARTITION SYSTEMS

Drawn By:JO

Date: 03/10/2021

Scale: AS NOTED

File Name:

SYS0125A KLARITY OFFICE PARTITION

Sheet