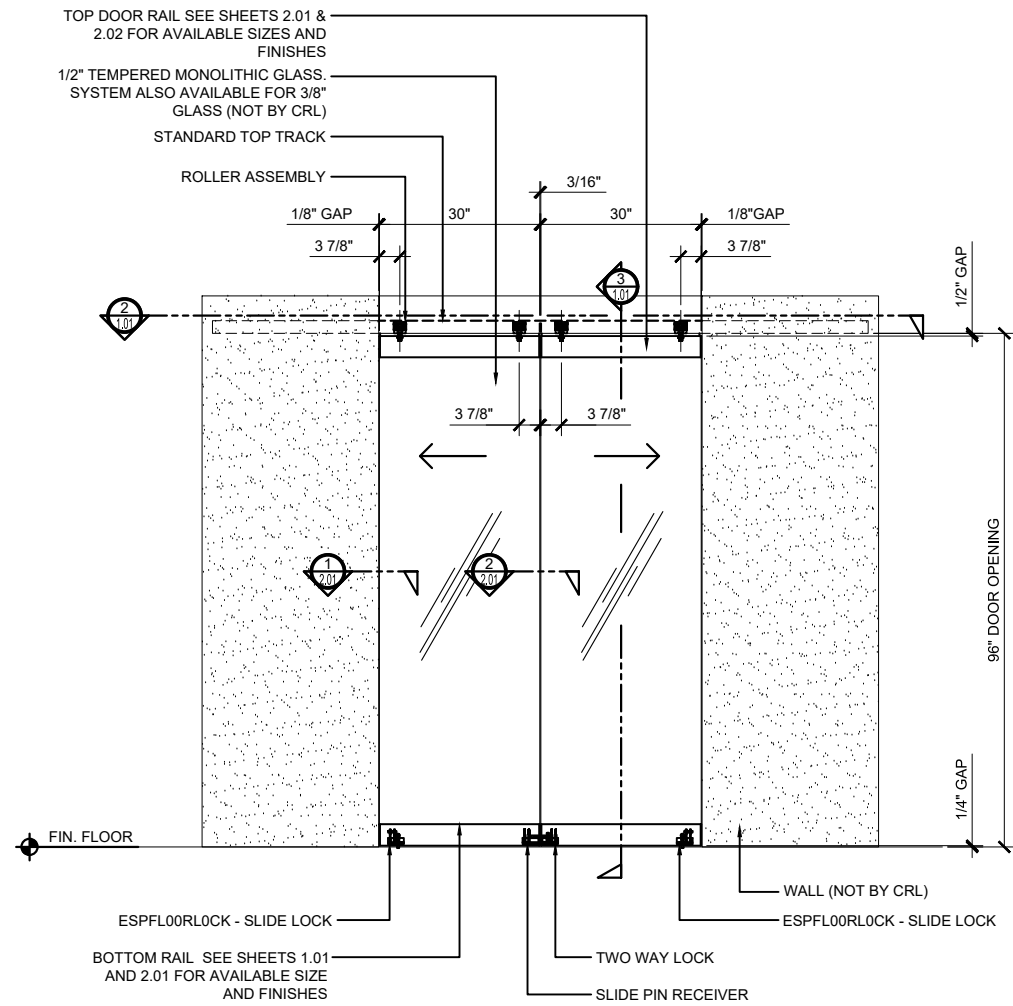


CRL SPS SERIES - STACKING PARTITION SYSTEM

EASY SLIDE - TWO SLIDING PANELS

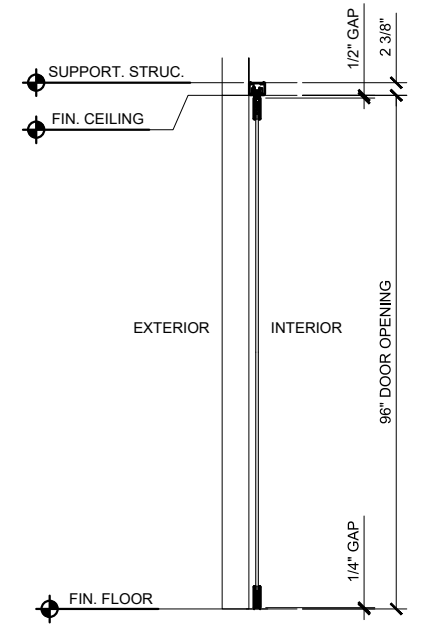
STANDARD SLIDING PANEL/DOOR (HEIGHT) GUIDELINES	
3/8" (10mm) TEMPERED GLASS = 108" RECOMMENDED MAX HEIGHT	
1/2" (12mm) TEMPERED GLASS = 108" RECOMMENDED MAX HEIGHT	
STANDARD SLIDING PANEL (WIDTH) GUIDELINES	
3/8" (10mm) TEMPERED GLASS = 21-1/4" RECOMMENDED MIN WIDTH	
1/2" (12mm) TEMPERED GLASS = 42" RECOMMENDED MAX WIDTH	
STANDARD PIVOT DOOR (WIDTH) GUIDELINES	
3/8" (10mm) TEMPERED GLASS = 21-1/4" RECOMMENDED MIN WIDTH	
1/2" (12mm) TEMPERED GLASS = 39-3/8" RECOMMENDED MAX WIDTH	

- * AVAILABLE IN THREE HEIGHTS WITH OR WITHOUT LOCK
- * DRY GLAZE SLENDER PROFILE DOOR RAILS ARE ONLY 1" WIDE
- * UNIVERSAL TOP AND BOTTOM RAILS CUT INVENTORY AND MAKE ORDERING EASIER
- * DRY GLAZING ALLOWS FOR FIELD REPLACEMENT
- * BRUSHED OR POLISHED STAINLESS STEEL FINISHES FOR SS CLAD
- * SATIN ANODIZED, DARK BRONZE ANODIZED FINISHES FOR ALUMINUM CLAD



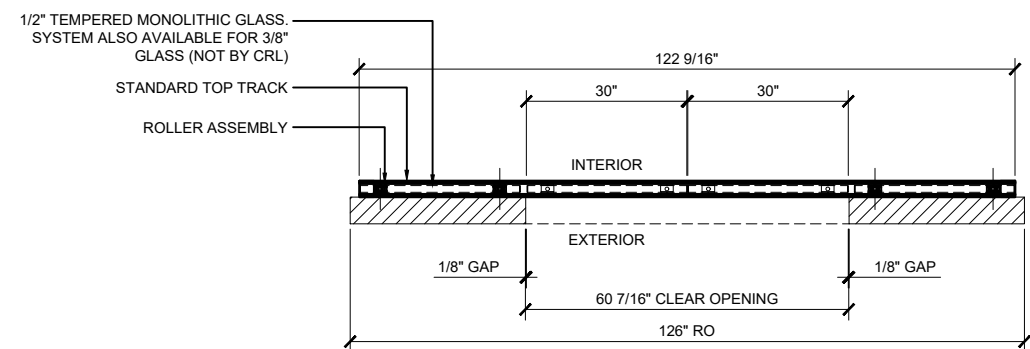
1 ELEVATION VIEW

ARCH REF: NONE 3/4"=1'-0"



3 SECTION VIEW

ARCH REF: NONE 3/4"=1'-0"



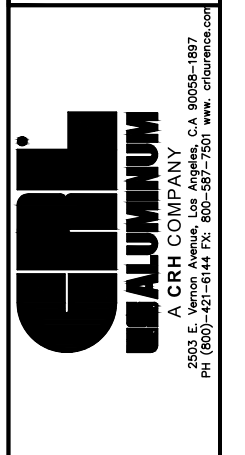
2 FLOOR PLAN

ARCH REF: NONE 3/4"=1'-0"

STRUCTURAL DISCLAIMER:
 ALL CUSTOMERS WHO IN ANY WAY UTILIZE THIS PRODUCT ARE SOLELY RESPONSIBLE TO CONSULT A STRUCTURAL ENGINEER TO DETERMINE THE SUITABILITY OF THE PRODUCT FOR THE INTENDED USE AND SITE CONDITIONS. ALL INSTALLERS MUST BE QUALIFIED AND HAVE PROFESSIONAL KNOWLEDGE ABOUT COMPLIANCE WITH LOCAL, STATE AND FEDERAL REGULATIONS, SAFETY FACTORS, AND THE APPROPRIATE CHOICE OF FIXING MATERIAL AND PROCEDURES.

STANDARD ABBREVIATIONS	
RO	ROUGH OPENING
FD	FRAME DIMENSION
DLO	DAYLIGHT OPENING
CO	CLEAR OPENING
PD	PANEL DIMENSION
DD	DOOR DIMENSION
TL	TRACK LENGTH

Revisions By:

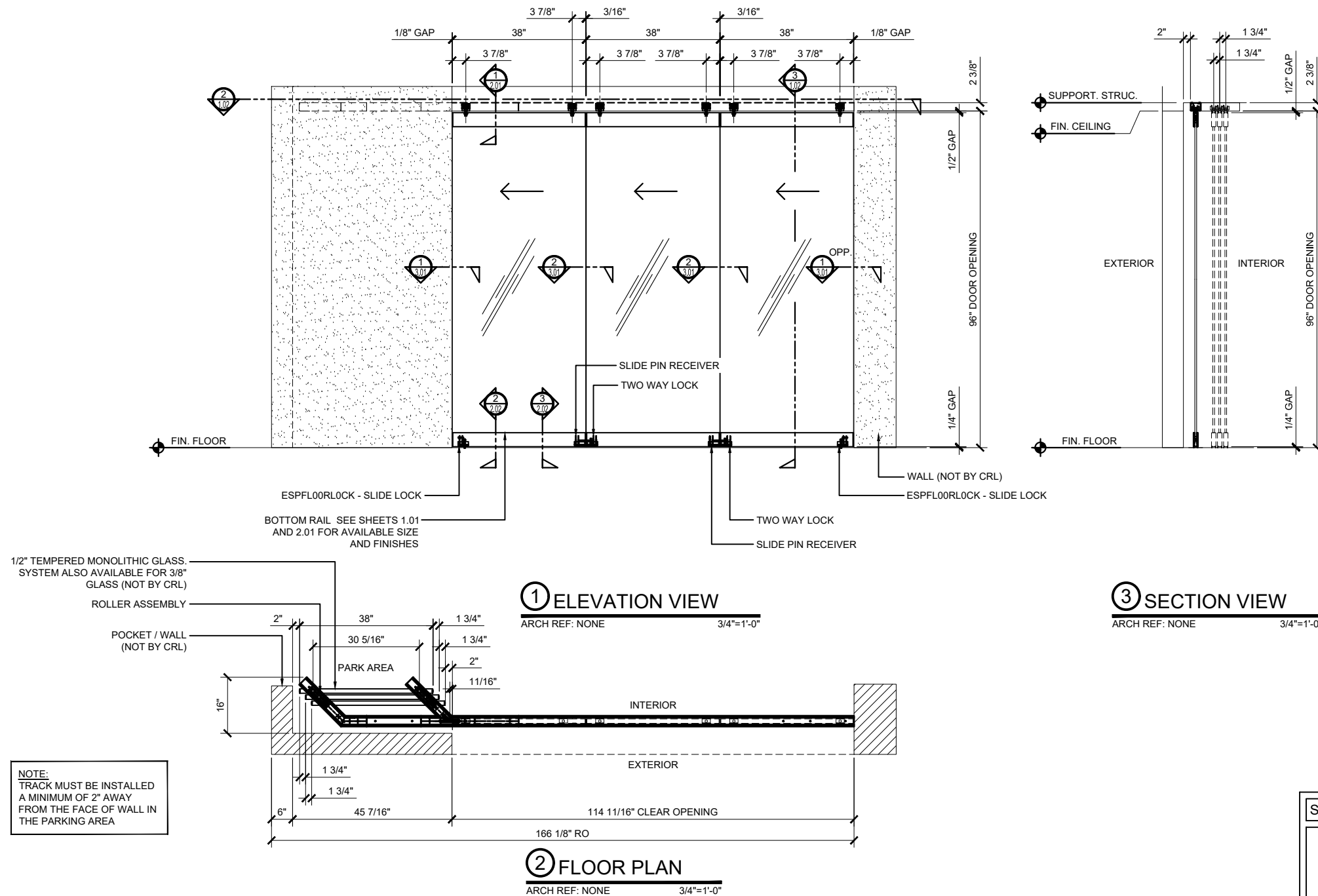


Description:
 CRL SPS STACKING PARTITION SYSTEM EASY SLIDE FOR 1/2" & 3/8" GLASS

Drawn By: TGM
 Date: 01/30/2019
 Scale: AS NOTED
 File Name: SPS_Easy_Slide_Stck_Partns_Sys.dwg

Sheet
1.01

**CRL SPS SERIES - STACKING PARTITION SYSTEM
EASY SLIDE - PARALLEL PARKING CONFIGURATION**



Revisions By:

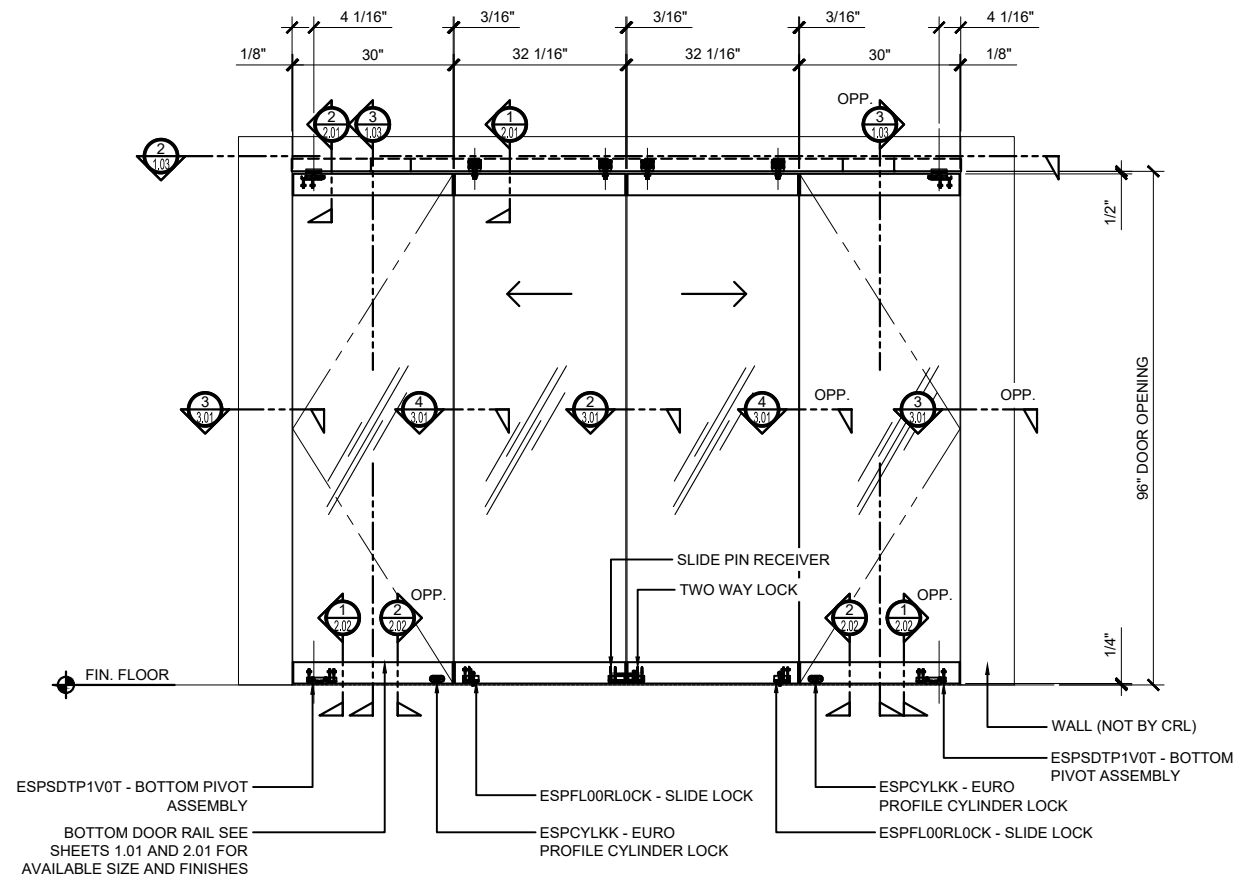


A CRH COMPANY
2653 E. Vernon Avenue, Los Angeles, CA 90058-1987
PH: (800)-421-0144 FX: 800-587-7501 www.crlusa.com

Description:
CRL SPS STACKING
PARTITION SYSTEM
EASY SLIDE
FOR 1/2" & 3/8" GLASS

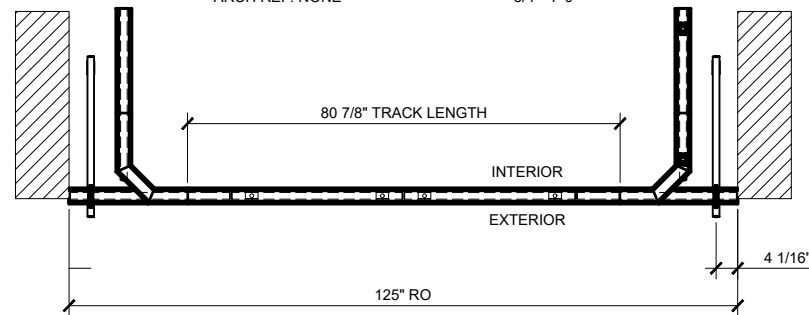
Drawn By: GJM
Date: 01/30/2019
Scale: AS NOTED
File Name: SPS_Easy_Slide_Stck_Partn_Sys.dwg
Sheet

**CRL SPS SERIES - STACKING PARTITION SYSTEM
EASY SLIDE - BI-PARKING PIVOT CONFIGURATION**



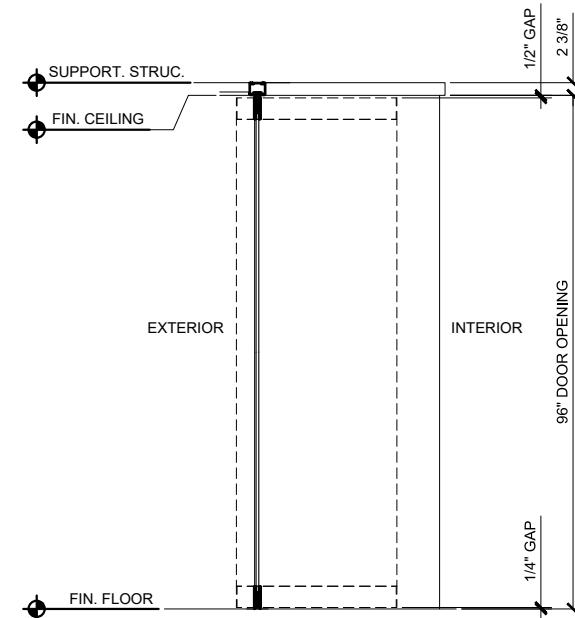
① ELEVATION VIEW

ARCH REF: NONE 3/4"=1'-0"



② FLOOR PLAN

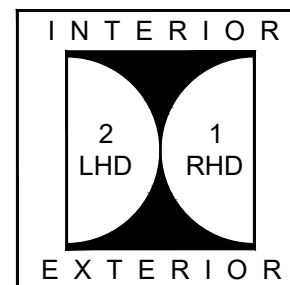
ARCH REF: NONE 3/4"=1'-0"



③ SECTION VIEW

ARCH REF: NONE 3/4"=1'-0"

DOOR SWING CHART



STANDARD ABBREVIATIONS	
RO	ROUGH OPENING
FD	FRAME DIMENSION
DLO	DAYLIGHT OPENING
CO	CLEAR OPENING
PD	PANEL DIMENSION
DD	DOOR DIMENSION
TL	TRACK LENGTH

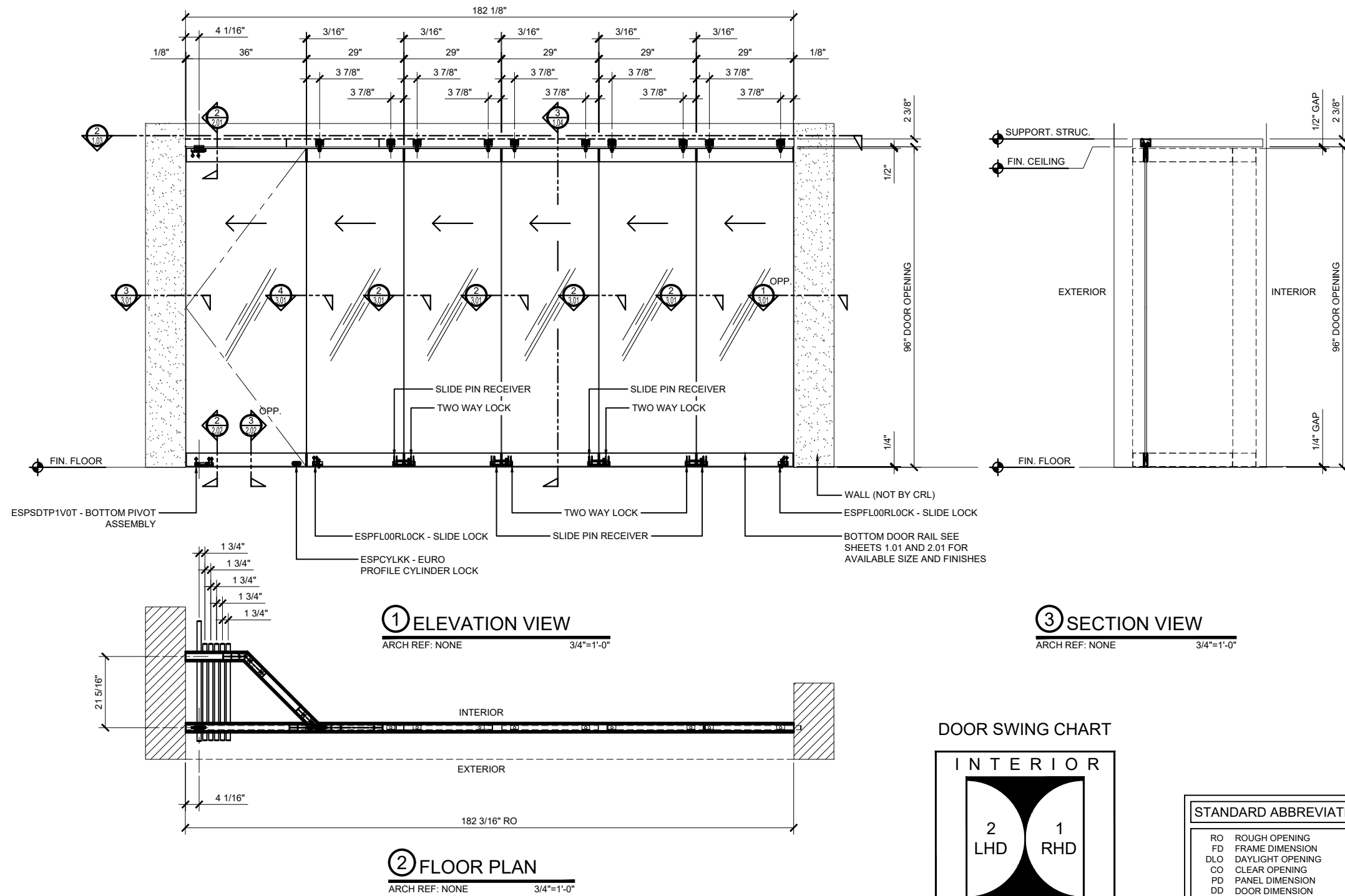
Revisions By:

A CRH COMPANY
2653 E. Vernon Avenue, Los Angeles, CA 90058-1987
PH: (800)-421-0144 FX: 800-587-7501 www.crlusa.com

Description:
CRL SPS STACKING
PARTITION SYSTEM
EASY SLIDE
FOR 1/2" & 3/8" GLASS

Drawn By: TGM
Date: 01/30/2019
Scale: AS NOTED
File Name:
SPS_Easy_Slide_Stck_Partn_Sys.dwg

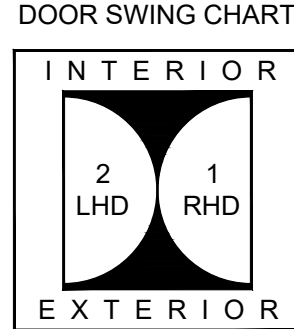
CRL SPS SERIES - STACKING PARTITION SYSTEM
EASY SLIDE - PERPENDICULAR PIVOT CONFIGURATION



① ELEVATION VIEW
 ARCH REF: NONE 3/4"=1'-0"

③ SECTION VIEW
 ARCH REF: NONE 3/4"=1'-0"

② FLOOR PLAN
 ARCH REF: NONE 3/4"=1'-0"



STANDARD ABBREVIATIONS	
RO	ROUGH OPENING
FD	FRAME DIMENSION
DLO	DAYLIGHT OPENING
CO	CLEAR OPENING
PD	PANEL DIMENSION
DD	DOOR DIMENSION
TL	TRACK LENGTH

Revisions By:



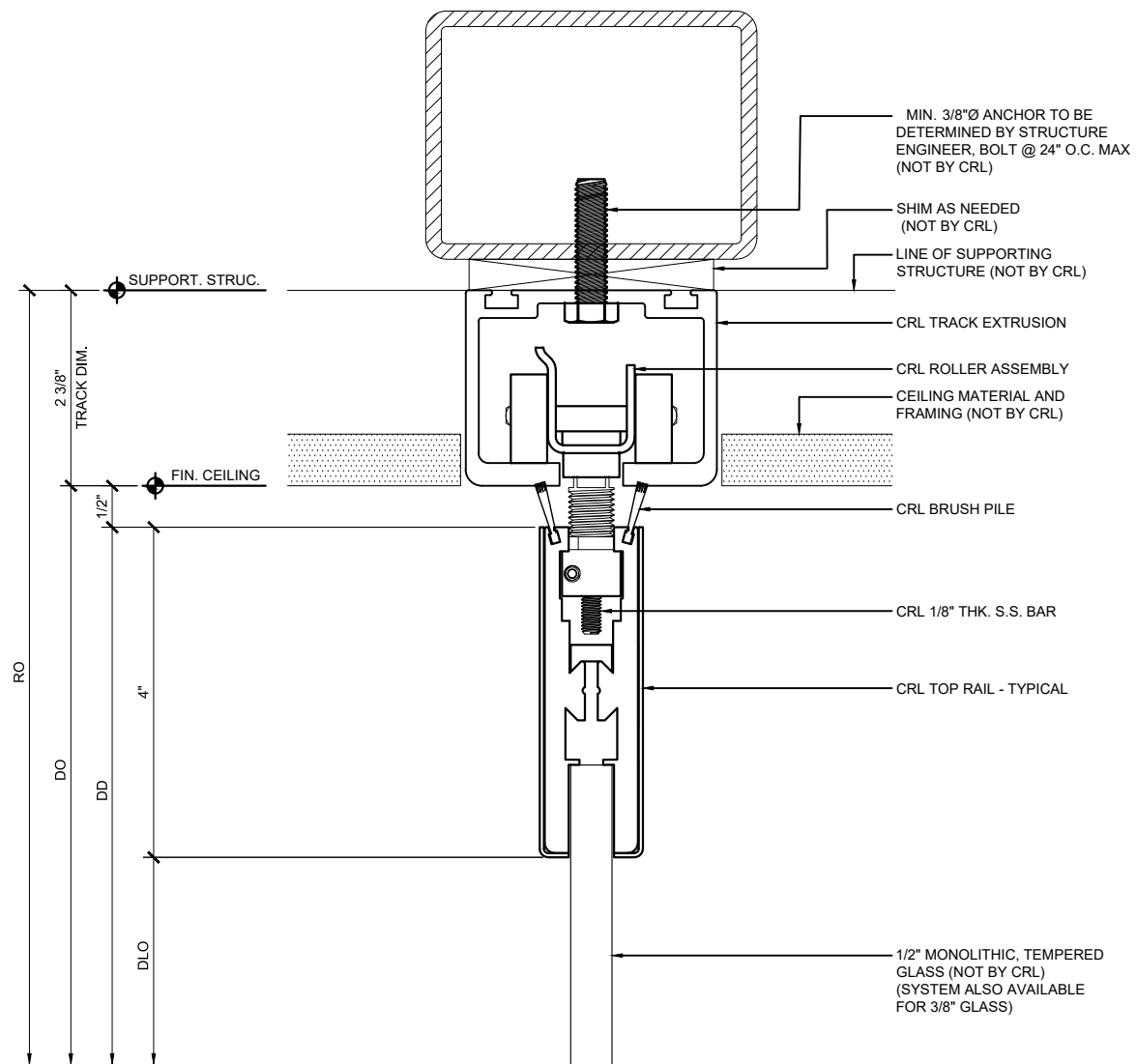
A CRH COMPANY
 2653 E. Vernon Avenue, Los Angeles, CA 90058-1987
 PH: (800)-421-0144 FX: 800-587-7501 www.crlaluminum.com

Description:
 CRL SPS STACKING
 PARTITION SYSTEM
 EASY SLIDE
 FOR 1/2" & 3/8" GLASS

Drawn By: TGM
 Date: 01/30/2019
 Scale: AS NOTED
 File Name:
 SPS_Easy_Slide_Stck_Partn_Sys.dwg

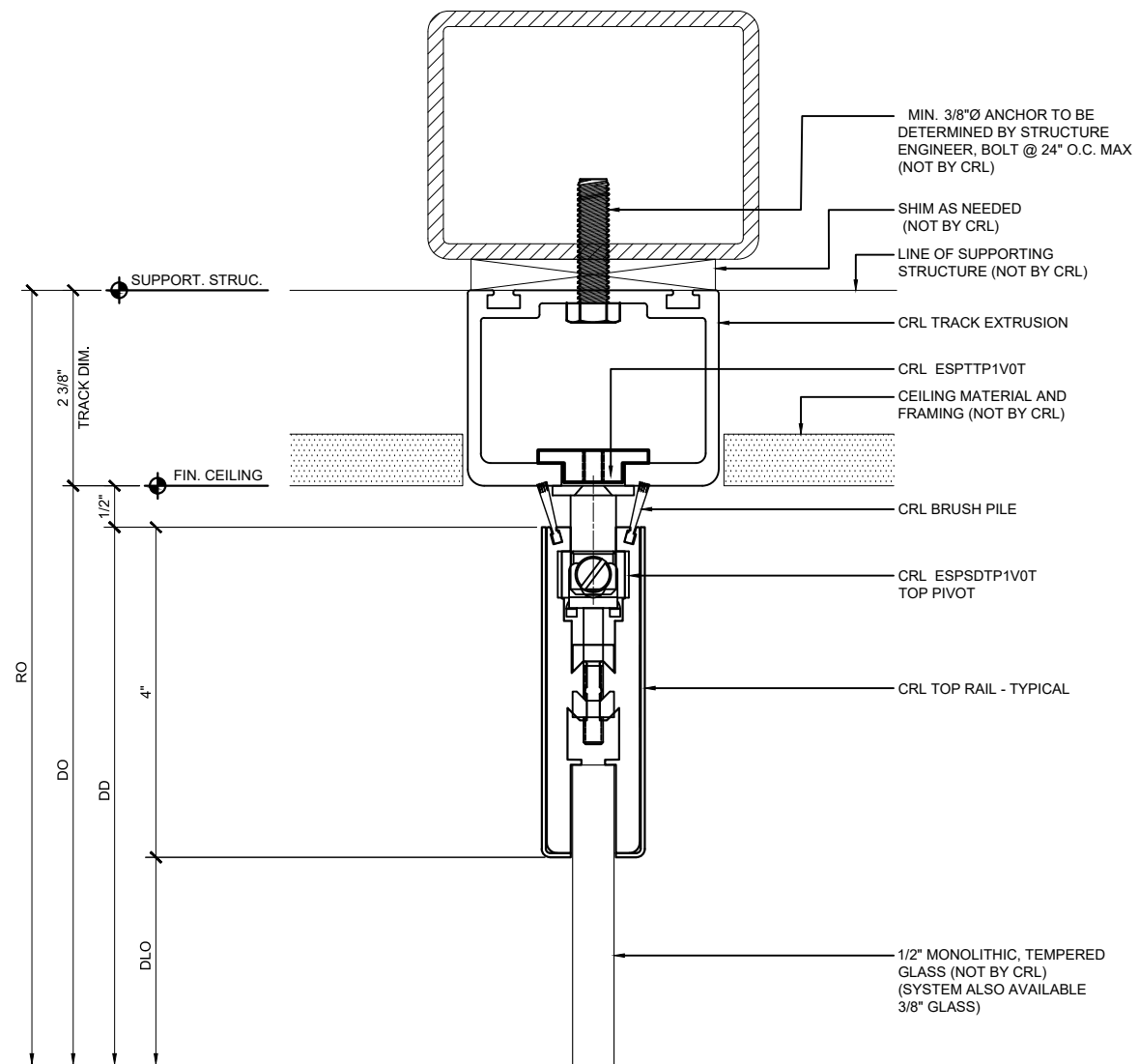
Sheet

1.04



① DOOR HEAD - TYPICAL ATTACHMENT - AT ROLLER ASSEMBLY

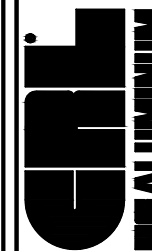
1'-0"=1'-0"



② DOOR HEAD - SWING DOOR - AT PIVOT

1'-0"=1'-0"

Revisions By:



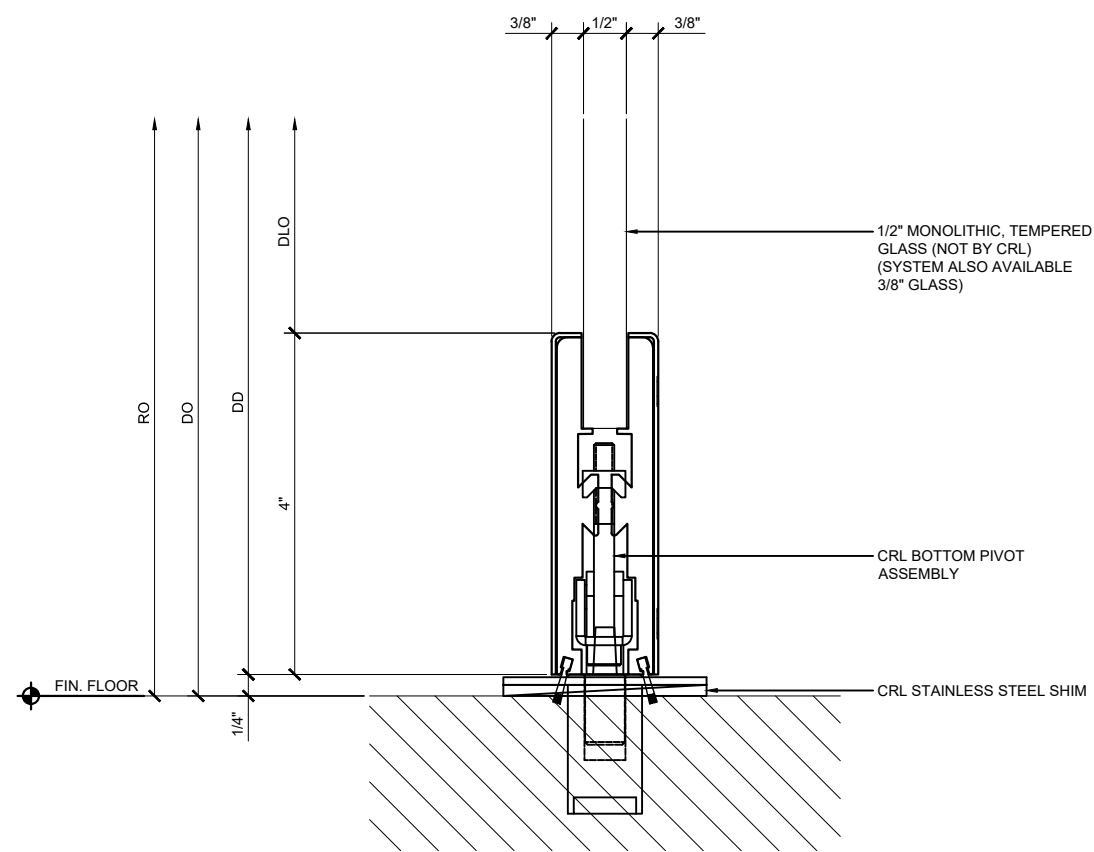
A CRL COMPANY
2663 E. Vernon Avenue, Los Angeles, CA 90058-1987
PH: (800)-421-0114 FX: 800-587-7501 www.crlusa.com

Description:
CRL SPS STACKING
PARTITION SYSTEM
EASY SLIDE
FOR 1/2" & 3/8" GLASS

Drawn By: TGM
Date: 01/30/2019
Scale: AS NOTED
File Name:
SPS_Easy_Slide_Stck_Partn_Sys.dwg

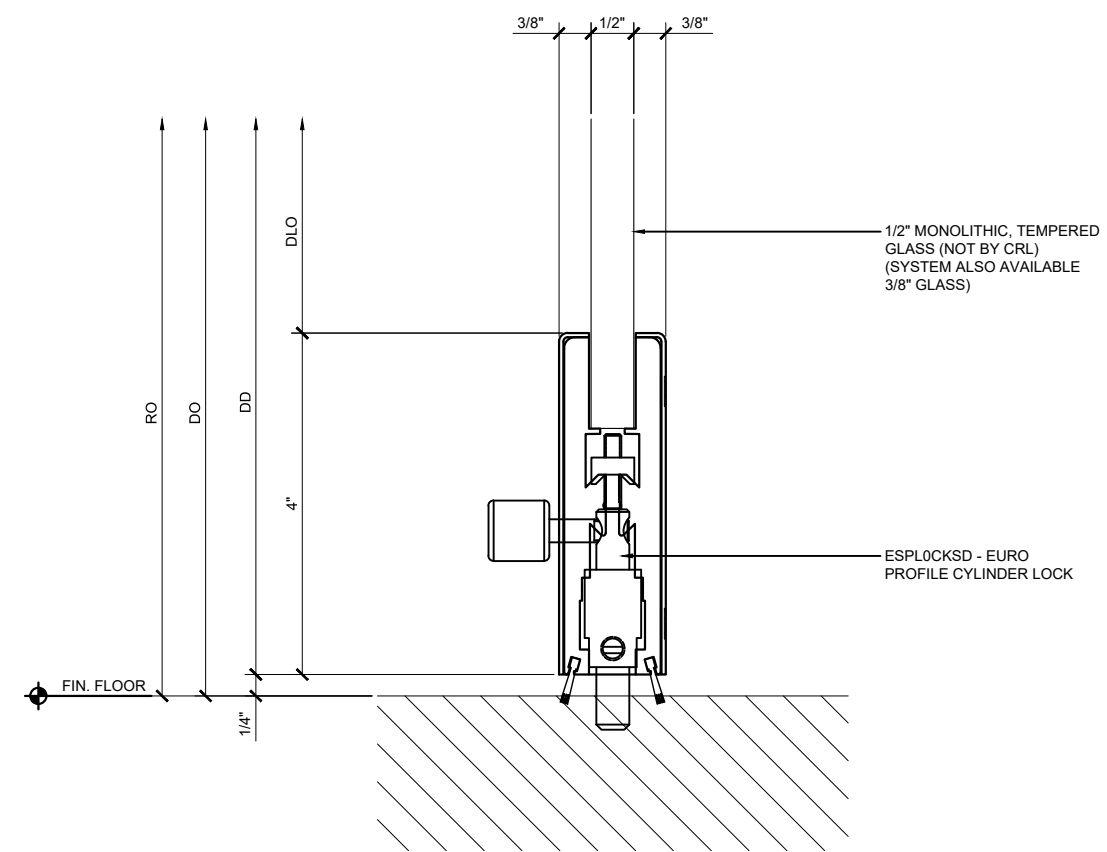
Sheet

2.01



① DOOR SILL - SWING DOOR - AT PIVOT

1'-0"=1'-0"



② DOOR SILL - SLIDING PANEL - AT SLIDE LOCK

1'-0"=1'-0"

Revisions By:



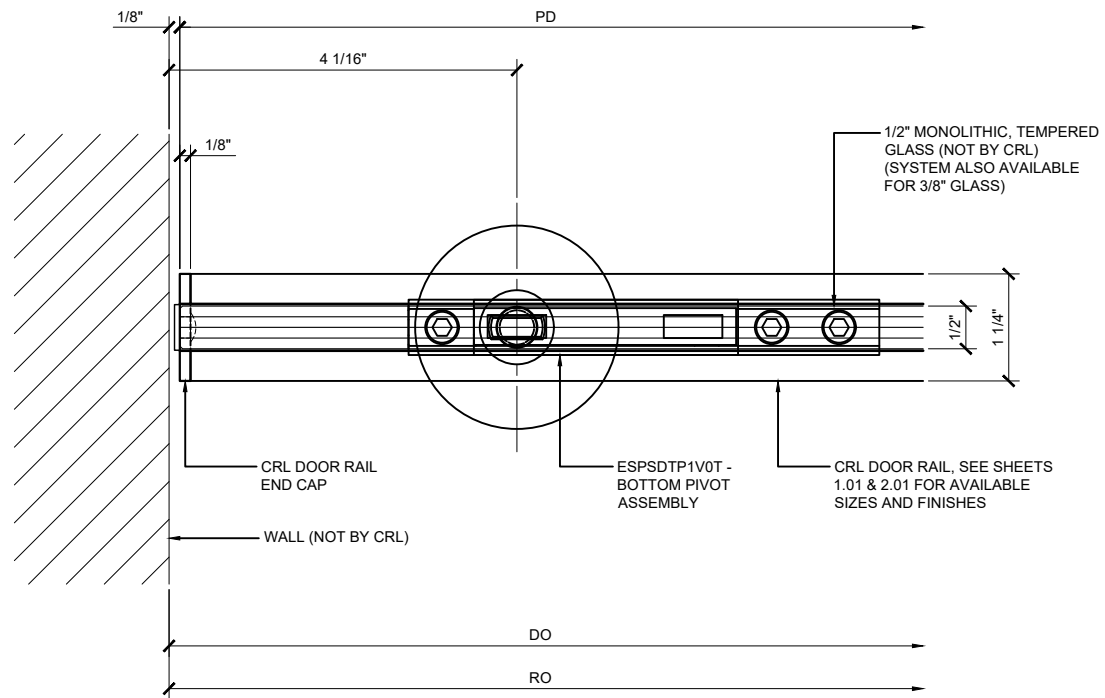
A CRL COMPANY
2653 E. Vernon Avenue, Los Angeles, CA 90058-1887
PH: (800)-421-0114 / FX: 800-587-7501 / www.crlusa.com

Description:
CRL SPS STACKING
PARTITION SYSTEM
EASY SLIDE
FOR 1/2" & 3/8" GLASS

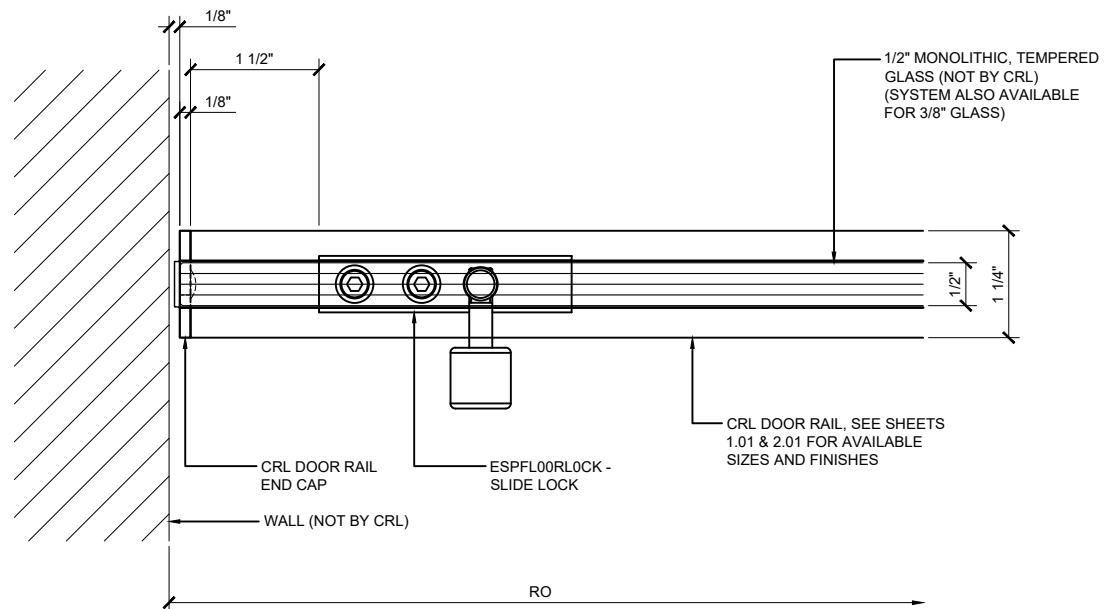
Drawn By: TGM
Date: 01/30/2019
Scale: AS NOTED
File Name:
SPS_Easy_Slide_Stck_Partn_Sys.dwg

Sheet

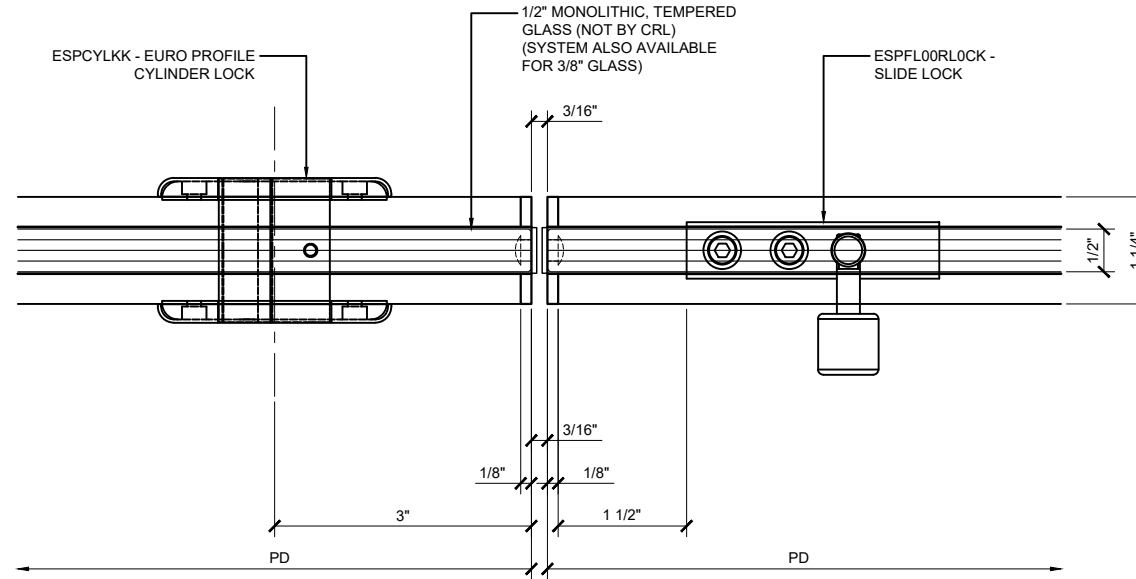
2.02



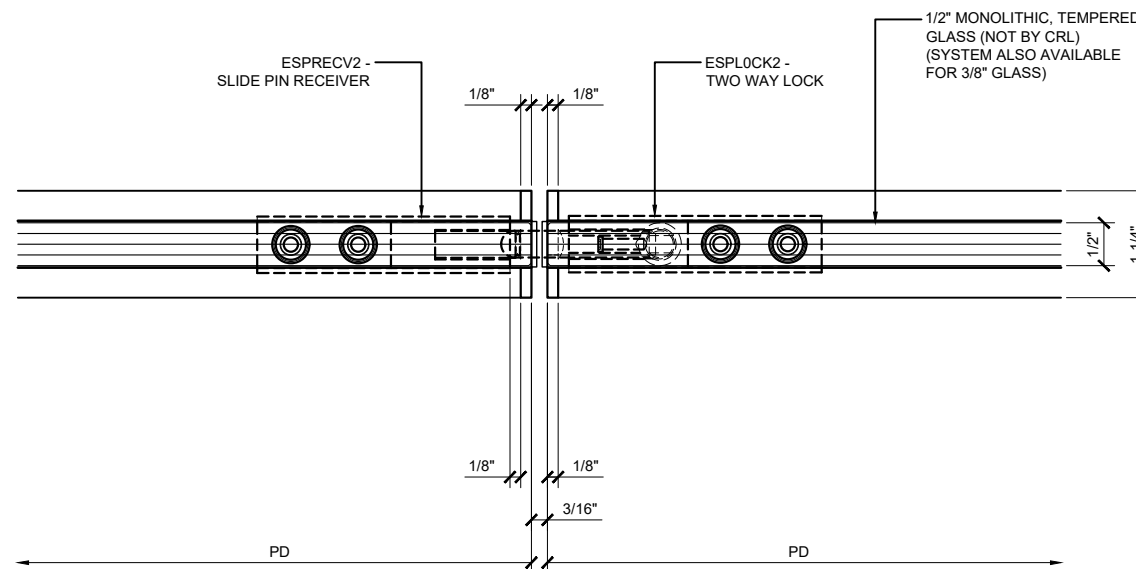
③ DOOR JAMB - AT PIVOT
1'-0"=1'-0"



① DOOR JAMB - AT PIVOT
1'-0"=1'-0"



④ SLIDING PANELS - AT EURO PROFILE CYLINDER & TWO WAY LOCK
1'-0"=1'-0"



③ SLIDING PANELS - AT SLIDE PIN RECEIVER & TWO WAY LOCK
1'-0"=1'-0"

Revisions By:



A CRH COMPANY
2663 E. Vernon Avenue, Los Angeles, CA 90058-1887
PH: (800)-421-0114 FX: 800-587-7501 www.crlusa.com

Description:
CRL SPS STACKING
PARTITION SYSTEM
EASY SLIDE
FOR 1/2" & 3/8" GLASS

Drawn By: TGM
Date: 01/30/2019
Scale: AS NOTED
File Name:
SPS_Easy_Slide_Stck_Partn_Sys.dwg

Sheet

3.01