



# INSTALLATION INSTRUCTIONS

[crlaurence.com](http://crlaurence.com)

# KLARITY INTERIOR PARTITION SYSTEM



NOTE: Shown with optional CRL375 Sliding Door hardware.

## TABLE OF CONTENTS

SYSTEM LIMITATIONS .....	2
GLASS FABRICATION .....	2
PARTS LIST .....	3
Glass Clamps .....	3
Flange Covers .....	3
Bottom Rail Parts .....	3
Klarity 7' Posts .....	3
Klarity 6' Posts .....	3
Klarity 5' Posts .....	3
TYPICAL CONFIGURATIONS .....	4
OPTIONAL CONFIGURATIONS .....	4
POST MOUNTING OPTIONS .....	5
POST INSTALLATION .....	5
BOTTOM RAIL INSTALLATION .....	6
FLANGE COVER INSTALLATION .....	6
GLASS CLAMP INSTALLATION .....	7
GLASS INSTALLATION .....	8

**IMPORTANT: READ THIS MANUAL THOROUGHLY BEFORE BEGINNING INSTALLATION**

## SYSTEM LIMITATIONS

Designed for Interior Applications. Not for use in guardrail applications where there is a difference of 30 inches or greater between two upper and lower floor surfaces.

Maximum Spacing Between Posts: 54" (1372 mm)

## GLASS FABRICATION

### Fixed Lite and Sidelite Glass

1/2" (12 mm) thick fully tempered glass with exposed edges polished.

9/16" (14 mm) thick laminated glass.

Panel Height = Overall Height minus 2" (51 mm)

Maximum Height: 12" (305 mm) above top of post.

Panel Width = post to post centerline minus 3/4" (19 mm)

Maximum Width: 60" (1524 mm)

### Sliding Door Glass

3/8" (10 mm) thick fully tempered glass with exposed edges polished.

Maximum Height: 84" (2134 mm)

Maximum Width: 40" (1016 mm)

**NOTE:** See Installation Instructions for CRL375 Sliding System for additional information.

### Swinging Door Glass

1/2" (12 mm) thick fully tempered glass with exposed edges polished.

Maximum Height: 84" (2134 mm)

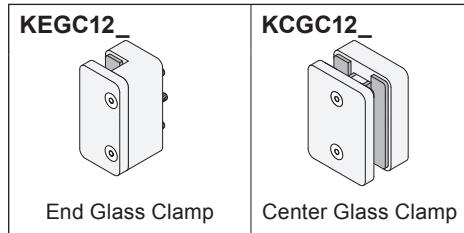
Maximum Width: 36" (914 mm)

**NOTE:** See Installation Instructions for FH4BSS Floating Header and PH20C for additional information.

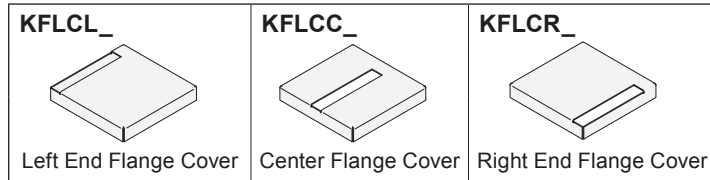
## PARTS LIST

All parts ordered individually as needed.

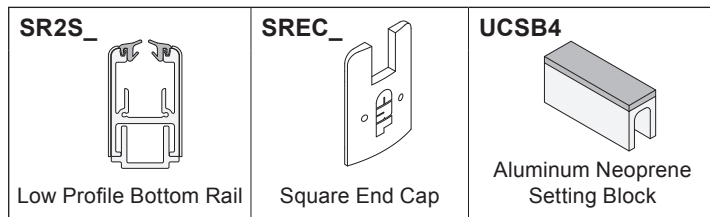
### Glass Clamps



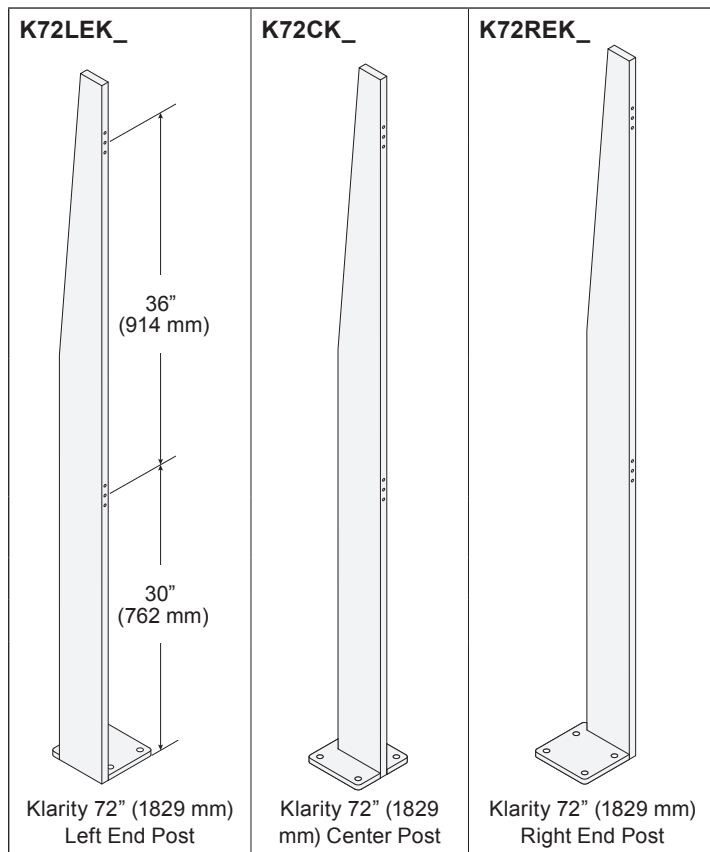
### Flange Covers



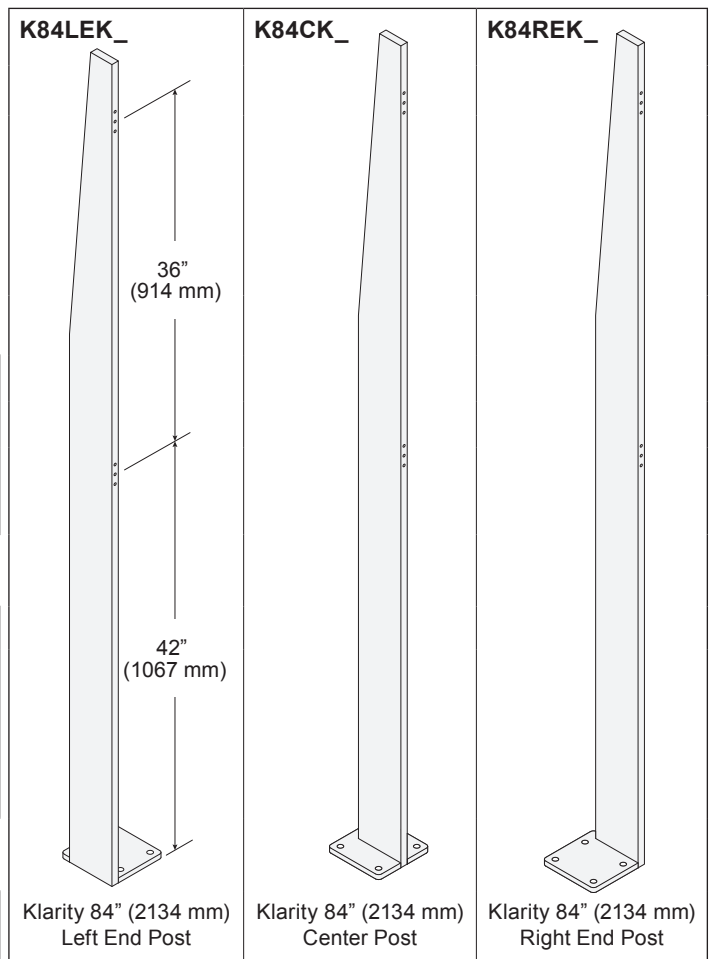
### Bottom Rail Parts



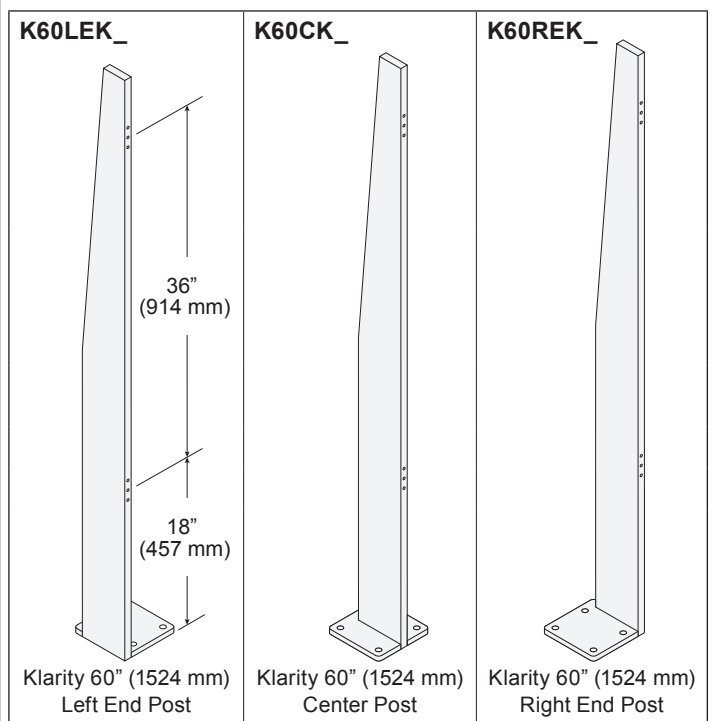
### 6' Posts



### 7' Posts

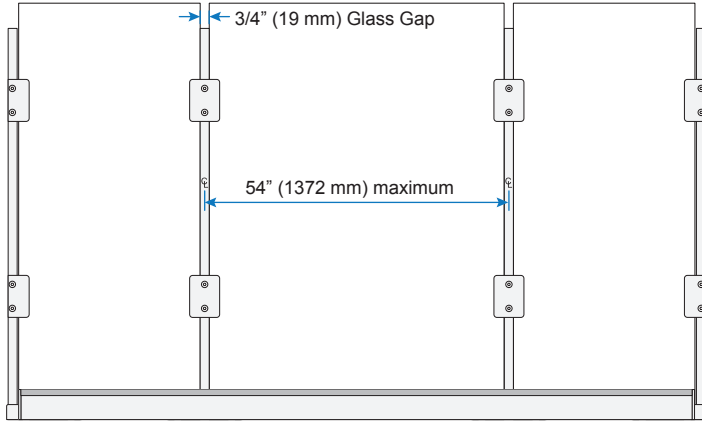


### 5' Posts

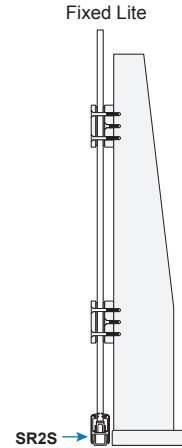
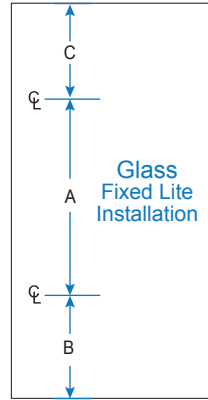


# TYPICAL CONFIGURATIONS

## Fixed Lites



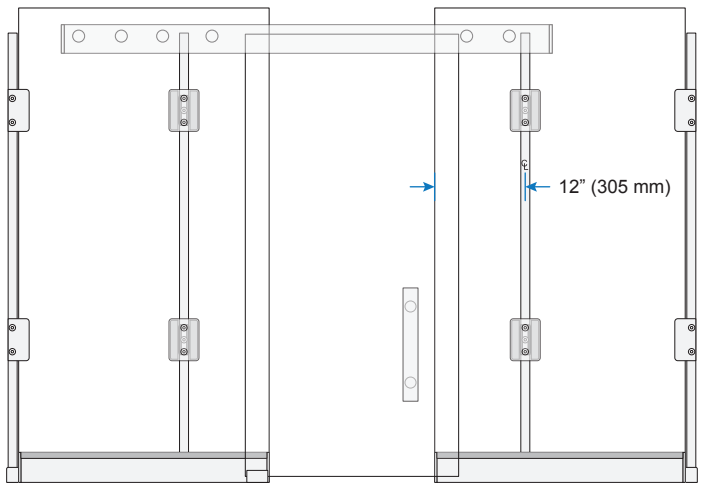
A = 36" (914 mm)  
 B = 16", 28" or 42" (406, 711 or 1016 mm) based on post selection. See Page 2.  
 C = Maximum 12" (305mm) above top of post.



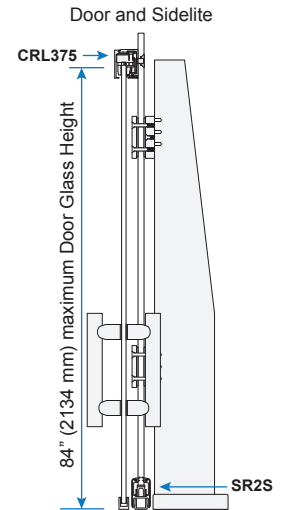
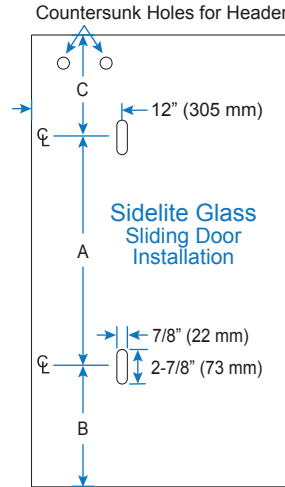
# OPTIONAL CONFIGURATIONS

## Sliding Door with Sidelites

Using CRL375 Sliding System (Sold Separately)

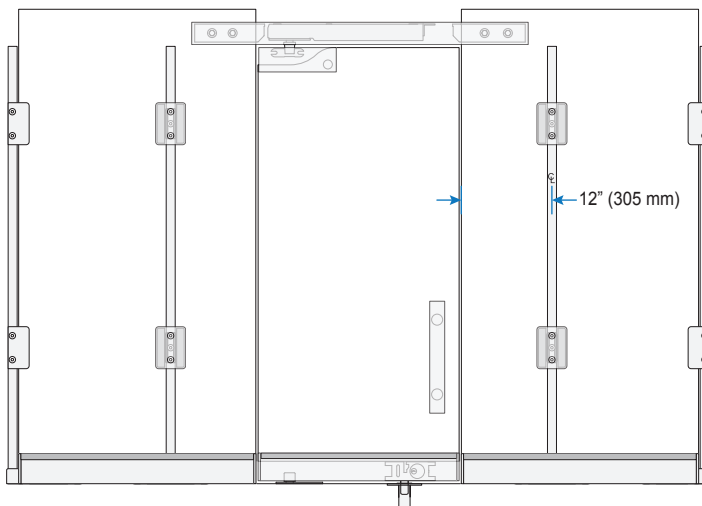


A = 36" (914 mm)  
 B = 16", 28" or 42" (406, 711 or 1016 mm) based on post selection. See Page 2.  
 C = Maximum 12" (305mm) above top of post.

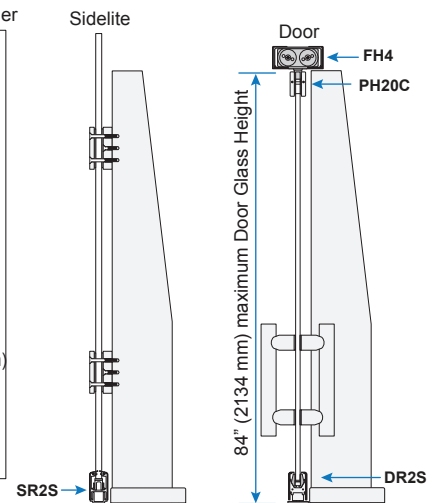
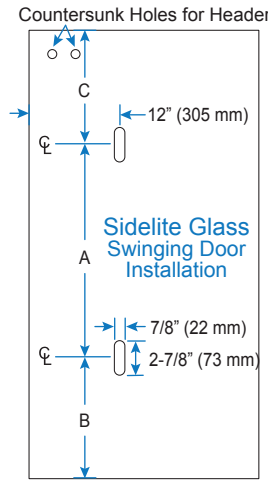


## Swing Door with Sidelites

Using CRL FH4BSS Floating Header and Door Hardware (Sold Separately)

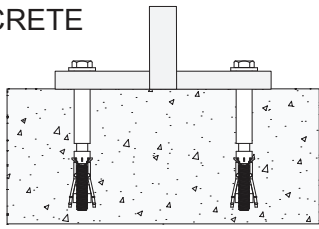


A = 36" (914 mm)  
 B = 16", 28" or 42" (406, 711 or 1016 mm) based on post selection. See Page 2.  
 C = Maximum 12" (305mm) above top of post.



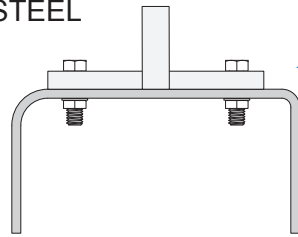
# POST MOUNTING OPTIONS

CONCRETE



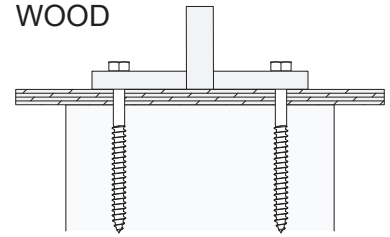
(4) EBA334 3/8" x 3-7/8"  
Concrete Anchors per Plate

STEEL



(4) SHCS12 x 34  
Cap Screws per Plate

WOOD

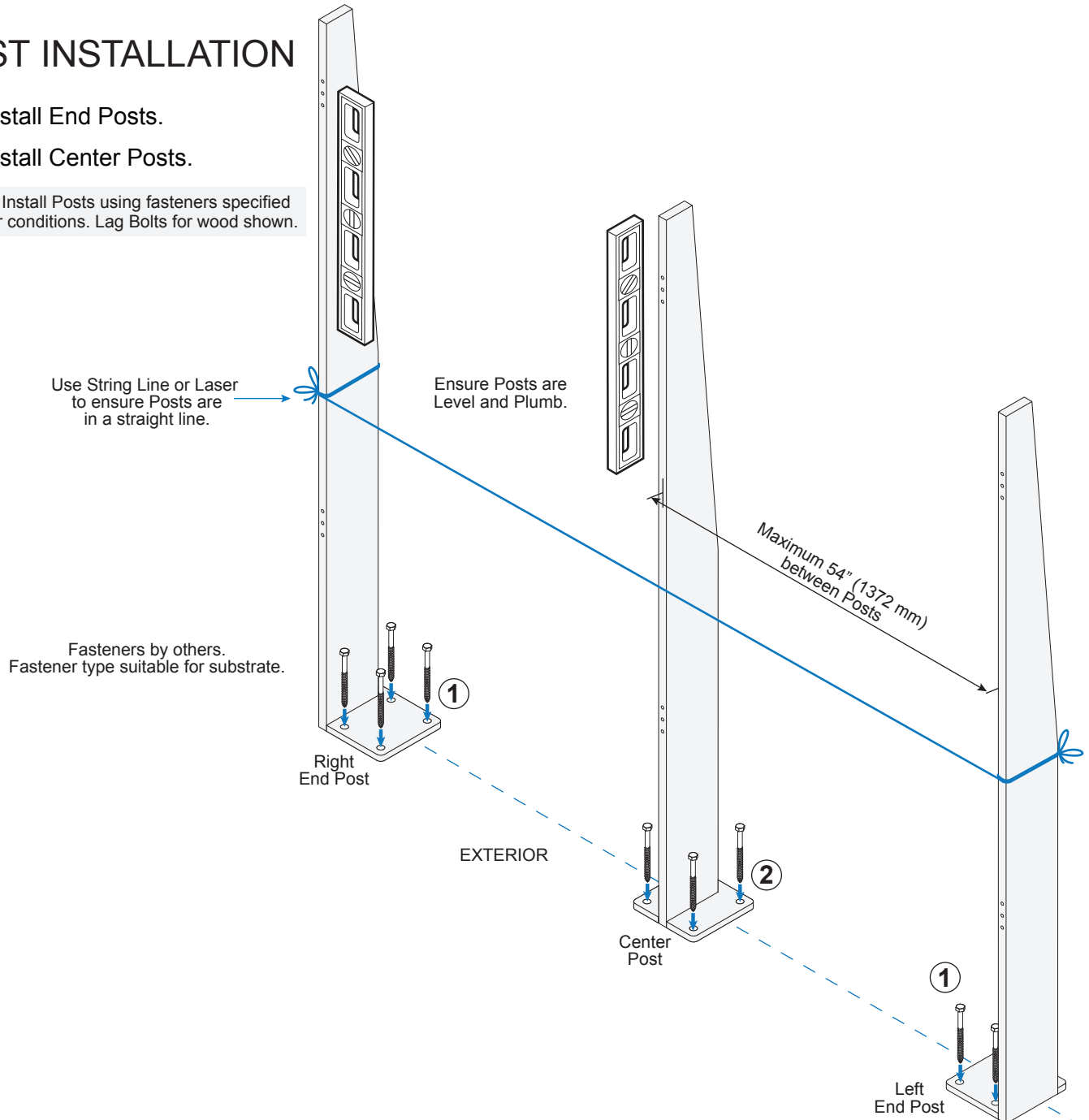


(4) LB600  
Lag Bolts per Plate

# POST INSTALLATION

- ① Install End Posts.
- ② Install Center Posts.

NOTE: Install Posts using fasteners specified for your conditions. Lag Bolts for wood shown.

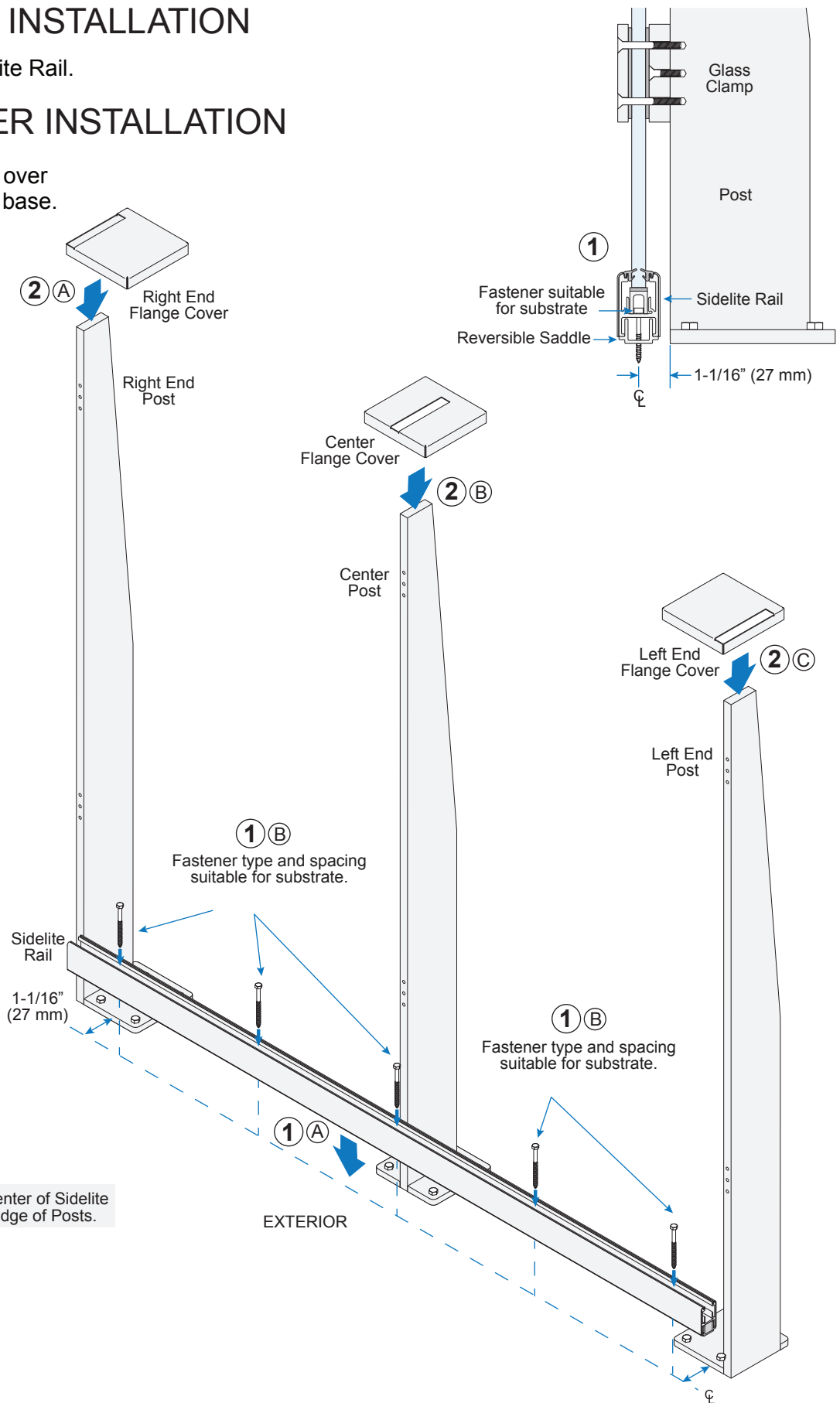


# BOTTOM RAIL INSTALLATION

- 1 Install Bottom Sidelite Rail.

# FLANGE COVER INSTALLATION

- 2 Slide Flange Cover over top of post down to base.



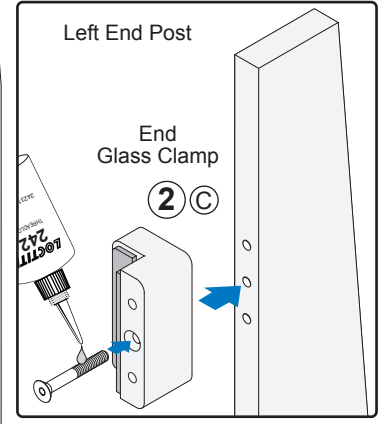
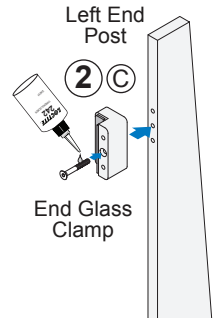
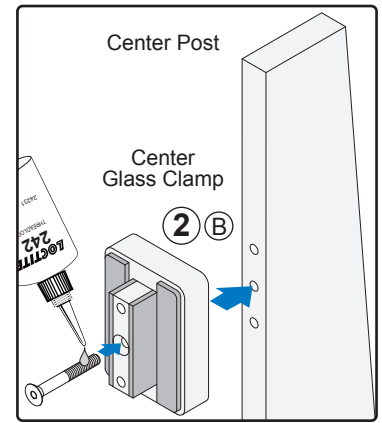
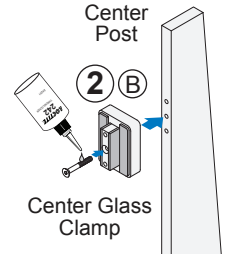
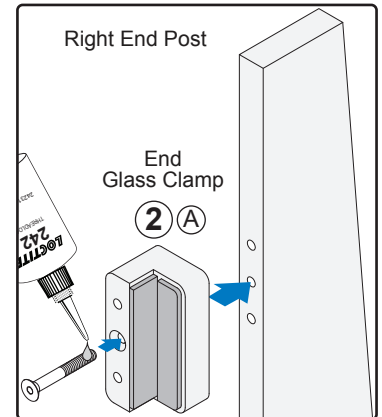
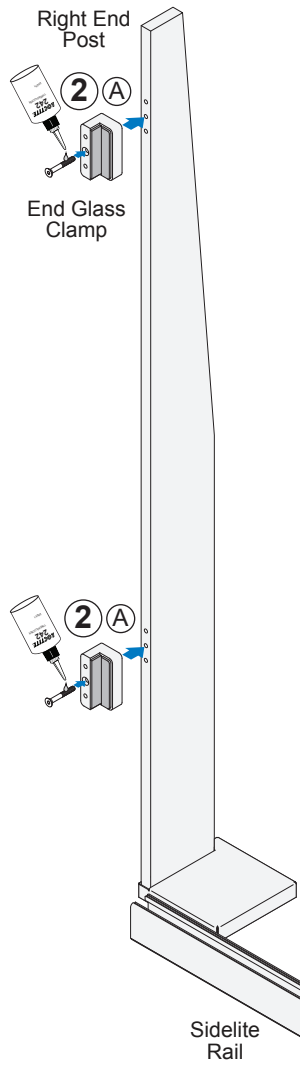
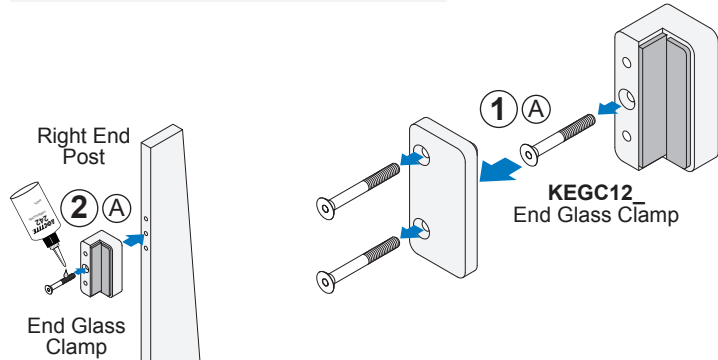
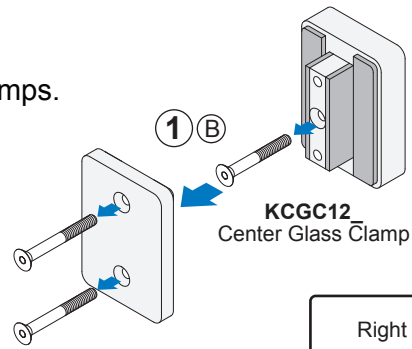
NOTE: Position Center of Sidelite Rail 1-1/16" from edge of Posts.

EXTERIOR

# GLASS CLAMP INSTALLATION

- ① Unpack and remove Clamping Plates from Glass Clamps.
- ② Install Glass Clamps on Posts.

NOTE: Orient End Glass Clamps with glass pocket facing glass when attaching to posts.

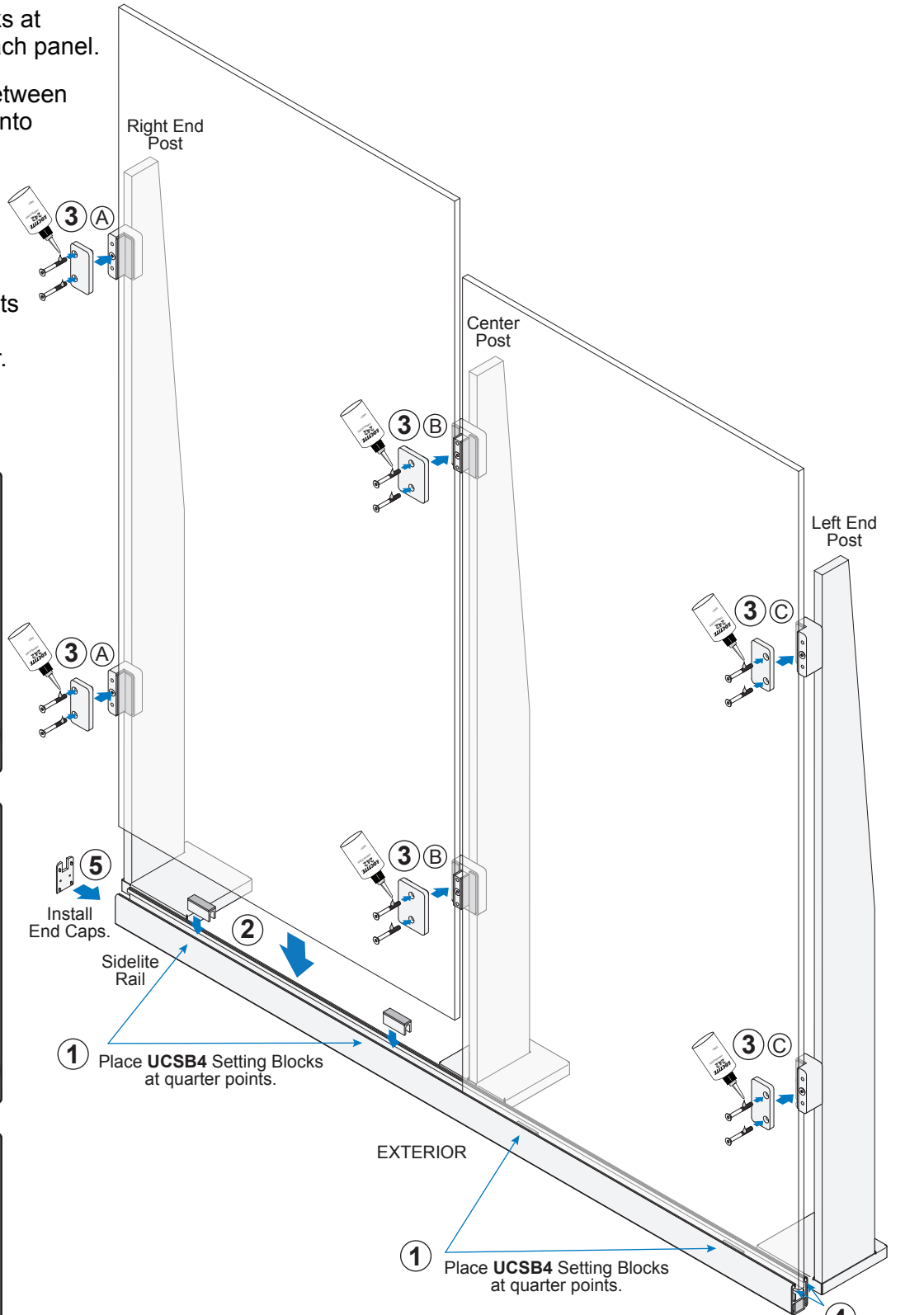
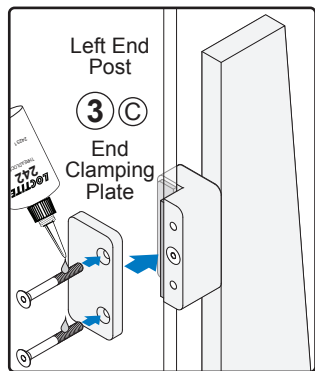
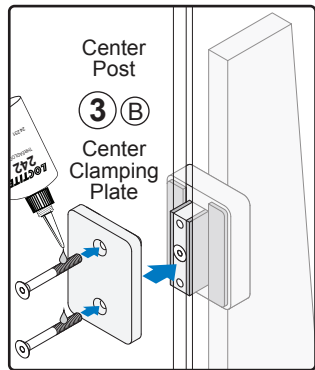
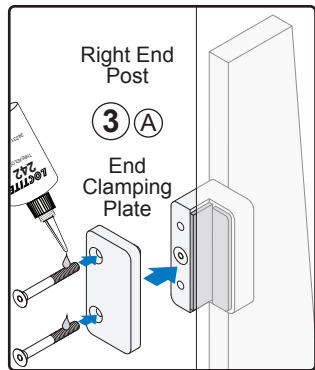


EXTERIOR

\* NOTE: Loctite® (CRL Cat. No. 24231) is recommended on all screw threads during final assembly.

# GLASS INSTALLATION

- 1 Place Setting Blocks at quarter points of each panel.
- 2 Fit Glass Panels between Clamps and lower into Bottom Rail.
- 3 Install Clamping Plates to secure glass in position.
- 4 Roll Glazing Gaskets into Bottom Rail at interior and exterior.
- 5 Install End Caps at Bottom Rail.



\* NOTE: Loctite® (CRL Cat. No. 24231) is recommended on all screw threads during final assembly.

4 Install Glazing Gaskets.  
5 Install End Caps.